

Alpha b: \*''''

6;@ b: !ADB  
5a` fcb^Vd



AQUAfast, Cahn, ionplus, KNIpHE, No Cal, ORION, perpHect, PerpHecT, PerpHecTion, pHISA, pHuture, Pure Water, Sage, Sensing the Future, SensorLink, ROSS, ROSS Ultra, Sure-Flow, Titrator PLUS and TURBO2 are registered trademarks of Thermo Fisher.

1-888-pHAX-ION, A+, All in One, Aplus, AQUAsnap, AssuredAccuracy, AUTO-BAR, AUTO-CAL, AUTO DISPENSER, Auto-ID, AUTO-LOG, AUTO-READ, AUTO-STIR, Auto-Test, BOD AutoEZ, Cable-Free, CERTI-CAL, CISA, DataCOLLECT, DataPLUS, digital LogR, DirectCal, DuraProbe, Environmental Product Authority, Extra Easy/Extra Value, FAST QC, GAP, GLPcal, GLPcheck, GLPdoc, ISEasy, KAP, LabConnect, LogR, Low Maintenance Triode, Minimum Stir Requirement, MSR, NISS, One-Touch, One-Touch Calibration, One-Touch Measurement, Optimum Results, Orion Star, Pentrode, pHuture MMS, pHuture Pentrode, pHuture Quatrode, pHuture Triode, Quatrode, QuiKcheK, rf link, ROSS Resolution, SAOB, SMART AVERAGING, Smart CheK, SMART STABILITY, Stacked, Star Navigator 21, Stat Face, The Enhanced Lab, ThermaSense, Triode, TRIUMpH, Unbreakable pH, Universal Access are trademarks of Thermo Fisher.

Guaranteed Success and The Technical Edge are service marks of Thermo Fisher.

## **Preface**

This manual serves to explain the use of the Alpha pH 800 process controller/transmitter. The manual functions in two ways, firstly as a step by step guide to help the user operate the instrument. Secondly, it serves as a handy reference guide. This instruction manual is written to cover as many anticipated applications of the Alpha pH 800 process controller/transmitter. If you have doubts in the use of the instrument, please do not hesitate to contact the nearest Authorized Distributor.

Thermo Scientific will not accept any responsibility for damage or malfunction of the unit due to improper use of the instrument.

The information presented in this manual is subject to change without notice as improvements are made, and does not represent a commitment on part of Thermo Scientific.

**Copyright ©2009 Thermo Fisher Scientific**

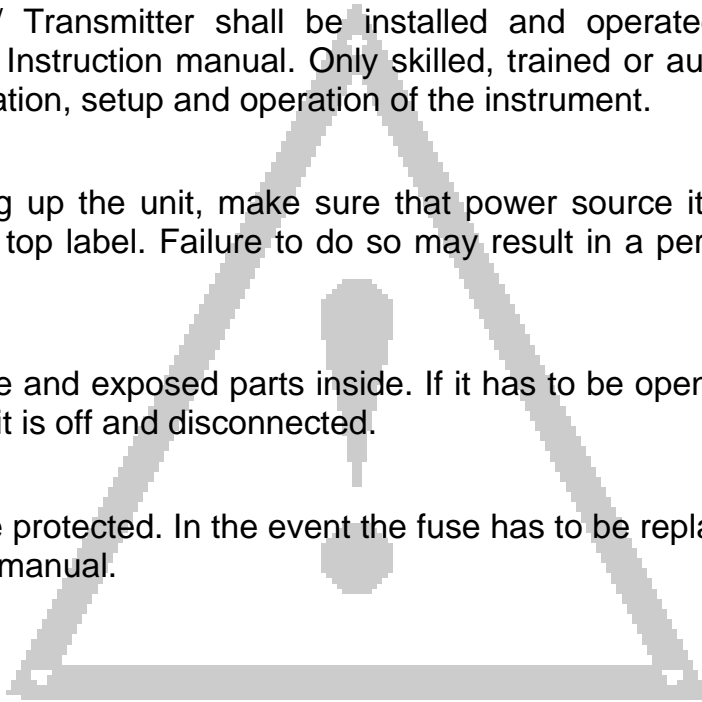
## Safety Information

This Controller/ Transmitter shall be installed and operated only in the manner specified in the Instruction manual. Only skilled, trained or authorized person should carry out installation, setup and operation of the instrument.

Before powering up the unit, make sure that power source it is connected to, is as specified in the top label. Failure to do so may result in a permanent damage to the unit.

The unit has live and exposed parts inside. If it has to be opened, make sure that the power to the unit is off and disconnected.

The unit is Fuse protected. In the event the fuse has to be replaced, use only those as specified in the manual.



# TABLE OF CONTENTS

<b>1</b>	<b>INTRODUCTION</b>	<b>1</b>
1.1	<i>Description of Unit</i> .....	1
1.2	<i>Applications</i> .....	2
<b>2</b>	<b>ASSEMBLY AND INSTALLATIONS</b>	<b>3</b>
2.1	<i>Measurement and Control System</i> .....	3
2.2	<i>Unit Dimensions</i> .....	4
<b>3</b>	<b>ELECTRICAL CONNECTIONS</b>	<b>5</b>
3.1	<i>Connection Diagram</i> .....	5
3.2	<i>Back Panel</i> .....	7
<b>4</b>	<b>OVERVIEW</b>	<b>9</b>
4.1	<i>Keypad and Display</i> .....	9
4.1.1	<i>Keypad</i> .....	9
4.2	<i>Function Groups</i> .....	11
4.3	<i>Control Concept</i> .....	11
<b>5</b>	<b>MEASUREMENT</b>	<b>12</b>
5.1	<i>Display in Measurement mode</i> .....	12
<b>6</b>	<b>CALIBRATION</b>	<b>13</b>
6.1	<i>pH Calibration</i> .....	13
6.2	<i>ORP – mV Calibration</i> .....	15
<b>7</b>	<b>ADVANCED SET UP MODE</b>	<b>16</b>
7.1	<i>Electrode Offset (OFS) sub-function</i> .....	16
7.2	<i>Setting temperature (Set °C) sub-function</i> .....	17
7.2.1	<i>Selecting automatic or manual temperature compensation</i> .....	17
7.2.2	<i>Temperature calibration (ATC mode only)</i> .....	18
7.2.3	<i>Setting manual temperature compensation</i> .....	19
7.3	<i>Control Relay A/Control Relay B (SP1/SP2) sub-function</i> .....	20
7.3.1	<i>Entering Set point 1 (Set point 2) sub-function</i> .....	20
7.3.2	<i>Selecting set point values</i> .....	20
7.3.3	<i>Choosing High or Low set points</i> .....	21
7.3.4	<i>Selecting a hysteresis (dead band) value</i> .....	22
7.3.5	<i>Setting an on-delay time lag</i> .....	23
7.3.6	<i>Setting an off-delay time lag</i> .....	24
7.4	<i>Configuration (ConF) sub-function</i> .....	25
7.4.1	<i>Entering Configuration sub-function</i> .....	25
7.4.2	<i>Selecting pH or ORP mV measurement</i> .....	26
7.4.3	<i>Reverting to factory default settings</i> .....	26
7.5	<i>Calibration (CAL) sub-function</i> .....	27
7.5.1	<i>Entering Calibration mode from Advanced Set-up mode</i> .....	27
<b>8</b>	<b>TECHNICAL SPECIFICATIONS</b>	<b>28</b>
<b>9</b>	<b>ACCESSORIES</b>	<b>29</b>
<b>10</b>	<b>GENERAL INFORMATION</b>	<b>30</b>
10.1	<i>Warranty</i> .....	30
10.2	<i>Packaging</i> .....	30
10.3	<i>Return of Goods</i> .....	30
10.4	<i>Guidelines for Returning Unit for Repair</i> .....	30
<b>11</b>	<b>APPENDICES</b>	<b>31</b>
11.1	<i>Appendix 1</i> .....	31
11.2	<i>Appendix 2</i> .....	32
11.3	<i>Appendix 3</i> .....	33





---

---

# 1 INTRODUCTION

---

---

## 1.1 *Description of Unit*

Thank you for purchasing ¼ DIN 800 series pH/ORP process controllers. This unit is used for measuring either pH or ORP parameter one at a time, and the operational mode is switchable from the menu. You can use this unit to measure pH or ORP with limit control. This controller has many user-friendly and safety features which include:

- **Menu-driven program** that simplifies set-up
- **Built-in non-volatile memory backup** to ensure that calibration and other information are not erased if power supply fails
- **Push-button two-point calibration** and **electrode offset adjustment** from the keypad
- **Automatic temperature compensation (ATC)**
- **Manual temperature compensation** setting without the ATC probe, with independent setting for calibration and process temperature
- 0 to 2000 second **time delay adjustment** on all relays – minimise false alarms
- Separately adjustable **high and low set point hysteresis** (dead bands) prevent chattering of relays around the set points
- **Asymmetrical/symmetrical** input for pH/ORP operation
- **Large dual display LCD** for easy reading with clear multiple annunciators, alarm status, operational and error messages
- **Two switching contacts as set-point triggering relays**
- **Hold** function freezes output current (**4/20mA**) and control relays
- **LED indicators** signal control activities to monitor controller status from a distance



- **Protection against electromagnetic interference** – Input and output are free from external interference

## *1.2 Applications*

Use this controller in panel mounted enclosures for applications such as water treatment and monitoring, galvanic-decontamination, chemical processing food processing, clean or waste water control and neutralisation process.

---

---

## 2 ASSEMBLY AND INSTALLATIONS

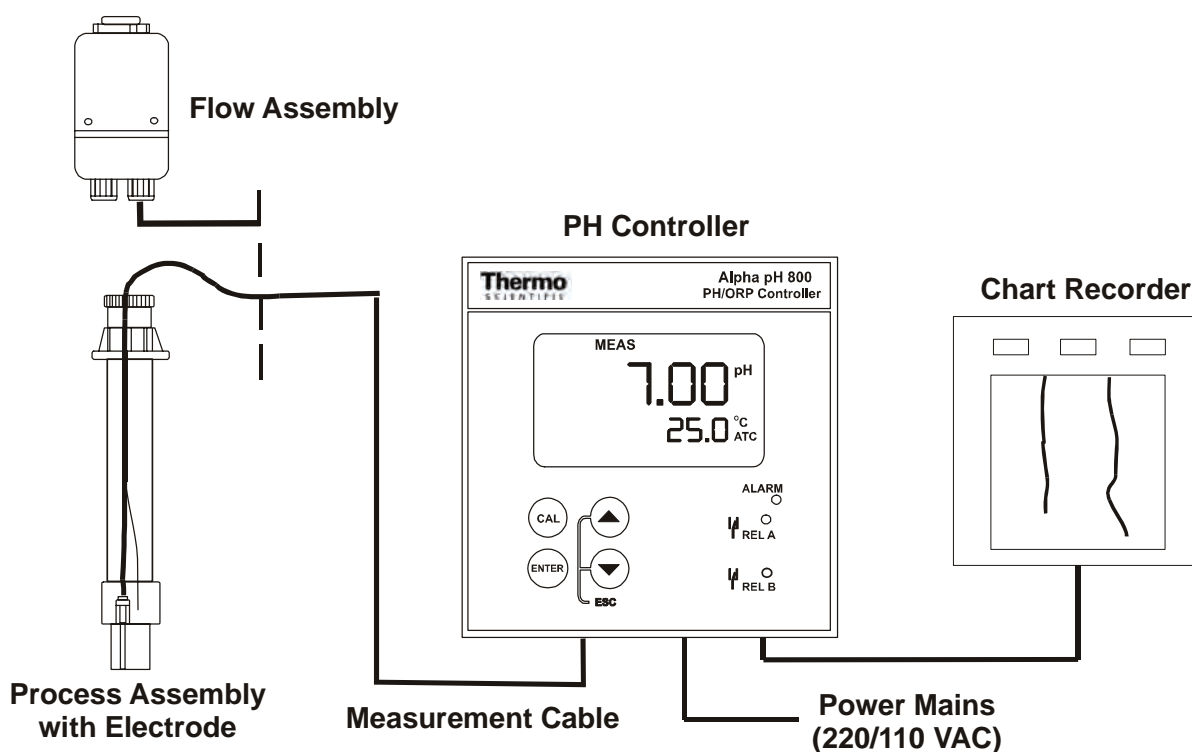
---

---

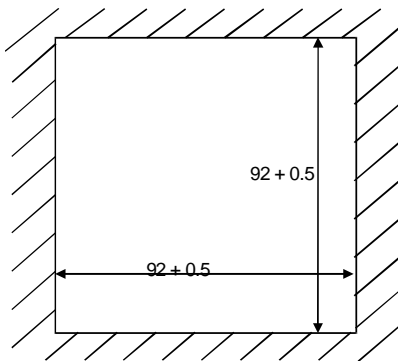
### 2.1 Measurement and Control System

A typical measurement system consists of:

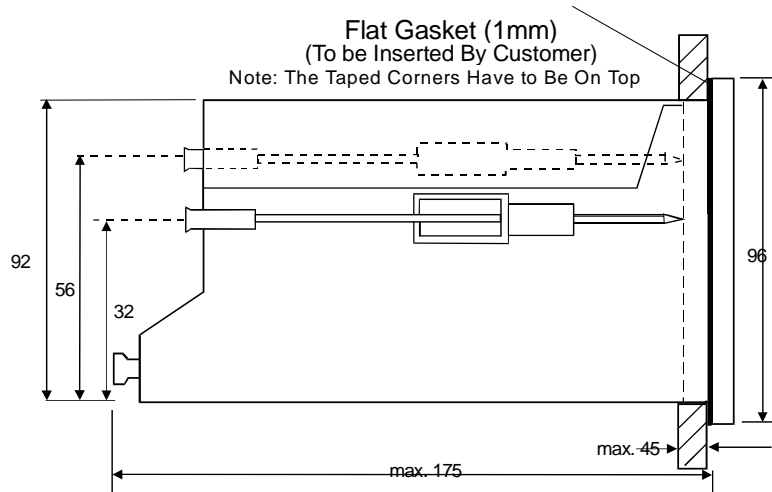
- a pH/ORP process controller
- a pH/ORP combination electrode with integrated or separate temperature sensor Pt 100/1000,
- an immersion, flow or process assembly with or without a potential matching pin (PMP)
- a final control element such as pump or valve
- a recorder



## 2.2 Unit Dimensions



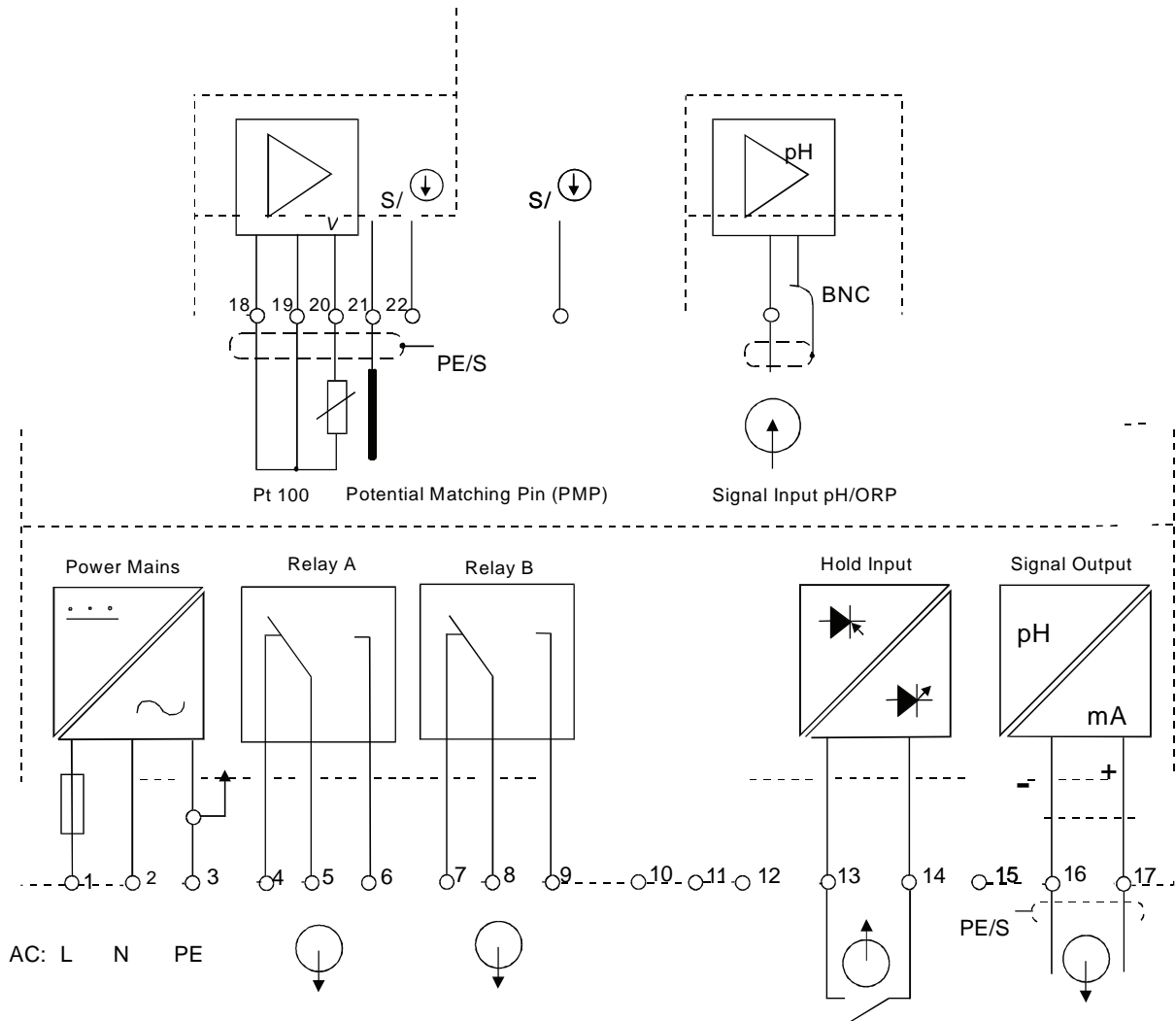
Mounting Cut-Out



The field-tested control panel housing is 96 x 96 mm; with protection class IP 54 (front).

# 3 ELECTRICAL CONNECTIONS

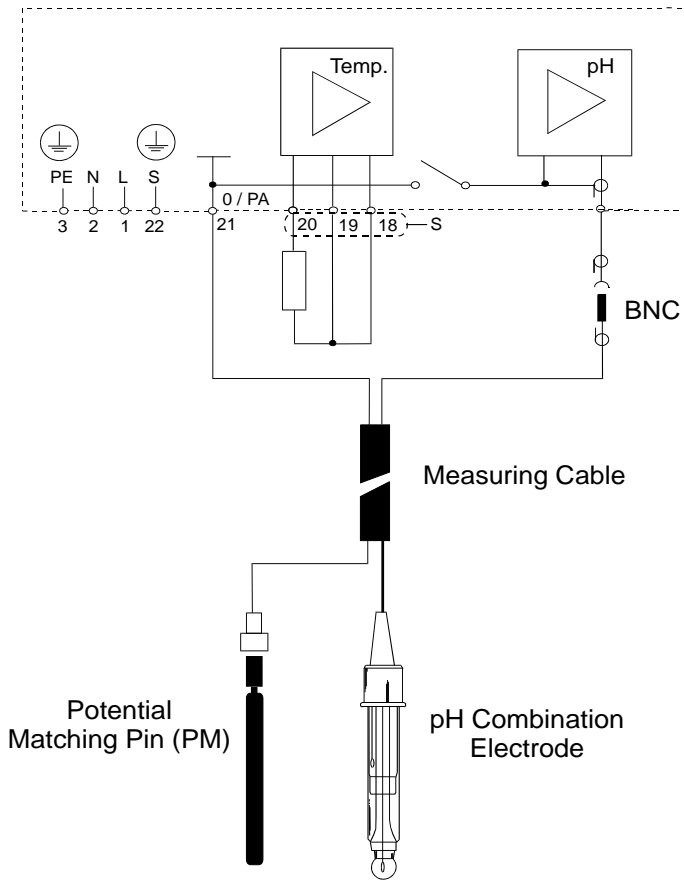
## 3.1 Connection Diagram



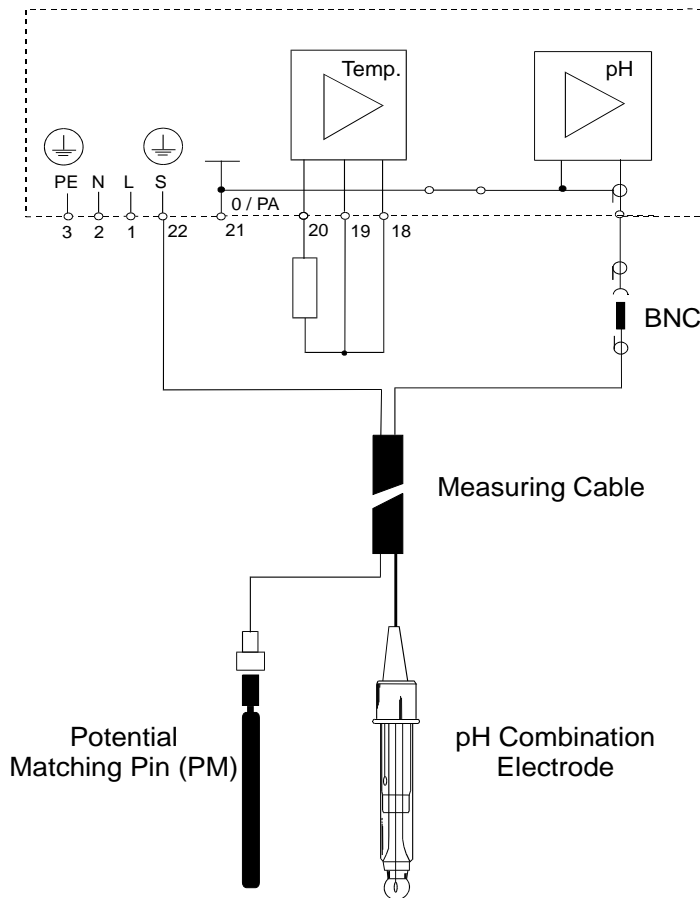
\*) indicated contact positions are for currentless conditions



**ENSURE** that the power cable is physically separated from the power supply.



Symmetrical high-impedance connections



Asymmetrical connections

### 3.2 Back Panel

The back panel consists of two connectors. The first connector is the 17-way PCB edge connector and the other is the 5-way connector.



**ENSURE** that the power cable is physically separated from the power supply.

Connection for the 17-way screw terminals (from left to right):

- |  |                                    |
|--|------------------------------------|
| 1.AC mains live wire                   | 10.No connection                   |
| 2.AC mains neutral wire                | 11.No connection                   |
| 3.AC mains protective earth wire       | 12.No connection                   |
| 4.Low set relay resting position (NC)  | 13.Hold function switch terminal 1 |
| 5.Low set relay common                 | 14.Hold function switch terminal 2 |
| 6.Low set relay working position (NO)  | 15.No connection                   |
| 7.High set relay resting position (NC) | 16.4 - 20 mA for -ve connection    |
| 8.High set relay common                | 17.4 - 20 mA for +ve connection    |
| 9.High set relay working position (NO) |                                    |

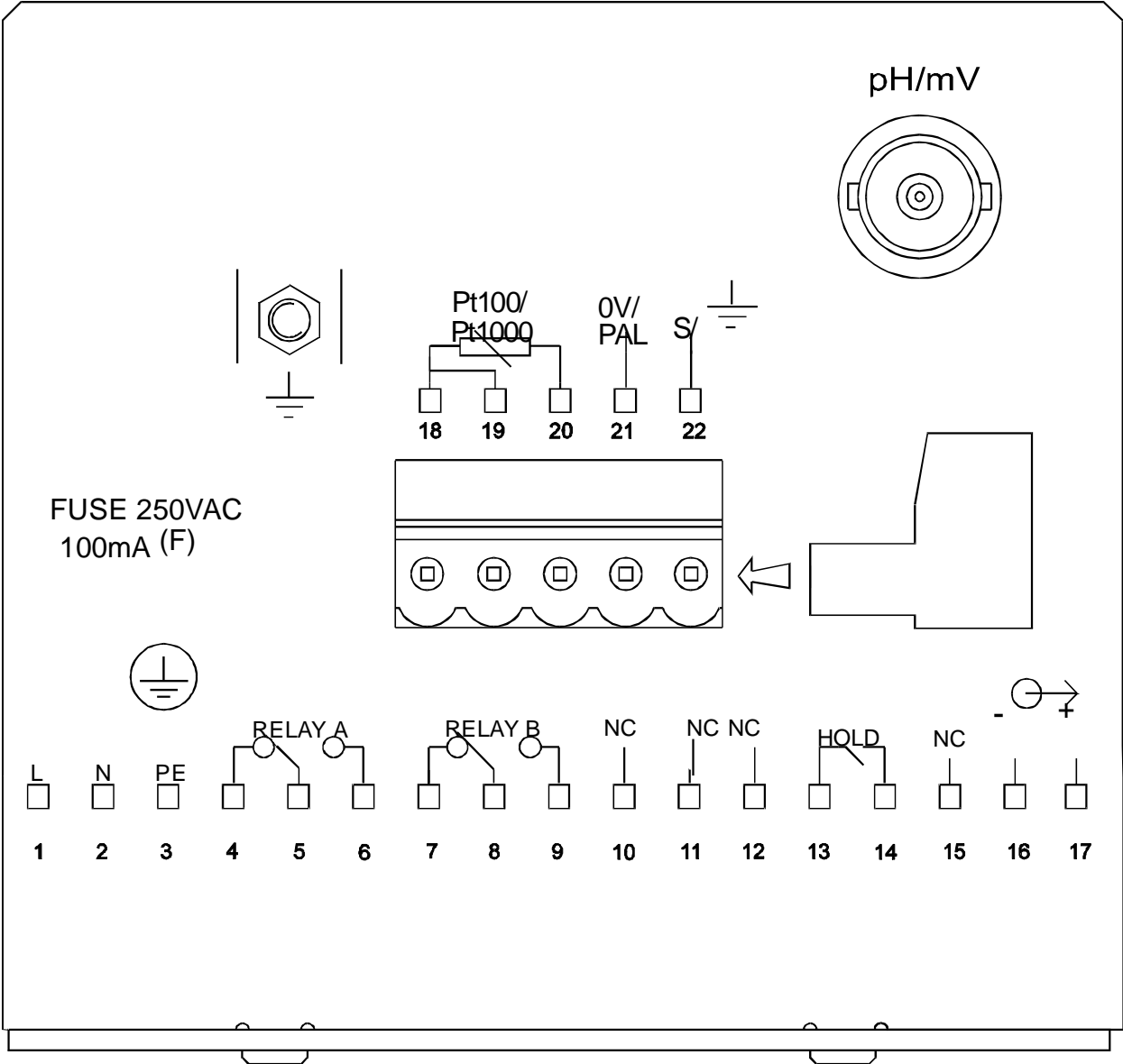
Connections for the 5-way screw terminals:

- 18. Pt100/Pt1000 lead 1 terminal
- 19. Pt100/Pt1000 sense lead terminal
- 20. Pt100/Pt1000 lead 2 terminal

Note: If using a two-wire RTD, short terminal 19 to terminal 18.

Pt 100/Pt 1000 is selectable via an internal jumper. Factory default is Pt100. See Appendix 1 for directions on switching the RTD type.

- 21. pH/ORP (potential matching pin)
- 21. pH/ORP (shield)



---

---

## 4 OVERVIEW

---

---

### 4.1 Keypad and Display

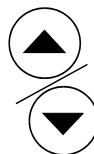
#### 4.1.1 Keypad



- Perform rapid 2-point calibration and view electrode status



- Allows entry to Set up mode
- Select individual functions within the function group of Set up mode
- Store input data in the **Set up** mode
- Start calibration in the calibration mode



- Select various function groups in the Set up mode.
- Set parameters and numerical values in sub functions of **Set up** mode

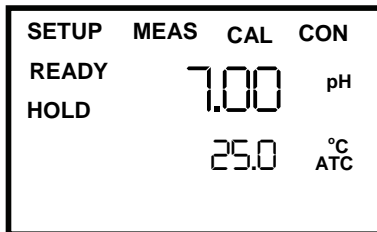
If pressed continuously, the setting speed increases

- Return to the Measurement mode when both keys are pressed together



## 4.1.2 Display

The LCD display features two numerical displays that show status messages and measured values for easy, quick reference. The display provides short-text information for setting parameters and configuration.



- **MEAS:** Measurement mode
- **SETUP:** Set-up mode of function groups
- **CAL:** Calibration mode of pH/ORP
- **READY:** Comes on after a successful calibration
- **HOLD:** Relay position and current output are frozen
- **ATC:** Comes on in the ATC mode. Disappears in the Manual temperature Compensation mode.  
“ATC” flashes if the temperature probe is faulty in its ATC mode



- Display for RELAY A/B. Green LED indicates measured value within limit while RED LED indicates measured value outside limit.



- Alarm display if limit value overshoot or the ATC probe fails.

## **4.2 Function Groups**

The main function and sub-function groups are organised in a matrix format for configuration and selection of parameters. The main function groups are:

- 1) Offset adjustment (OFS)
- 2) Temperature Measurement / compensation settings (Set °C)
- 3) Control relay 1 configuration (SP1)
- 4) Control relay 2 configuration (SP2)
- 5) Configuration (ConF)
- 6) Calibration (CAL pH)

## **4.3 Control Concept**

The main function and sub-function groups are organised in a matrix format as shown below. These functions can be accessed via the front keypad for configuration and selection of parameters.

---

---

## 5 MEASUREMENT

---

---

### 5.1 *Display in Measurement mode*

When the controller is initially powered on, it automatically enters into the Measurement mode after the large dual LCD displays all segments briefly.

The upper display shows the measured pH or ORP value, while lower display shows either temperature value if controller is set for pH measurement or “OrP” if it is set for ORP measurement.

Annunciators at right side of display indicate whether controller is set for pH or mV measurement.

Similarly annunciators or icons at top or left side of display shows current status of controller, e.g. “MEAS”, “SETUP”, “CAL”, “READY”, etc. In addition, error messages also guide user in time of any faulty conditions as indicated by “ERR” or icons flashing.

#### 5.1.1 **Check electrode performance**

To read current electrode slope and offset values:

- 1) **Press CAL key followed by ENTER key.** The upper display shows electrode slope. The lower display reading shows the pH reading at 0 mV.
- 2) **Press  $\Delta$  and  $\nabla$  keys** to return to Measurement mode.

## 6 CALIBRATION

Direct Calibration from Measurement mode is possible via the CAL key. Calibration procedure can also be accessed from Advanced Setup mode.

### 6.1 pH Calibration

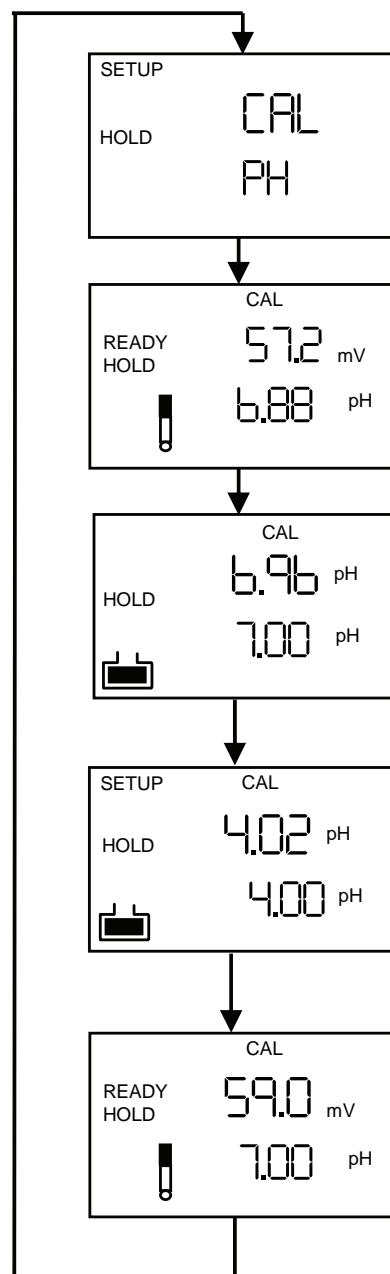
This unit features five preset buffer values (1.00, 4.00, 6.86 or 7.00, 9.00, 9.18 and 10.00) for quick, two-point auto calibration. When calibrating this instrument, standard pH buffer solutions must be used.

1) **Enter Calibration mode.** While in Measurement mode, push CAL key. Upper and lower display reads “CAL” & “pH”. Push **ENTER** or **CAL** key again. The controller displays electrode status based on previous calibration. Electrode slope and offset information is displayed.

**NOTE:** If display reads “CAL OrP”, see section 7.4 for procedures on how to switch from ORP to pH readings.

2) **Press ENTER key** again to begin calibration. The “CAL” indicator appears at top of display and buffer indicator appears in bottom left corner of display. Upper display is on-line pH value as measured by electrode. Lower display indicates **the first compulsory calibration value, pH 7.00 (or 6.86).**

**Immerse clean electrode in buffer solution. In ATC, temperature probe must also be immersed in buffer solution. Likewise for symmetrical mode, immerse potential matching pin in buffer.**



3) **Press ENTER key** to start calibration at pH 7 (or pH 6.86). The electrode indicator and CAL indicator both flash. The controller automatically adjusts reading to match the buffer value.

4) The lower display will now show its next lower 'pH' buffer. Use **Δ and ∇ keys** to select second buffer from one of 5 remaining preset values. Remove electrode from first buffer, wash and then immerse into second buffer. Once upper display stabilises **press ENTER key**, electrode and CAL indicator will flash. The controller adjusts reading to the buffer.

5) After calibrating to a second buffer value, controller automatically displays electrode slope and offset. The zero point and slope are re-determined after each calibration.

6) **Press ENTER key**. If calibration mode was accessed **using CAL key**, controller will return to Measurement mode. If calibration mode was accessed from Advanced Set-up mode, controller will return to sub-function menu.

**Note:** If there is a calibration error, controller displays "ERR". If this happens, push both **Δ and ∇ keys** (escape) to restart calibration beginning from step 1.

**Note:** When calibrating with manual temperature compensation, controller automatically changes from preset process temperature to calibration temperature. After leaving Calibration mode, controller switches back to process temperature (for setting calibration temperature and process temperature, see section 7.2.3).

## 6.2 ORP – mV Calibration

This mode allows one-point calibration.

1) **Enter Calibration mode.** While in Measurement mode, push CAL key. **Press ENTER key.** The upper and lower display reads “CAL OrP”.

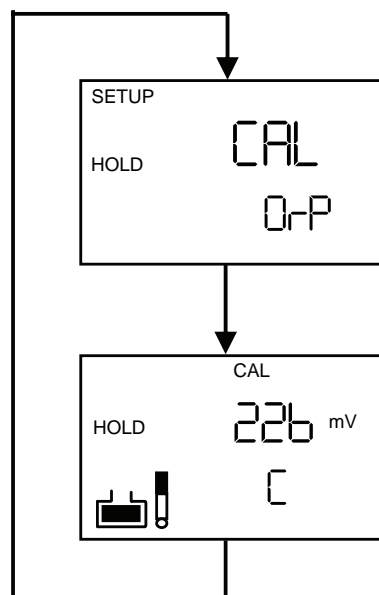
**Note:** If upper and lower display read “CAL PH”, see section 7.4 for procedures on how to switch from pH to ORP mV readings.

2) Place sensor in ORP solution.

3) **Press ENTER key** to begin calibration. “CAL” indicator appears on display. Upper display shows current mV output of electrode without any offset adjustment.

4) **Press Δ or ∇ keys** to adjust mV value to that of standard solution.

5) To confirm, **press ENTER key.** The controller calculates the correction factor and returns to Measurement mode.



---

---

## 7 ADVANCED SET UP MODE

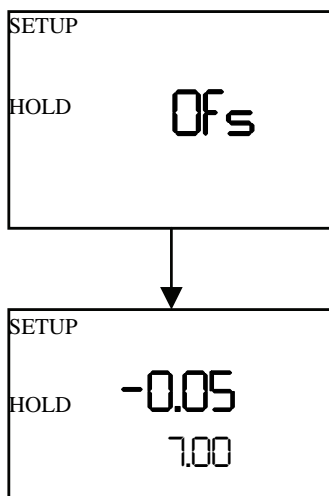
---

---

### 7.1 Electrode Offset (OFS) sub-function

This option is available only in the pH mode. An allowance of  $\pm 120\text{mV}$  is allowed to correct for electrode deviations. This feature is useful for prolonged on-line applications.

The controller will add or subtract the value from the measured pH and display the correct value. Should the offset value be too high, consider performing maintenance on the electrode followed by calibration. If the calibration is unsuccessful, please replace the electrode.



- 1) Take a sample from the system and note pH reading displayed on controller.
- 2) Measure pH of sample using a calibrated pH tester, hand-held meter, or bench meter. Record the correct pH value.
- 3) **Enter Advanced set-up mode.** Press ENTER.
- 4) **Press  $\Delta$  or  $\nabla$  keys** to scroll until upper display shows OFS.

5) **Press ENTER key.** The SETUP annunciator appears at the top of display. Lower display shows on-line measured pH value. Upper display shows current offset value.

6) **Press  $\Delta$  or  $\nabla$  keys** until pH value coincides with correct pH value noted in Step 2. As the  $\Delta$  or  $\nabla$  keys is pressed to adjust pH value, the 'offset' value in upper display also changes.

7) **Press ENTER key** to enter offset value.

**Note:** Offset value is reset during full calibration. See section 6 for full calibration instructions.

**Note:** The offset parameter is blanked out during ORP operation.

## 7.2 *Setting temperature (Set °C) sub-function*

### 7.2.1 **Selecting automatic or manual temperature compensation**

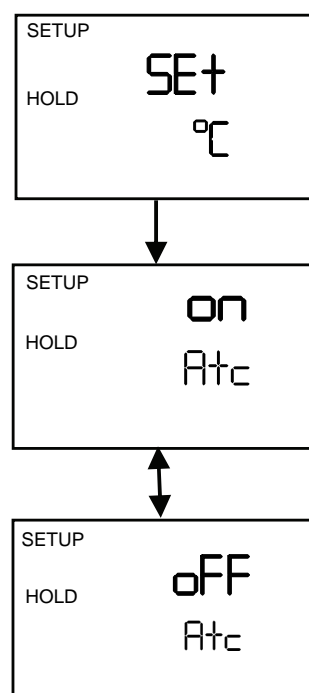
1) **Enter Advanced Set-up mode** by pressing ENTER key.

2) **Press  $\Delta$  or  $\nabla$  keys** to scroll until display shows “Set °C”.

3) **Press ENTER key.** The lower display shows “Atc”; upper display shows “on” or “oFF” depending on whether or not ATC is selected.

4) **Press  $\Delta$  or  $\nabla$  keys** to toggle between ATC on and off.

5) Proceed with additional Advanced Set-up procedures (press ENTER again) or return to Measurement mode by pressing  $\Delta$  and  $\nabla$  keys (escape) simultaneously.





## 7.2.2 Temperature calibration (ATC mode only)

1) Select “ATC on” as described above in Section 7.2.1.

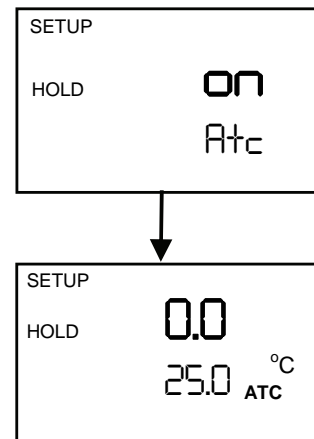
2) **Press ENTER key.** The upper display indicates current temperature offset. The current measured temperature is shown in the lower display.

3) Compare current measured temperature on the controller display to a thermometer known to be accurate. Note down the correct temperature value.

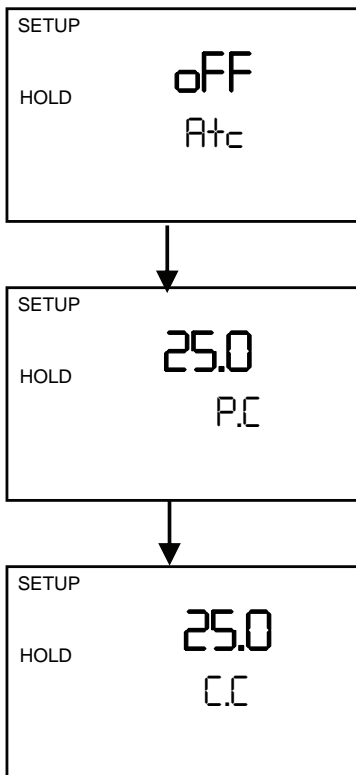
4) **Press  $\Delta$  or  $\nabla$  keys** to scroll the lower display to match the correct value. Upper display will now show the offset value. You can offset temperature up to  $\pm 5^{\circ}\text{C}$ .

5) **Press ENTER key** to confirm your selection.

6) Continue with additional Advanced Set-up procedures, or return to the Measurement mode by pressing  $\Delta$  and  $\nabla$  keys (escape) simultaneously.



### 7.2.3 Setting manual temperature compensation



**Note: This option is not available when the controller is set for ATC operation.**

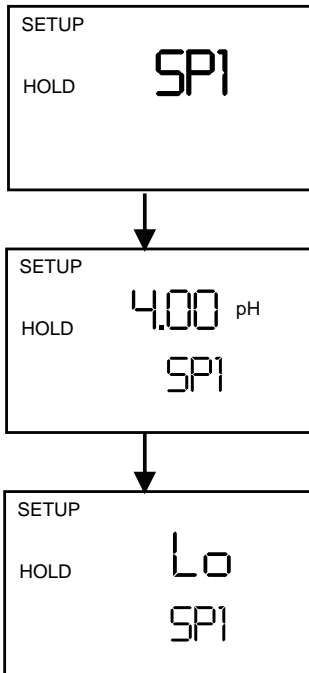
For manual temperature compensation, two different temperatures: process and calibration, can be input independently. This allows calibration at a temperature other than the process temperature. Example: setting a calibration temperature of 25°C allows calibration using standard buffer solutions at 25°C, even if the process temperature is different.

- 1) Select “ATC oFF” as described above in section 7.2.1
- 2) **Press ENTER key.** Upper display shows current process temperature and lower display shows “P.°C” to indicate process temperature.
- 3) **Press Δ or ∇ keys** to adjust the process temperature value, between –9.9 and 125°C.
- 4) After setting the process temperature value, **press ENTER key.** Upper display shows current calibration temperature and lower display shows “C.°C”.
- 5) **Press Δ or ∇ keys** to adjust the calibration temperature value, between –9.9 and 125°C.
- 6) **Press ENTER key** to confirm.
- 7) Continue with additional Advanced Set-up procedures, or return to Measurement mode by pressing Δ and ∇ keys (escape) simultaneously.

### 7.3 Control Relay A/Control Relay B (SP1/SP2) sub-function

The SP1 option sets operating parameters for Relay A; the SP2 option sets operating parameters for relay B. Since these groups have the same set-up parameters, they are described together.

#### 7.3.1 Entering Set point 1 (Set point 2) sub-function



- 1) **Enter Advanced Set-up mode.** Push the ENTER key.
- 2) **Press  $\Delta$  or  $\nabla$  keys** to scroll until upper display shows SP1 (SP2).

#### 7.3.2 Selecting set point values

This lets you choose the value that will cause your controller to activate the respective relays.

- 1) **Follow directions in 7.3.1** to enter Control Relay mode. If you are in this mode, skip to step 2.
- 2) **Press ENTER key.** The upper display shows current set point value and lower display shows SP1 (SP2).
- 3) **Press  $\Delta$  or  $\nabla$  keys** to enter value for Set point 1 (Set point 2).
- 4) **Press ENTER key** to confirm.
- 5) Proceed to 7.3.3 step 3, or return to Measurement mode by pressing  $\Delta$  and  $\nabla$  keys simultaneously (escape).

### 7.3.3 Choosing High or Low set points

Select a “lo” to activate relay when the pH/ORP value undershoots the set point; select a “Hi” to activate relay when the value overshoots the set point. Using both SP1 and SP2, the following configuration for the set points can be selected: lo/lo, lo/hi, hi/lo, or hi/hi.

- 1) **Follow directions in 7.3.1** to enter Control Relay mode.
- 2) **Press ENTER key** until upper display shows Lo or Hi and lower display shows SP1 (SP2).
- 3) **Press  $\Delta$  or  $\nabla$  keys** to select low (lo) or high (hi) set point for SP1 (SP2).
- 4) **Press ENTER key** to confirm.
- 5) **Proceed to 7.3.4 step 3**, or return Measurement mode by pressing  $\Delta$  and  $\nabla$  keys simultaneously (escape).

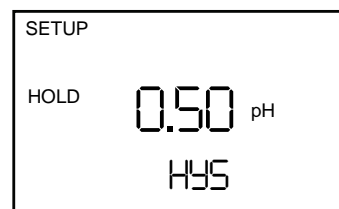
### 7.3.4 Selecting a hysteresis (dead band) value

Hysteresis prevents rapid contact switching if your value is fluctuating near set point. It does this by overshooting the set point value to a specified hysteresis value. You can set the hysteresis value from 0.1 to 1.0 pH, 10 to 100mV.

Example: You have set your high set point at pH 9.0 and your hysteresis limit value at pH 0.5. If your measured value overshoots high set point pH 9.0, the controller's relay activates, which in turn activates external devices such as a pump or valve. The actions of the external device will cause the solution's pH to drop. When the pH drops to 8.5 pH, the relay and hence the pump will switch off.

1) **Follow directions in 7.3.1** to enter Control Relay mode.

2) **Press ENTER key.** Scroll with  $\Delta$  or  $\nabla$  keys until upper display shows the hysteresis (dead band) value and lower display shows "HYS".



3) **Press  $\Delta$  or  $\nabla$  keys** to enter your hysteresis value for Set point 1 (Set point 2). Your controller will activate at the value you select.

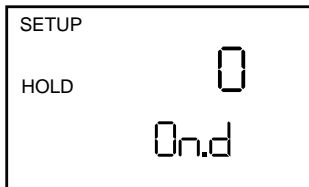
4) **Press ENTER key** to confirm your selection.

5) **Proceed to 7.3.5 step 3**, or return to Measurement mode by pressing  $\Delta$  and  $\nabla$  keys simultaneously (escape).

**NOTE:** Please refer to Appendix 3 for a graphical representation of the Hysteresis.

### 7.3.5 Setting an on-delay time lag

You can set as time delay for each relay, which stops the relay from switching on the moment the set point is exceeded. This controller lets you set a 0 to 2000 second time delay before the relay activates.



1) **Follow directions in 7.3.1** to enter Control Relay mode.

2) **Press ENTER key.** Scroll with  $\Delta$  or  $\nabla$  keys until upper display shows “on delay” time and lower display shows “On.d”.

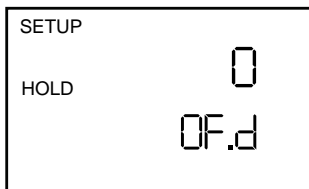
3) **Press  $\Delta$  and  $\nabla$  keys** to enter on-delay time for Set point 1 (Set point 2). The controller will delay activation for the number of seconds (0 to 2000) you select.

4) **Press ENTER key** to confirm your selection.

5) **Proceed to 7.3.6 step 3**, or return to Measurement mode by pressing  $\Delta$  and  $\nabla$  keys simultaneously (escape).

### 7.3.6 Setting an off-delay time lag

You can set a time delay for each relay, which delays relay from switching off the moment the value reaches set point and hysteresis. Controller allows a timer delay from 0 to 2000 seconds time delay before deactivating.



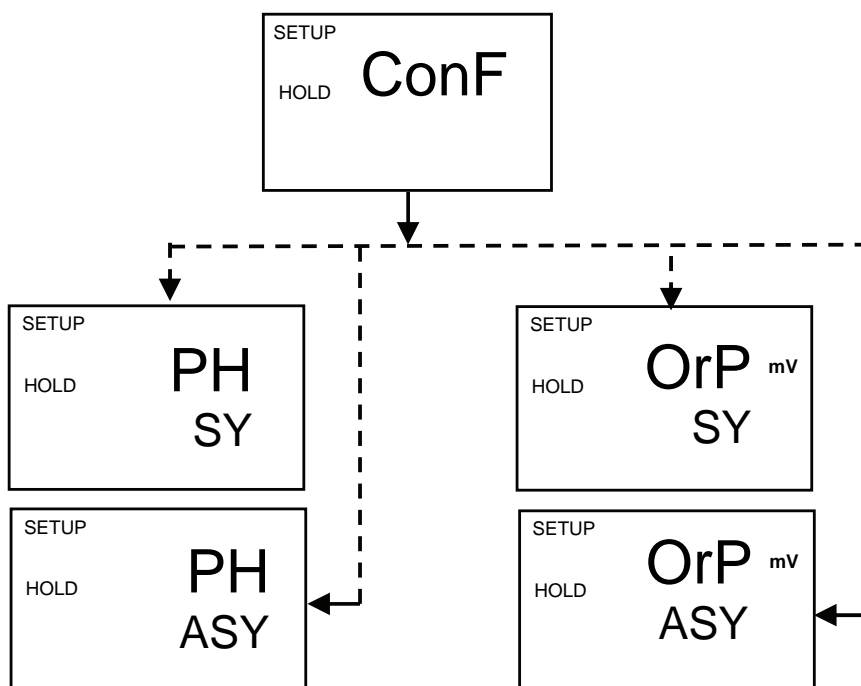
- 1) **Follow directions in 7.3.1** to enter Control Relay mode.
- 2) **Press ENTER key.** Scroll with  $\Delta$  or  $\nabla$  keys until upper display shows “off delay” time and lower display shows “OF.d”.
- 3) **Press  $\Delta$  or  $\nabla$  keys** to enter off-delay time for Set point 1 (Set point 2). The controller will delay activation for the number of seconds (0 to 2000) you select.
- 4) **Press ENTER key** to confirm your selection.
- 5) Continue with Advanced Set-up mode procedures, or return to Measurement mode by pressing  $\Delta$  and  $\nabla$  keys simultaneously (escape).

## 7.4 Configuration (ConF) sub-function

The options available in this sub-function allows the controller to be configured as a pH or ORP controller.

### 7.4.1 Entering Configuration sub-function

- 1) **Enter Advanced Set-up mode.** Press the ENTER key.
- 2) **Press  $\Delta$  or  $\nabla$  keys** to scroll until upper display shows “ConF”.





## 7.4.2 Selecting pH or ORP mV measurement

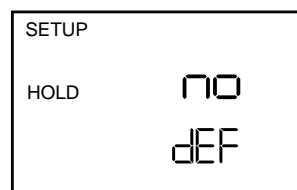
Besides selecting the controller to function as a pH or ORP (mV) controller, it also allows the selection of the type of input: symmetrical or asymmetrical. Symmetrical mode is used in conjunction with a potential matching pin – in an electrically noisy environment. Please refer to section 3, page 6 for a graphical representation.

- 1) **Follow directions in 7.4.1** to enter Configuration mode.
- 2) **Press ENTER key.** Scroll with  $\Delta$  or  $\nabla$  keys until upper display shows mode of operation (pH or ORP mV) and lower display shows symmetrical (SY) or asymmetrical (ASY) input type.
- 3) **Proceed to 7.4.3**, or return to Measurement mode by pressing  $\Delta$  and  $\nabla$  keys simultaneously (escape).

## 7.4.3 Reverting to factory default settings

Use this parameter to reset all settings to factory default. Changing from “no” to “YES” and pressing ENTER key resets all settings to factory default.

**WARNING: If “Yes” is selected, all settings input will be overwritten!**



- 1) Follow directions in 7.4.1 to enter Configuration mode.
- 2) **Press ENTER key.** Scroll with  $\Delta$  or  $\nabla$  keys until upper display shows “no” or “YES”, and lower display shows “deF” (default).
- 3) **Press  $\Delta$  or  $\nabla$  keys** to select no or yes. Selecting “YES” and pressing ENTER key will overwrite all user-settings and automatically return to Measurement mode.
- 4) **Press ENTER key** to confirm your selection and return to Advanced Set-up mode, or return to Measurement mode by pressing  $\Delta$  and  $\nabla$  keys simultaneously (escape).

## **7.5 Calibration (CAL) sub-function**

The calibration procedure in Advanced Set-up mode is identical to the procedure in the Calibration mode. The only difference is that controller will revert back to Set-up mode (instead of Measurement mode) after calibration is completed.

### **7.5.1 Entering Calibration mode from Advanced Set-up mode**

- 1) **Enter Advanced Set-up mode.** Press ENTER key.
- 2) **Press  $\Delta$  or  $\nabla$  keys** to scroll until upper display shows "CAL".
- 3) See section 6 for complete calibration procedures.

## 8 TECHNICAL SPECIFICATIONS

pH Range	-2.00 to 16.00 pH
<i>Resolution</i>	0.01 pH
<i>Relative Accuracy</i>	± 0.01 pH
mV Range	- 1000 to +1000 mV
<i>Resolution</i>	1 mV
<i>Relative Accuracy</i>	± 1 mV
Temperature	- 9.9 to + 125.0 °C
<i>Resolution</i>	0.1 °C
<i>Relative Accuracy</i>	± 0.5 °C
Sensor	Pt 100 /Pt 1000 (jumper selectable)
Temperature Compensation	Auto / manual (reference at 25.0 °C)

### Set-point and Controller Functions

Function (switchable)	Set-point controller
Controller characteristics	Limit controller
Pickup / Dropout delay	0 to 2000 sec.
Switching pH hysteresis	0.1 to 1 pH
Switching ORP hysteresis	10 to 100 mV
Contact outputs, controller	2 potential-free change-over contacts
Switching voltage / current / power	max. 250 VAC / max. 3A / max. 600 VA

### Electrical Data and Connections

Power Requirements	110 / 220 VAC (jumper selectable)
Frequency	48 to 62 Hz
Power Consumption	max. 0.75 VA
Signal Output / Load	4 to 20 mA, galvanically isolated / max. 500 Ω
pH / ORP input	BNC
Connection terminal	Terminal blocks 5-pole / 17-pole, removable
Mains fuse / fine wire fuse	slow-blow 250 V / 100 mA

### EMC Specifications

Emissions	According to EN 50081-1
Susceptibility	According to EN 50082-1

### Environmental Conditions (For Indoor Use)

Altitude	Up to 2000 m
Maximum Relative Humidity	80% up to 31 °C decreasing linearly to 50% at 40 °C
Power Supply	Mains supply voltage fluctuations not exceeding + 10% of the nominal voltage
Transient Overvoltages	Category II
Pollution Degree	Category II
Ambient temp. operating range	0 to +50 °C

### Mechanical Specifications

Dimensions (control panel housing - L x H x W)	175 x 96 x 96 mm
Weights (control panel housing)	max. 0.7 kg
Material	ABS with polycarbonate (front housing)
Insulation (Front / Housing)	IP 54 / IP 40

---

---

## 9 ACCESSORIES

---

---

<b>Eutech Instruments Order Code</b>	<b>Product Description</b>
ECARTSO05B	Ryton-body pH Combi Electrode with 5 m cable with BNC Connector (No ATC).
ECARHTTSO05B	Ryton-body pH Combi Electrode with 5 m cable with BNC Connector (No ATC).
ECARGTSO05B	Ryton-body pH Combi Electrode with 5 m cable with BNC & connector for PMP (No ATC).
EC100GTSO05B	Ryton-body pH Combi Electrode with Pt 100 RTD (ATC) & 5 m cable with BNC & connector for PMP & Pt 100.
ECARTSOHF05B	Ryton-body pH Combi Electrode without ATC & 5 m cable with BNC connector. HF Resistant Glass.
ECHTPPTSO05B	Ryton-body ORP Platinum Electrode with 5 m cable with BNC & connector for PMP (No ATC).
ECHTAUTSO05B	Ryton-body ORP Gold Electrode with 5 m cable with BNC & connector for PMP (No ATC).
EC100GTSO20B	Ryton-body pH Combi Electrode with Pt 100 RTD (ATC) & 20 m cable with BNC & connector for PMP & Pt 100.
EC100GTSO10B	Ryton-body pH Combi Electrode with Pt 100 RTD (ATC) & 10 m cable with BNC & connector for PMP & Pt 100.

**Note:** Above pH/ORP electrodes can withstand a pressure up to 6 bar (except for ECARHTTSO05B – 9 bar). These electrodes have integral 5 meter measuring cable. Please ask your authorised distributor or dealer for the prices, extension cables, tee joints, electrode assembly and buffer solutions.

---

---

## 10 GENERAL INFORMATION

---

---

### **10.1 Warranty**

Thermo Scientific warrants this product to be free from significant deviations in material and workmanship for a period of one year from the date of purchase. If repair is necessary and has not been the result of abuse or misuse within the warranty period, please return by freight pre-paid and amendment will be made without any charge. Our Customer Service Dept. will determine if product problem is due to deviations or customer abuse. Out of warranty products will be repaired on a charge basis.

### **10.2 Packaging**

The instrument is packaged in a corrugated box with a warranty card, instruction manual and the following accessories:

- 17-way and 5-way (right-angled) terminal block [1 unit each]
- side threaded rod with catch [2 units]
- receptacle cable lug [1 unit]
- rubber gasket [1 unit]

### **10.3 Return of Goods**

Authorisation must be obtained from our Customer Service Dept. to issue a RMA (Return of Material Authorisation) number before returning items for any reason. When applying for authorisation, please include data requiring the reason of return. Items must be carefully packed to prevent damage in shipment and insured against possible damage or loss. Thermo Scientific will not be responsible for any damage resulting from careless or insufficient packing.

**Warning:** Shipping damage as a result of inadequate packaging is the user/distributor's responsibility, whoever applicable. Please follow the guidelines below before shipment.

### **10.4 Guidelines for Returning Unit for Repair**

Use the original packaging material, if possible when shipping the unit for repair. Otherwise wrap it with bubble pack and use a corrugated box for better protection. Include a brief description of any faults suspected for the convenience of Customer Service Dept., if possible.

---

---

## 11 APPENDICES

---

---

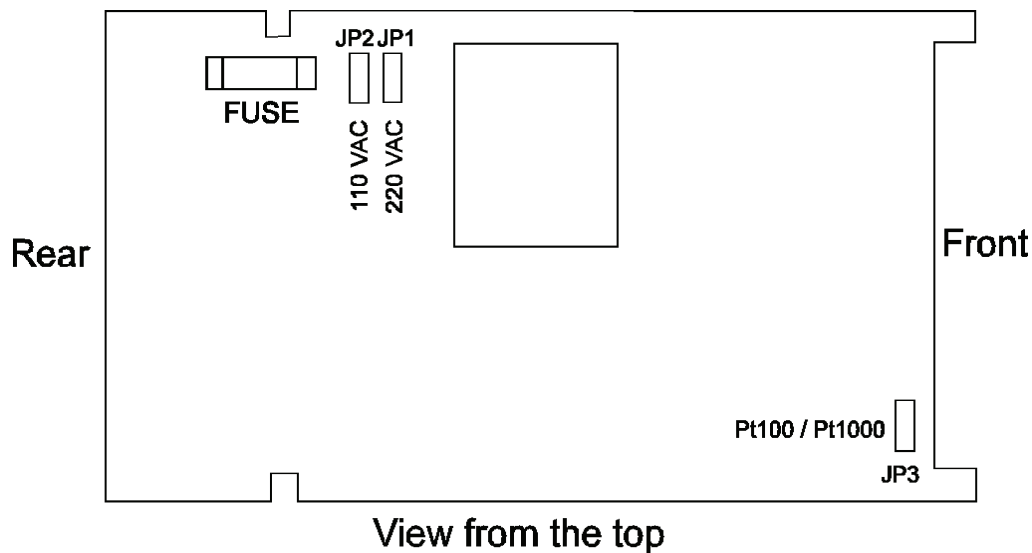
### 11.1 Appendix 1



Before opening the unit, **ENSURE** that the power cable is physically separated from the power supply.

Jumper Positions - Internal to the controller

JP 1	Selects the input voltage 220 VAC.
JP 2	Selects the input voltage 110 VAC.
JP 3	Solder bridge selects between Pt100 and Pt1000.
Fuse	Note that there is a fuse (slow-blow 100mA) internal to the controller. Replace fuse with the recommended type only.



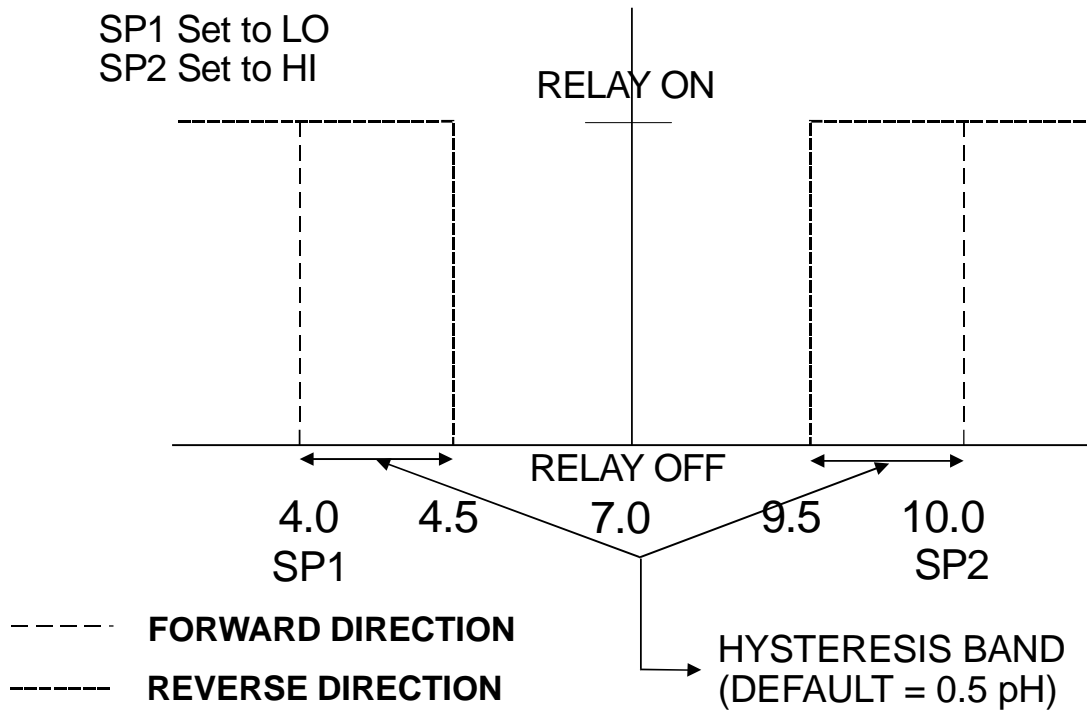
## 11.2 Appendix 2

The following table shows the various pH values at different temperature of the solution during calibration.

Temperature (°C)	pH 1.68 (oxalate)	pH 4.01 (phthalate)	pH 6.86 (tetraoxalate)	pH 7.00 (neutral phosphate)	pH 9.18 (tetra borate )	pH 10.01 (carbonate)
0	1.67	4.01	6.98	7.12	9.47	10.32
5	1.67	4.01	6.95	7.09	9.38	10.25
10	1.67	4.00	6.92	7.06	9.32	10.18
15	1.67	4.00	6.90	7.04	9.27	10.12
20	1.68	4.00	6.88	7.02	9.22	10.06
25	1.68	4.01	6.86	7.00	9.18	10.01
30	1.69	4.01	6.85	6.99	9.14	9.97
35	1.69	4.02	6.84	6.98	9.10	9.93
40	1.70	4.03	6.84	6.97	9.07	9.89
45	1.70	4.04	6.83	6.97	9.04	9.86
50	1.71	4.06	6.83	6.97	9.01	9.83
55	1.72	4.08	6.83	6.97	8.99	9.81
60	1.73	4.10	6.84	6.98	8.96	9.79
70	1.74	4.12	6.85	6.99	8.92	9.76
80	1.77	4.16	6.86	7.00	8.89	9.74
90	1.80	4.20	6.88	7.02	8.85	9.73

### 11.3 Appendix 3

#### Simple Explanation on the Function of Hysteresis



The controller relay activates when the set-point is reached. In the reverse direction, it does not de-activate when the value reaches the set-point. Instead, it continues to be active till the value reaches the amount set by the Hysteresis band.









## Water Analysis Instruments



### North America

166 Cummings Center  
Beverly, MA 01915 USA  
Toll Free: 1-800-225-1480  
Tel: 1-978-232-6000  
Dom. Fax: 1-978-232-6015  
Int'l Fax: 978-232-6031

### Europe

P.O. Box 254, 3860 AG Nijkerk  
Wallerstraat 125K, 3862 CN Nijkerk,  
Netherlands  
Tel: (31) 033-2463887  
Fax: (31) 033-2460832

### Asia Pacific

Blk 55, Ayer Rajah Crescent  
#04-16/24, Singapore 139949  
Tel: 65-6778-6876  
Fax: 65-6773-0836

[www.thermo.com/process](http://www.thermo.com/process)

© 2009 Thermo Fisher Scientific Inc.

All rights reserved. Thermo Fisher Scientific Inc.