

Operating Instructions EcoTestr pH 2 Waterproof Pocket Tester

Before First Use: Precipitation of the sensor electrolyte may cause white crystals to form around the cap. This is normal and does not affect the tester's performance.

Conditioning: Condition the tester before first use. Remove the transparent cap and fill with tap water to a height of 20 mm. Recap the tester and soak* sensor for one hour. This will activate the sensor and dissolve any crystals present. Rinse the cap after use.

Calibration: This tester allows up to 3-point calibration. Start with pH 7.0 buffer

- Press **on/off** button to power on. Immerse sensor in about 20 mm of buffer and stir gently. Wait for displayed value to stabilize at or near pH 7.0
- Press **cal** button to enter calibration sequence. **CAL** will flash momentarily and then show a flashing default reading
- To complete the first calibration point, press **hold/ent** button to confirm (**Ent**). If necessary, proceed to next buffer value (pH 4.0 or pH 10.0) and repeat the calibration procedure to obtain your second and third calibration point
- To abort calibration, press **cal** button to escape (**ESC**). You have successfully calibrated the instrument.

Note: If no button is pressed for 15 seconds, tester will automatically confirm calibration.

pH Testing: Remove cap and press **on/off** button to turn on the tester

- Dip the sensor in at least 20 mm of test solution
- Stir once and let the reading stabilize. Note the pH value
- Press **hold/ent** button to hold (**HO**) the reading. Annunciator will flash to indicate reading is in hold mode. Press **hold/ent** again to cancel (**HC**) the hold mode
- Press the **on/off** button to shut tester off.

Note: Tester automatically shuts off after 8.5 minutes of non-use to conserve batteries.

Maintenance: Rinse the sensor in tap water after use. In harsh samples, take readings quickly, then rinse sensor immediately afterwards with de-ionized water to remove residues and prevent electrode contamination.

Useful Notes:

- To avoid cross-contamination, rinse sensor between samples and buffer with de-ionized water
- To maintain tester accuracy, use tester regularly or calibrate at regular intervals as required
- For long-term storage, fill the cap with 20 mm of storage solution (NOT de-ionized water), and replace cap*. This will keep the sensor conditioned and ready for next use.

* The tester cap is not leak-proof. Please keep tester upright during soaking.

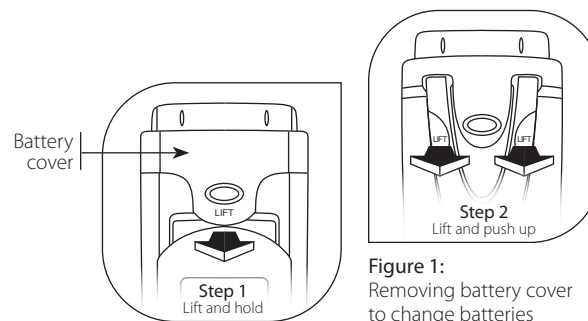


Figure 1:
Removing battery cover to change batteries

Changing Batteries: To remove batteries, lift up front battery cover and hold in position before lifting two sides of the pocket clip (Figure 1). Remove old batteries and replace with fresh ones. Note polarity as shown in battery compartment. No re-calibration is required after battery change since tester's non-volatile memory function retains calibration.

Error Messages: **bAt** – Batteries are weak and need replacement. **Err** – Wrong or bad buffer value (out of range) and/or the sensor is failing. Use fresh buffer. **Or/Ur** – Over or Under range signal or sensor is contaminated/damaged/not fully immersed.

Reset Option: Reset option allows you to restore the calibration back to factory default settings

- Press **on/off** to turn off tester
- Press and hold **hold/ent** button and then switch on using the **on/off** button. The display shows a flashing **rSt** (reset)
- Press **hold/ent** button again to confirm (**Ent**) reset or press the **cal** button to escape (**ESC**) reset option.

Warranty: This tester is supplied with a warranty against manufacturing defects for a period of ONE year from date of purchase.

Accessories:

Eutech Order Code	Oakton Order Code	Description
ECBU4BT	00654-00	pH 4.01 buffer solution, 480 ml bottle
ECBU7BT	00654-04	pH 7.00 buffer solution, 480 ml bottle
ECBU10BT	00654-08	pH 10.01 buffer solution, 480 ml bottle
ECRE005	00653-04	Storage solution for pH sensor, 480 ml bottle
ECDPCBT	00653-06	Protein remover solution, 480 ml bottle