

Quick Start Manual · April 2009



English
Dansk
Deutsch
Ελληνικά
Español
Français
Italiano
Nederlands
Português
Suomi
Svenska

million
in one

sitrans

LG200

SIEMENS

SITRANS LG200 Quick Start Manual

This manual outlines the essential features and functions of the SITRANS LG200. We strongly advise you to acquire the detailed version of the manual so you can use your instrument to its complete potential. The complete manual is available on the SITRANS LG200 product page of our website at: <https://pia.khe.siemens.com/index.asp?Nr=15361>. Questions about the content of this manual can be directed to:

Siemens Milltronics Process Instruments Inc.
1954 Technology Drive, P.O. Box 4225
Peterborough, Ontario, Canada, K9J 7B1
Email: techpubs.smpi@siemens.com

**Copyright Siemens Milltronics
Process Instruments Inc. 2008.
All Rights Reserved**

Disclaimer of Liability

We encourage users to purchase authorized bound manuals, or to view electronic versions as designed and authored by Siemens Milltronics Process Instruments Inc. Siemens Milltronics Process Instruments Inc. will not be responsible for the contents of partial or whole reproductions of either bound or electronic versions.

While we have verified the contents of this manual for agreement with the instrumentation described, variations remain possible. Thus we cannot guarantee full agreement. The contents of this manual are regularly reviewed and corrections are included in subsequent editions. We welcome all suggestions for improvement.

Technical data subject to change.

MILLTRONICS is a registered trademark of Siemens Milltronics Process Instruments Inc.

Safety Guidelines

Warning notices must be observed to ensure personal safety as well as that of others, and to protect the product and the connected equipment. These warning notices are accompanied by a clarification of the level of caution to be observed.



WARNING: relates to a caution symbol on the product, and means that failure to observe the necessary precautions can result in death, serious injury, and/or considerable material damage.



WARNING¹: means that failure to observe the necessary precautions can result in death, serious injury, and/or considerable material damage.

Note: means important information about the product or that part of the operating manual.

¹ This symbol is used when there is no corresponding caution symbol on the product.

SITRANS LG200

- ! WARNING: Changes or modifications not expressly approved by Siemens could void the user's authority to operate the equipment.**

Notes:

- This equipment has been tested and found to comply with the limits for a Class A digital device, pursuant to Part 15 of the FCC Rules. These limits are designed to provide reasonable protection against harmful interference when the equipment is operated in a commercial environment.
- This equipment generates, uses, and can radiate radio frequency energy and, if not installed and used in accordance with the instruction manual, may cause harmful interference to radio communications. Operation of this equipment in a residential area is likely to cause harmful interference, in which case the user will be required to correct the interference at his own expense.
- SITRANS LG200 is to be used only in the manner outlined in this manual, otherwise protection provided by the equipment may be impaired.]
- This product is intended for use in industrial areas. Operation of this equipment in a residential area may cause interference to several frequency based communications.

SITRANS LG200 is a guided wave radar transmitter for short and medium range level, level/interface and volume measurement of liquids and solids. It is unaffected by changes in process conditions, high temperatures and pressures, and steam.

SITRANS LG200 supports HART¹ communication protocol, and SIMATIC PDM software.

Specifications

For a complete listing, see the SITRANS LG200 Instruction Manual.

Ambient/Operating Temperature

- Ambient temperature: -40 to +80 °C (-40 to +175 °F)
- Max. process temperature and pressure: Probe type and pressure dependent; see process device tag for details

Power



General Purpose:
Intrinsically Safe:
Explosion Proof:

11 to 36 V DC

¹. HART® is a registered trademark of the HART Communication Foundation.

Approvals

Note: The device nameplate lists the approvals that apply to your device.

- General Purpose CSA/FM, CE, C-TICK
- Intrinsically Safe FM Class I, Div. 1, Groups A, B, C, D, Class II, Div. 1, Groups E, F, G T4, Class III, Type 4, IP65
- CSA Class I, Div. 1, Groups A, B, C, D, Class II, Div. 1, Groups E, F, G T4, Class III, Type 4, IP65
- ATEX II 1G EEx ia IIC T4
- Explosion Proof/ FM Class I, Div 1, Groups B, C, D, Class II, Div. 1, Flame Proof Groups E, F, G T4, Class III, Type 4, IP65
- CSA Class I, Div. 1, Groups B, C, D, Class II, Div. 1, Groups E, F, G T4, Class III, Type 4, IP65
- ATEX II 1/2 G EEx d [ja] IIC T6
- ATEX II 1/2 D IP65 T85 °C
- Non-Incendive FM Class I, Div. 2, Groups A, B, C, D, Class II, Div. 2, Groups F, G T4, Class III, Type 4, IP65
- CSA Class I, Div. 2, Groups A, B, C, D, Class II, Div. 2, Groups E, F, G T4, Class III, Type 4, IP65
- Non-sparking ATEX II 3G EEx nA [nL] IIC T4 to T6
- ATEX II 3G EEx nA II T4 to T6
- Others Functional Safety to SIL 1 in accordance with IEC 61508 Safe Failure Fraction (SFF) of 85.5% (Third party FMEDA Analysis - hardware only)
- Functional Safety to SIL 2 in accordance with IEC 61508 Safe Failure Fraction (SFF) of 91% (Third party FMEDA Analysis - hardware only)

Pressure Application



! WARNINGS:

- Do not attempt to loosen, remove, or disassemble process connection or instrument housing while vessel contents are under pressure.
- Improper installation may result in loss of process pressure.

Installation



- **WARNINGS:**
- This product can only function properly and safely if it is correctly transported, stored, installed, set up, operated, and maintained.
- Materials of construction are chosen based on their chemical compatibility (or inertness) for general purposes. For exposure to specific environments, check with chemical compatibility charts before installing.
- The user is responsible for the selection of bolting and gasket materials which will fall within the limits of the flange and its intended use, and which are suitable for the service conditions.

Mounting location

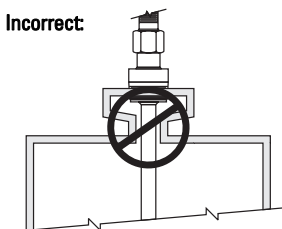
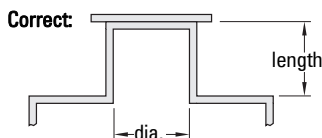
Note: For complete mounting instructions for all probe versions, please see the SITRANS LG200 instruction manual.

Recommendations

- Easy access for programming via device push buttons.
- An environment suitable to the enclosure rating and materials of construction.

Precautions

- Do not place insulating material around any part of SITRANS LG200 transmitter including the probe flange as this may cause excessive heat buildup.
- Avoid proximity to high voltage or current wiring, high voltage or current contacts, and to variable frequency motor speed controllers.
- Avoid interference to the emission cone from obstructions or from the fill path.
- Single Rod:
 1. Do not mount in nozzles <math>< 50\text{ mm (2")}</math> in diameter.
 2. Mount in applications where ratio of diameter:length is 1:1 or greater. Any ratio less than 1:1 (for example, a 2"x6" nozzle = 1:3) may require a blocking distance and/or dielectric adjustment.
 3. Do not use pipe reducers.
 4. Keep conductive objects away from probe to ensure proper performance.
- Twin rod:
 1. Active rod must be mounted at least 25 mm (1") away from any obstructions.
 2. Minimum stillwell or nozzle diameter for probe is 76 mm (3").



General probe mounting

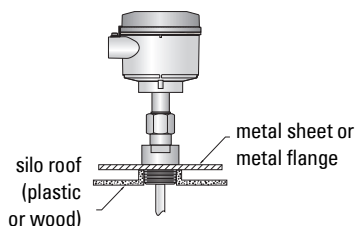
1. Ensure the process connection is at least ¾" NPT for coaxial probes or 2" NPT for rigid probes or is a flanged mounting.
2. Carefully place the probe into the vessel. Align the gasket on flanged installations.
3. Align the probe process connection with the threaded or flanged mounting on the vessel.
4. For threaded connections, tighten the hex nut of the probe process connection. For flanged connections, tighten flange bolts.

Installation in non-metallic silos

For installation in vessels of a non-metallic construction or possibly open vessels, a suitable launch plate is required to optimize the impedance of the transmitted signal as it travels along the probe. Optimal performance cannot be guaranteed if a suitable transition is not available at the process connection.

When using single rod versions (flexible or solid) and a threaded process connection, a metal sheet or flange will greatly improve conditions as this provides a suitable launch plate.

A flanged process connection is generally accepted to be provision of this launch plate.



Note: The SITRANS LG200 meets CE requirements for Electromagnetic Compatibility (EN 61326-1/2006). Single and Twin Rod probes must be used in metallic vessel or stilling well to maintain CE compliance.

Transmitter (enclosure) installation

1. Remove the protective plastic cap from the top of the probe. Put the cap in a safe place in case the transmitter has to be removed later.
2. Place the transmitter on the probe. Be careful not to bend or dirty the gold, high frequency (male) connector.
3. Align the universal connection at the base of the transmitter housing with the top of the probe. Hand tighten the connection.
4. Rotate the transmitter to face the most convenient direction for wiring, configuration, and viewing.
5. When the transmitter is facing the desired direction, use a 38 mm (1½") wrench to tighten the universal connection on the transmitter to 15 ft.-lbs. A torque wrench is highly recommended. This is a critical connection. **DO NOT LEAVE HAND TIGHT.**

Wiring

Power

WARNINGS:



All HART versions of SITRANS LG200 transmitter operate at voltages of 11 to 36 V DC. Higher voltage will damage the transmitter.

Connecting SITRANS LG200

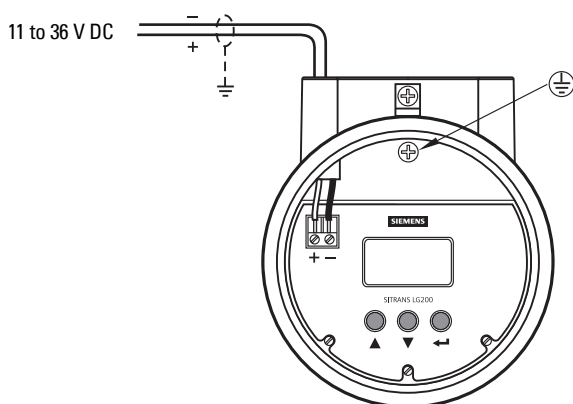
! WARNINGS:

- Check the nameplate on your instrument, to verify the approval rating.
- Approved dust-tight and water-tight conduit seals are required for outdoor Type 4/ NEMA 4, IP65.

Notes:

- For detailed wiring instructions, please refer to the full Instruction Manual.
- Use shielded twisted pair cable: 0.5 to 1 mm² (AWG 22 to 18).
- Separate cables and conduits¹ may be required to conform to standard instrumentation wiring practices, or electrical codes.

Wiring



RUN Mode and PROGRAM Mode

SITRANS LG200 has 2 modes of operation: RUN and PROGRAM.

After powering up, the LG200 display changes every 2 seconds to show one of four values:

Status, Level, %Output, and Loop Current. In RUN mode, use arrow keys ▲ ▼ to switch from one display to another. The display can also be set to each display individually.

In RUN mode, press arrow keys ▲ ▼ to scroll to the parameter you would like to edit.

Press Enter ← to switch to PROGRAM mode (shows an exclamation point ! as the last character in the top display line.)

In PROGRAM mode, press arrow keys ▲ ▼ to increase or decrease the value displayed and to move to the next choice. Hold the arrow keys for rapid scrolling.

¹ If cable is routed through conduit, use only approved suitable-size hubs for waterproof application.

Quick start programming

1. Remove the cover of the electronics.
2. Use the Down (▼) arrow key to move from one step of the configuration program to the next.
3. Press the Enter (↵) key. The last character in the first line of the display changes to an exclamation point (!).
4. Use the Up or Down arrow keys ▲ ▼ to increase or decrease the value in the display or to scroll through the choices.
5. Press Enter (↵) to accept a value and move to the next step of the configuration process (the default password is 0).
6. To return to RUN mode, scroll to the display parameters (***Status***)
7. After entering the last value, allow 10 seconds before removing power from the transmitter (save function).

Password protection (Default = 0)

The SITRANS LG200 transmitter is password protected to restrict access to parts of the menu structure that affect the operation of the system. In **Program Mode**, when the proper password is entered, an exclamation point (!) is the last character of the first line of the display. The password can be changed to any numerical value up to 255. The password is required whenever configuration values are changed.

The default user password is 0. Enter a new password in the last step of the configuration menu. With a password of 0, the transmitter is no longer password protected and any value in the menu can be altered without entering a confirming password, except diagnostic values.

The device remains unprotected for five minutes without a button pressed, and then the password protection set is applied.

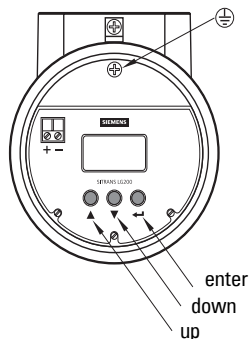
NOTE: If the user password is not known, the menu item New Password displays an encrypted value representing the present password. Call the factory with this encrypted value to determine the current password.

Activating SITRANS LG200

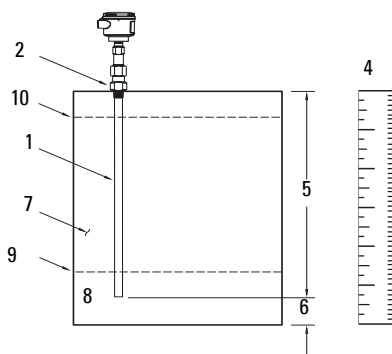
Power up the LG200. It begins in **RUN** mode and the display shows one of four read-only values every 2 seconds: Status, Level, %Output, and Loop Current.

Accessing a parameter

1. Use the **ARROW** keys ▲ ▼ to scroll to an editable parameter. Hold the Arrow keys for rapid scrolling.
2. Press **Enter** (↵) to select a parameter.
3. Use the **ARROW** keys ▲ ▼ to choose the parameter value.
4. Press **Enter** (↵) to accept a value and move to the next step of programming
5. The LCD displays the new parameter and value.



Quick Start programming



1. Probe Model [see Probe Nameplate (7MLxxx-x) (7xX) for details]: _____
2. Probe Mounting Type NPT, BSP, or flanged [use part number to establish Probe Mounting Type (NPT and BSP differ in insertion length)]: _____
3. Measurement Type (level only, volume, interface level, or interface level and volume): _____
4. Level Units (inches, centimeters, feet, meters): _____
5. Probe Length [listed on model information at top of probe (Note Y01 = xxx cm)]: _____
6. Level Offset (desired level reading when liquid is at the end of the probe): _____
7. Dielectric (dielectric constant range of process medium, upper layer dielectric for interface applications): _____
8. Loop Control (Is output current to be controlled by level or volume?): _____
9. Set 4.0 mA (What is the reference point for the 4.0 mA value?): _____
10. Set 20 mA (What is the reference point for the 20.0 mA value?): _____

Quick Setup: steps 1 to 10

1. Select Probe model (Default: 7xA-x)

Values	Select from: 7xA-x (7ML1301-1), 7xB-x (7ML1302-1), 7xD-x (7ML1301-2), 7xF-x (7ML1303-1), 7xF-E (7ML1303-1D), 7xF-F (7ML1303-1E), 7xF-4 (7ML1303-1J), 7xF-P (7ML1303-1H), 7xJ-x (7ML1303-2), 7xK-x (7ML1305-1), 7xP-x (7ML1301-3), 7xR-x (7ML1301-4), 7xS-x (7ML1301-5), 7xT-x (7ML1301-6), 7x1-x (7ML1304-1), 7x2-x (7ML1304-2), 7x5-x (7ML1302-2), 7x7-x (7ML1302-3)
--------	--

2. Select Probe mounting type (Default: NPT)

Values	NPT
	BSP
	Flange

3. Select Measurement type (Default: Lvl Only)

Values	Lvl	Select measurement type.
	Lvl&Vol	
	Ifc	
	Ifc&Vol	

4. Select Level units (Default: Inches)

Values	cm
	inches
	feet
	meters

5. Select Probe length (Default: 120.0 in)

Values	Probe Ln xxx.x. Probe length is printed on the nameplate and order information (in cm).
--------	---

6. Select Level offset (Default: 0 in)

Values	Range: -61 to 762 cm (-24 to 300"). Level offset is the distance from the probe tip to the desired zero level point. Enter the desired reading when the probe is dry.
--------	---

7. Select Dielectric (Default: 10 – 100)

Values	1.4 – 1.7	Select range bounding the dielectric constant of the media. The LG200 uses this dielectric setting to adjust the Sensitivity setting. Default setting is probe dependent (for 7ML1301-5, setting is fixed at 10–100; for interface module, 7ML1301-6 only, select from 3–10, 10–100).
	1.7 – 3	
	3 – 10	
	10 – 100	

8. Select Loop control (Default: Lvl)

Values	Lvl	Level	Select variable to control loop current.
	Lvl&Vol	Level and Volume	
	Ifc	Level or Interface level	
	Ifc&Vol	Level, Interface level, Volume, Interface volume	

9. 4 mA Setpoint (Default: 0.0 in or 0.0 gal)

Values	Set 4 mA xxx.x (Enter PV value for the 4 mA point).	Enter the level for 0% or 4 mA output. It may be lower or higher than the 20 mA point. If a 4 mA and 20 mA points are entered with the same value, the unit will read 3.8 mA when level is below the setpoints, and 20.5 mA when level is above the setpoints. A small transition zone [0 to 15 cm(6")] may exist at the top or bottom of the probe.
--------	---	---

10. 20 mA Setpoint (Default: 120.0 in or 396.3 gal)

Values	Set 20 mA xxx.x (Enter PV value for the 20 mA point).	Enter the level for 100% or 20 mA output. It may be lower or higher than the 4 mA point. If a 4 mA and 20 mA points are entered with the same value, the unit will read 3.8 mA when level is below the setpoints, and 20.5 mA when level is above the setpoints. A small transition zone [0 to 15 cm (6")] may exist at the top or bottom of the probe.
--------	---	--

Use the **ARROW** keys   to return to **RUN** mode: basic setup is complete. Scroll through to display loop.

SITRANS LG200 Communications: HART

- You will need the full manual to acquire the list of applicable parameters.
- The HART Device Description (DD) may be obtained from the HART Communication Foundation at www.hartcomm.org
- We recommend that you use SIMATIC Process Device Manager (PDM) to program your instrument.

Maintenance

SITRANS LG200 requires no maintenance or cleaning under normal operating conditions. If cleaning becomes necessary under severe operating conditions:

1. Note the probe material and the process medium, and select a cleaning solution that will not react adversely with either.
2. Remove the device from service and wipe the probe clean using a cloth and suitable cleaning solution.

Unit Repair and Excluded Liability

For detailed information, please see the inside back cover.

SITRANS LG200 Kvikstart Manual

Denne manual opridser de væsentligste karakteristika og funktioner af SITRANS LG200. Vi anbefaler kraftigt at anskaffe den detaljerede version af denne manual for at kunne anvende apparatet fuldt ud. Den komplette manual kan fås på produktsiden for SITRANS LG200 på vort website: <https://pia.khe.siemens.com/index.asp?Nr=15361>. Spørgsmål vedrørende indholdet af denne manual kan rettes til:

Siemens Milltronics Process Instruments Inc.
1954 Technology Drive, P.O. Box 4225
Peterborough, Ontario, Canada, K9J 7B1
E-mail: techpubs.smpi@siemens.com

**Copyright Siemens Milltronics
Process Instruments Inc. 2008.
Alle rettigheder forbeholdes**

Ansvarsfragøelse

Vi opfordrer brugerne til at anskaffe de autoriserede, indbundne manualer eller læse de elektroniske versioner, der er udarbejdet og skrevet af Siemens Milltronics Process Instruments Inc. Siemens Milltronics Process Instruments Inc. påtager sig intet ansvar for indholdet af delvise eller fuldstændige gengivelser af indbundne eller elektroniske versioner.

Skønt vi har kontrolleret, at indholdet af denne manual stemmer overens med de beskrevne instrumenter, kan der stadig forekomme variationer. Vi kan derfor ikke garantere en fuldstændig overensstemmelse. Indholdet af denne manual revideres jævnligt, og eventuelle rettelser inkluderes i de efterfølgende udgaver. Vi modtager gerne forslag til forbedringer.

Retten til ændringer af de tekniske data forbeholdes.

MILLTRONICS er et registreret varemærke, der tilhører Siemens Milltronics Process Instruments Inc.

Sikkerhedsvejledning

De anførte advarsler skal overholdes for at sikre egen og andres sikkerhed samt for at beskytte produktet og det tilknyttede udstyr. Disse advarsler ledsages af en tydeliggørelse af graden af forsigtighed, der bør overholdes.



ADVARSEL: vedrører et advarselssymbol på produktet og betyder, at en manglende overholdelse af de nødvendige forholdsregler kan føre til død, alvorlig personskade og/eller omfattende materielle skader.



ADVARSEL¹: betyder, at en manglende overholdelse af de nødvendige forholdsregler kan føre til død, alvorlig personskade og/eller omfattende materielle skader.

Bemærk: betyder vigtige oplysninger om produktet eller denne del af brugsvejledningen.

¹ Dette symbol anvendes, når der ikke er noget tilsvarende advarselssymbol på produktet.

SITRANS LG200

- ! **ADVARSEL: Ændringer eller modifikationer, der ikke er udtrykkeligt godkendt af Siemens, kan ophæve brugerens ret til at betjene udstyret.**

Bemærkninger:

- Dette udstyr er blevet testet og fundet at overholde grænserne for en klasse A digital anordning i henhold til Afsnit 15 i FCC Reglerne. Disse grænser er beregnet til at yde en rimelig beskyttelse mod skadelige interferenser, når anordningen anvendes i kommercielle omgivelser.
- Dette udstyr frembringer, bruger og kan udstråle radiofrekvent energi, og kan, såfremt det ikke installeres og bruges i overensstemmelse med instruktionsbogen, forårsage interferens, der kan virke forstyrrende for radiokommunikationen. Brugen af dette udstyr i et beboelsesområde vil sandsynligvis forårsage skadelig interferens, som brugeren i givet fald vil være nødsaget til at udbedre for egen regning.
- SITRANS LG200 bør kun anvendes som beskrevet i denne manual, da den beskyttelse, udstyret yder, ellers kan forringes.
- Dette produkt er beregnet til at anvendes i industriområder. Brugen af dette udstyr i et beboelsesområde kan forårsage interferens med diverse frekvensbaserede kommunikationsmidler.

SITRANS LG200 er en dirigeret bølge-radartransmitter til kort- og mellemdistancemåling af niveau, grænsefladeniveau og volumen af væsker og tørstoffer. Den påvirkes ikke af ændringer i procesbetingelserne, høje temperaturer og tryk eller damp.

SITRANS LG200 understøtter HART¹ kommunikationsprotokol og SIMATIC PDM software.

Tekniske data

For en fuldstændig liste, jf. SITRANS LG200 instruktionsbogen.

Omgivende temperatur/Driftstemperatur

- Omgivende temperatur: -40 til +80 °C (-40 til +175 °F)
- Maks. procestemperatur og -tryk: Afhænger af sondetypen og trykket; jf. procesmærkeskiltet for yderligere oplysninger

Strømforsyning



Almen brug:

Egensikker:

Ekspllosionssikker:

11 til 36 V dc

¹. HART[®] er et registreret varemærke, der tilhører HART Communication Foundation.

Godkendelser

Bemærk: Apparatets navneplade angiver de godkendelser, der gælder for netop dit apparat.

- Almen brug CSA/FM, CE, C-TICK
- Egensikker FM Klasse I, Div. 1, Gruppe A, B, C, D, Klasse II, Div. 1, Gruppe E, F, G T4, Klasse III, Type 4, IP65
- CSA Klasse I, Div. 1, Gruppe A, B, C, D, Klasse II, Div. 1, Gruppe E, F, G T4, Klasse III, Type 4, IP65
- ATEX II 1G EEx ia IIC T4
- Eksplosionssikker / Flammesikker FM Klasse I, Div 1, Gruppe B, C, D, Klasse II, Div. 1, Gruppe E, F, G T4, Klasse III, Type 4, IP65
- CSA Klasse I, Div. 1, Gruppe B, C, D, Klasse II, Div. 1, Gruppe E, F, G T4, Klasse III, Type 4, IP65
- ATEX II 1/2 G EEx d [ja] IIC T6
- ATEX II 1/2 D IP65 T85 °C
- Ikke-antændelsesfarlig FM Klasse I, Div. 2, Gruppe A, B, C, D, Klasse II, Div. 2, Gruppe F, G T4, Klasse III, Type 4, IP65
- CSA Klasse I, Div. 2, Gruppe A, B, C, D, Klasse II, Div. 2, Gruppe E, F, G T4, Klasse III, Type 4, IP65
- Gnistfri ATEX II 3G EEx nA [nL] IIC T4 til T6
- ATEX II 3G EEx nA II T4 til T6
- Andre Funktionel sikkerhed til SIL 1 ifølge IEC 61508
Safe Failure Fraction (SFF) (andel af ufarlige fejl) på 85.5%
(Uvildig FMEDA-analyse - kun hardware)
- Funktionel sikkerhed til SIL 2 ifølge IEC 61508
Safe Failure Fraction (SFF) (andel af ufarlige fejl) på 91%
(Uvildig FMEDA-analyse - kun hardware)

Anvendelser under tryk

! ADVARSLER:

- Forsøg **aldrig** at løsne, afmontere eller adskille proceslslutningen eller instrumenthuset, mens indholdet er under tryk.
- Ukorrekt installation kan medføre tab af procestryk.

Installation



- **ADVARSLER:**
- Dette produkt kan kun fungere korrekt og sikkert, såfremt det transporteres, opbevares, installeres, indstilles, bruges og vedligeholdes rigtigt.
- Konstruktionsmaterialerne er valgt på basis af deres kemiske kompatibilitet (eller inert) ved almindelig brug. Hvis de skal udsættes for særlige omgivelser, bør foreneligheden kontrolleres i tabeller over kemiske kompatibiliteter inden installationen.
- Brugeren er ansvarlig for at vælge sammenboltning- og pakningsmaterialer, der ligger inden for flangens begrænsninger og dens påtænkte anvendelse, og som passer til anvendelsesforholdene.

Montagested

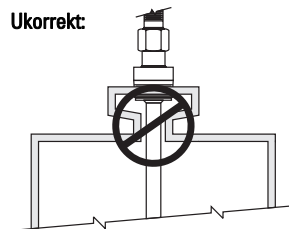
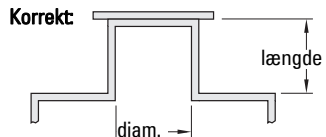
Bemærk: for en komplet monteringsvejledning for alle sondeversioner henvises der til SITRANS LG200 instruktionsbogen.

Anbefalinger

- Lettilgængeligt for programmering vha. apparatets trykknapper.
- Omgivelser, der svarer til instrumenthusets klassificering og konstruktionsmaterialer.

Forholdsregler

- Undgå at placere isolationsmateriale omkring dele af SITRANS LG200 transmitteren, inklusive sondens flange, da dette kan føre til overophedning.
- Undgå nærhed til højspændings- eller stærkstrømsledninger, højspændings- eller stærkstrømskontakter samt motorhastighedsregulatorer med variabel frekvens.
- Undgå interferens med emissionskeglen fra forhindringer eller påfyldningssystemet.
- Enkelt stav:
 1. Må ikke monteres i mundstykker med en diameter på <50 mm (2").
 2. Monteres i applikationer, hvor diameter/længde forholdet er 1:1 eller derover. Et forhold på under 1:1 (for eksempel et mundstykke på 2"x6" = 1:3) kan kræve en justering af blokeringsafstanden og/eller dielektricitetskonstanten.
 3. Undgå brug af reduktionsrør.
 4. Hold ledende genstande væk fra sonden for at sikre en korrekt funktion.
- Dobbelt stav:
 1. Den aktive stav skal monteres mindst 25 mm (1") fra enhver forhindring.
 2. Minimal "stillwell"- eller mundstykke diameter for sonden er 76 mm (3").



Generel montering af sonden

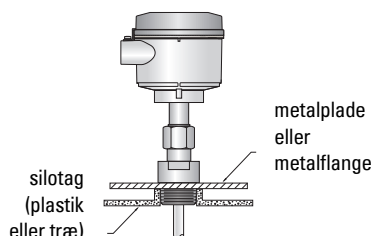
1. Kontroller, at procestilslutningen er mindst ¾" NPT for koaxiale sonder eller 2" NPT for stive sonder, eller at der er tale om en flangemontering.
2. Indfør forsigtigt sonden i beholderen. På installationer med flange, placér pakningen korrekt.
3. Placér sondens procestilslutning korrekt på gevind- eller flangetilslutningen på beholderen.
4. For gevindtilslutninger, stram sekskantmøtrikken på sondens procestilslutning. For flangetilslutninger, stram flangeboltene.

Installation i ikke-metalliske siloer

Til installation i beholdere af ikke-metallisk konstruktion eller eventuelt i åbne beholdere kræves en egnet referenceplade for at optimere impedansen af det transmitterede signal under dets bevægelse langs sonden. Et optimalt resultat kan ikke garanteres, med mindre der findes en passende overgang ved procestilslutningen.

Ved anvendelse af versioner med en enkelt stav (bøjelig eller stiv) og en procestilslutning med gevind, forbedres forholdene mærkbart med en metalplade eller -flange, der fungerer som en passende referenceplade.

En procestilslutning med flange kan normalt gøre det ud for en sådan referenceplade.



Bemærk: SITRANS LG200 opfylder CE-kravene til elektromagnetisk kompatibilitet (EN 61326-1/2006). Sonder med enkelt eller dobbelt stav skal anvendes i en metallisk beholder eller "stilling well" for at bevare CE-overholdelsen.

Installation af transmitteren (instrumenthus)

1. Fjern det beskyttende plastikdæksel fra toppen af sonden. Gem dækslet på et sikkert sted, i fald transmitteren på et senere tidspunkt skal afmonteres igen.
2. Anbring transmitteren på sonden. Pas på ikke at bøje eller tilsmudse højfrekvens-hanstikket af guld.
3. Placér universalforbindelsen nederst på transmitterhuset korrekt i forhold til toppen af sonden. Stram tilslutningen med håndkraft.
4. Drej transmitteren, så den vender den vej, der er mest praktisk for at tilslutte, konfigurere og aflæse den.
5. Når transmitteren vender i den ønskede retning, bruges en 38 mm (1½") nøgle til at stramme universalforbindelsen på transmitteren til 15 ft-lbs. Det anbefales kraftigt at bruge en momentnøgle. Dette er en kritisk samling. **HUSK AT STRAMME DEN MERE END MED HÅNDKRAFT.**

Elektrisk installation

Strømforsyning

ADVARSLER:



Alle HART-versionerne af SITRANS LG200-transmitteren fungerer ved spændinger fra 11 til 36 V dc. En højere spænding vil beskadige transmitteren.

Tilslutning af SITRANS LG200

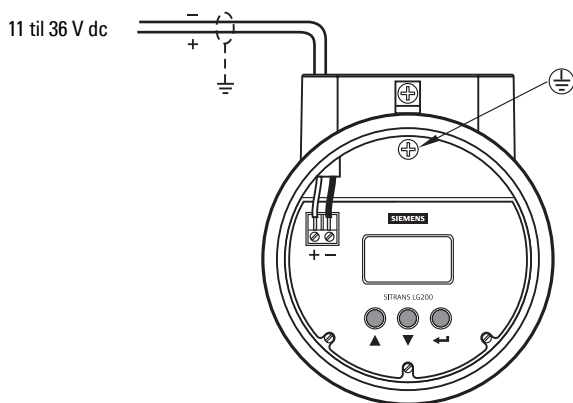
! ADVARSLER:

- **Kontrollér godkendelsesniveauet på instrumentets navneplade.**
- **Godkendte støv- og vandtætte kabelrørstætninger er påkrævet for udendørs Type 4/NEMA 4, IP65 placeringer.**

Bemærkninger:

- For detaljerede anvisninger om elinstallationen henvises der til den komplette instruktionsbog.
- Brug skærmet parsnoet kabel: 0,5 til 1 mm² (22 til 18 AWG).
- Forskellige kabler og kabelrør¹ kan være nødvendige for at overholde standardmetoderne for elinstallation af instrumentering eller de elektriske normer.

Elektrisk installation



RUN Mode og PROGRAM Mode

SITRANS LG200 har 2 driftstilstande: RUN og PROGRAM.

Når den er tændt, skifter displayet på LG200 hvert 2. sekund for at vise en af følgende fire værdier: **Status**, **Niveau**, **%Output** og **Sløjfestrøm**. I RUN mode, brug piletasterne ▲ ▼ til at skifte fra en visning til en anden. Displayet kan også sættes til at vise hver værdi individuelt.

I RUN mode, tryk på piletasterne ▲ ▼ for at rulle hen til den parameter, der skal redigeres.

Tryk på Enter ◀ for at skifte til PROGRAM mode (et udråbstegn ! vises som sidste tegn på øverste linie i displayet).

I PROGRAM mode, tryk på piletasterne ▲ ▼ for at skruer op eller ned for den viste værdi og for at bevæge sig til næste valgmulighed. Hold piletasterne nedtrykket for hurtigt gennemløb.

¹ Hvis kablet føres gennem kabelrør, brug kun muffer af en passende størrelse, der er godkendt til vandtætte applikationer.

Kvikstart programmering

1. Fjern dækslet fra elektronikken.
2. Brug Ned (▼) piletasten til at gå fra et trin i konfigurationsprogrammet til det næste.
3. Tryk på Enter (↵) tasten. Sidste tegn på øverste linie i displayet skifter til et udråbstegn (!).
4. Brug Op eller Ned piletasterne ▲ ▼ til at skru op eller ned for værdien på displayet eller gennemløbe valgmulighederne.
5. Tryk på Enter ↵ for at acceptere en værdi og gå til næste trin i konfigurationsprocessen (standard-passwordet er 0).
6. For at vende tilbage til RUN mode, rul hen til displayparametrene (*Status*).
7. Efter at sidste værdi er indtastet, skal der ventes i 10 sekunder, før strømmen slås fra transmitteren (gemme-funktion).

Beskyttelse med password (Standard = 0)

SITRANS LG200 transmitteren er beskyttet med et password for at begrænse adgangen til dele af menustrukturen, som har indflydelse på systemets drift. I **Program Mode**, når det korrekte password indtastes, er et udråbstegn (!) det sidste tegn på øverste linie i displayet. Passwordet kan ændres til en vilkårlig talværdi op til 255. Passwordet er påkrævet for enhver ændring af konfigurationsværdierne.

Som standard er brugerpasswordet sat til 0. Opgiv et nyt password i sidste trin af konfigurationsmenuen. Når passwordet er 0, er transmitteren ikke længere beskyttet, og enhver værdi i menuen kan ændres uden at behøve indtaste et password til bekræftelse, undtagen diagnoseværdierne.

Apparatet er ubeskyttet i fem minutter uden tryk på nogen knap, hvorefter den indstillede passwordbeskyttelse træder i kraft.

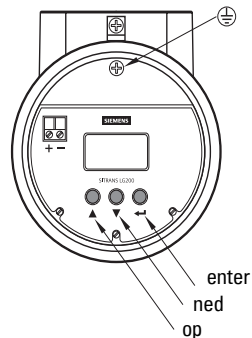
BEMÆRK: Hvis brugerpasswordet ikke kendes, viser menupunktet New Password en krypteret værdi, som svarer til det aktuelle password. Kontakt fabrikken og opgiv dette krypterede password for at få oplyst det aktuelle password.

Aktivering af SITRANS LG200

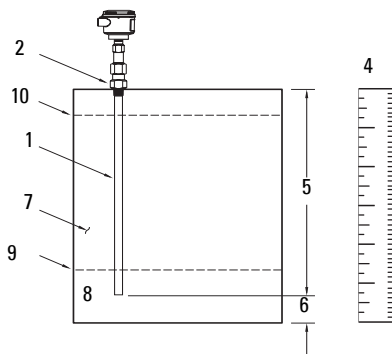
Tænd for LG200. Der startes i **RUN mode**, og displayet viser hvert 2. sekund en af fire skrivebeskyttede værdier: Status, Niveau, %Output og Sløjfestrøm.

Adgang til en parameter

1. Brug **PILE**-tasterne ▲ ▼ til at rulle ned til en redigerbar parameter. Hold piletasterne nedtrykket for hurtigt gennemløb.
2. Tryk på **Enter** ↵ for at vælge en parameter.
3. Brug **PILE**-tasterne ▲ ▼ til at vælge parameterens værdi.
4. Tryk på **Enter** ↵ for at acceptere en værdi og gå videre til næste trin i programmeringen.
5. LCD-displayet viser den nye parameter og værdien.



Kvikstart programmering



1. Sondemodel [se sondens navneplade (7MLxxxx-x) (7xX) for detaljer]: _____

2. Sondemontagetype NPT, BSP eller med flange [brug delnummeret til at bestemme sondemontagetypen (NPT og BSP har forskellig indførgslængde)]: _____

3. Målingstype (kun niveau, volumen, grænsefladeniveau eller grænseflade-niveau og volumen): _____

4. Niveaueenheder (tommer, centimeter, fod, meter): _____

5. Sondelængde [angivet i modelinformationen øverst på sonden (Bemærk Y01 = xxx cm)]: _____

6. Niveau-offset (Ønsket værdi for niveauet, når væsken står for enden af sonden): _____

7. Dielektricitetskonstant (interval for procesmediets dielektricitetskonstant, dielektricitetskonstant af øverste lag for grænsefladeapplikationer): _____

8. Sløjfestyling (Skal udgangsstrømmen styres af niveau eller volumen?): _____

9. Indstil 4,0 mA (Hvad er referencepunktet for værdien 4,0 mA?): _____

10. Indstil 20 mA (Hvad er referencepunktet for værdien 20,0 mA?): _____

Hurtig opsætning: trin 1 til 10

1. Vælg sondemodel (Standardværdi: 7xA-x)

Værdier	Vælg mellem: 7xA-x (7ML1301-1), 7xB-x (7ML1302-1), 7xD-x (7ML1301-2), 7xF-x (7ML1303-1), 7xF-E (7ML1303-1D), 7xF-F (7ML1303-1E), 7xF-4 (7ML1303-1J), 7xF-P (7ML1303-1H), 7xJ-x (7ML1303-2), 7xK-x (7ML1305-1), 7xP-x (7ML1301-3), 7xR-x (7ML1301-4), 7xS-x (7ML1301-5), 7xT-x (7ML1301-6), 7x1-x (7ML1304-1), 7x2-x (7ML1304-2), 7x5-x (7ML1302-2), 7x7-x (7ML1302-3)
---------	--

2. Vælg sondemontagetype (Standardværdi: NPT)

Værdier	NPT
	BSP
	Flange

3. Vælg målingstype (Standardværdi: Lvl Only (Kun niveau))

Værdier	Lvl	Vælg målingstype.
	Lvl&Vol	
	Ifc	
	Ifc&Vol	

4. Vælg niveaueenhed (Standardværdi: Tommer)

Værdier	cm
	tommer
	fod
	meter

5. Vælg sondelængde (Standardværdi: 120,0 tommer)

Værdier	Probe Ln xxx.x (Sondelængde xxx.x). Sondelængden fremgår af navnepladen og ordreinformationerne (i cm).
---------	---

6. Vælg niveau-offset (Standardværdi: 0 tommer)

Værdier	Interval: -61 til 762 cm (-24 til 300"). Niveau-offset er afstanden fra sondens spids til det ønskede nulniveau-punkt. Indtast den ønskede aflæsning, når sonden er tør.
---------	--

7. Vælg dielektricitetskonstant (Standardværdi: 10 – 100)

Værdier	1.4 – 1.7	Vælg et interval, der omfatter mediets dielektricitetskonstant. LG200 bruger denne indstilling af dielektricitetskonstanten til at justere følsomheden. Standardværdien afhænger af sonden (for 7ML1301-5 er indstillingen sat til 10–100; for grænseflademodulet, kun 7ML1301-6, vælg mellem 3–10 og 10–100).
	1.7 – 3	
	3 – 10	
	10 – 100	

8. Vælg sløjfestyring (Standardværdi: Lvl (Niveau))



Værdier	Lvl	Niveau	Vælg den variabel, der skal styre sløjfestrømmen.
	Lvl&Vol	Niveau og Volumen	
	Ifc	Niveau eller Grænsefladeniveau	
	Ifc&Vol	Niveau, Grænsefladeniveau, Volumen, Grænsefladevolumen	

9. 4 mA sætpunkt (Standardværdi: 0,0 tommer eller 0,0 gallon)

Værdier	Set 4 mA xxx.x (Sæt 4 mA til xxx.x) (Indtast PV-værdi for 4 mA punktet).	Indtast niveauet for 0% eller 4 mA output. Det kan være lavere eller højere end 20 mA punktet. Hvis der indtastes samme værdi for 4 mA- og 20 mA-punkterne, vil enheden vise 3,8 mA, når niveauet er under sætpunkterne, og 20,5 mA, når niveauet er over sætpunkterne. Der kan forekomme en lille overgangszone [0 til 15 cm (6")] øverst og nederst på sonden.
---------	--	---

10. 20 mA sætpunkt (Standardværdi: 120,0 tommer eller 396,3 gallon)

Værdier	Set 20 mA xxx.x (Sæt 20 mA til xxx.x) (Indtast PV-værdi for 20 mA punktet).	Indtast niveauet for 100% eller 20 mA output. Det kan være lavere eller højere end 4 mA punktet. Hvis der indtastes samme værdi for 4 mA- og 20 mA-punkterne, vil enheden vise 3,8 mA, når niveauet er under sætpunkterne, og 20,5 mA, når niveauet er over sætpunkterne. Der kan forekomme en lille overgangszone [0 til 15 cm (6")] øverst og nederst på sonden.
----------------	--	---

Brug **PILE**-tasterne   til at vende tilbage til **RUN** mode: den grundlæggende opsætning er færdig. Løb igennem for at vise sløjfe.

SITRANS LG200 Kommunikation: HART

- Det er nødvendigt at råde over den komplette manual for at have adgang til listen over mulige parametre.
- HART Device Description (DD) kan fås fra HART Communication Foundation på www.hartcomm.org
- Vi anbefaler dig at bruge SIMATIC Process Device Manager (PDM) til at programmere instrumentet.

Vedligeholdelse

SITRANS LG200 kræver ingen vedligeholdelse eller rengøring under normale driftsbetingelser. Såfremt rengøring skulle blive nødvendig under hårde driftsbetingelser:

1. Kontrollér sondematerialet og procesmediet og vælg et rengøringsmiddel, der ikke reagerer uhensigtsmæssigt med det ene eller det andet.
2. Tag apparatet ud af drift og tør sonden ren ved hjælp af en klud og et egnet rengøringsmiddel.

Reparation af instrumentet og ansvarsbegrænsning

For yderligere oplysninger henvises der til indersiden af bagomslaget.

SITRANS LG200 Kurzanleitung

Diese Betriebsanleitung ist eine Kurzfassung der wesentlichen Merkmale und Funktionen des SITRANS LG200. Es ist sehr empfehlenswert, die ausführliche Version der Anleitung zu erwerben, damit Sie Ihr Gerät optimal nutzen können. Die vollständige Betriebsanleitung finden Sie auf der SITRANS LG200 Produktseite unserer Website: <https://pia.khe.siemens.com/index.asp?Nr=15361>. Wenn Sie Fragen haben, wenden Sie sich bitte an:

Siemens Milltronics Process Instruments Inc.
1954 Technology Drive, P.O. Box 4225
Peterborough, Ontario, Kanada, K9J 7B1
E-Mail: techpubs.smpi@siemens.com

**Copyright Siemens Milltronics
Process Instruments Inc. 2008.
All Rights Reserved**

Haftungsausschluss

Wir fordern Benutzer auf, genehmigte, gebundene Betriebsanleitungen zu erwerben oder die von Siemens Milltronics Process Instruments Inc. entworfenen und genehmigten elektronischen Ausführungen zu lesen. Siemens Milltronics Process Instruments Inc. ist für den Inhalt auszugsweiser oder vollständiger Wiedergaben gebundener oder elektronischer Ausführungen nicht verantwortlich.

Wir haben den Inhalt der Druckschrift auf Übereinstimmung mit dem beschriebenen Gerät geprüft. Dennoch können Abweichungen nicht ausgeschlossen werden, so dass wir für die vollständige Übereinstimmung keine Gewähr übernehmen. Die Angaben in dieser Druckschrift werden regelmäßig überprüft, und notwendige Korrekturen sind in den nachfolgenden Auflagen enthalten. Für Verbesserungsvorschläge sind wir dankbar.
Technische Änderungen vorbehalten.

MILLTRONICS ist ein eingetragenes Warenzeichen der Siemens Milltronics Process Instruments Inc.

Sicherheitstechnische Hinweise

Warnhinweise müssen zu Ihrer persönlichen Sicherheit sowie der Sicherheit Dritter und zur Vermeidung von Sachschäden beachtet werden. Zu jedem Warnhinweis wird der jeweilige Gefährungsgrad angegeben.



WARNING: bezieht sich auf ein Warnsymbol auf dem Produkt und bedeutet, dass bei Nicht-Einhalt der entsprechenden Vorsichtsmaßnahmen Tod, schwere Körperverletzung und/oder erheblicher Sachschaden eintreten können.



WARNING¹: bedeutet, dass bei Nicht-Einhalt der entsprechenden Vorsichtsmaßnahmen Tod, schwere Körperverletzung und/oder erheblicher Sachschaden eintreten können.

Hinweis: steht für eine wichtige Information über das Produkt selbst oder den Teil der Betriebsanleitung, auf den besonders aufmerksam gemacht werden soll.

¹ Dieses Symbol wird verwendet, wenn sich kein entsprechendes Vorsichtssymbol auf dem Produkt befindet.

SITRANS LG200

- ! **WARNUNG:** Durch Änderungen oder Modifikationen, die nicht ausdrücklich von Siemens genehmigt wurden, kann die Berechtigung für den Betrieb dieses Geräts erlöschen.

Hinweise:

- Dieses Gerät wurde getestet und mit den für ein Digitalgerät der Class A geltenden Grenzwerten, gemäß Teil 15 der FCC-Bestimmungen, für konform erklärt. Diese Grenzwerte sollen einen angemessenen Schutz vor Störungen gewährleisten, wenn das Gerät in einem Handlungsumfeld betrieben wird.
- Das Gerät erzeugt und verwendet Funkfrequenzen und kann sie ausstrahlen. Wenn es nicht gemäß der Betriebsanleitung installiert und betrieben wird, können Funkstörungen auftreten. Der Betrieb des Gerätes in einem Wohnbereich kann Störungen verursachen. In diesem Fall ist der Benutzer angehalten, die Störung auf eigene Kosten zu beheben.
- Betriebssicherheit und Schutz des SITRANS LG200 sind nur gewährleistet, wenn das Gerät entsprechend dieser Betriebsanleitung betrieben wird.
- Dieses Produkt ist für den Einsatz im Industriebereich vorgesehen. Bei Verwendung in Wohngebieten kann es zu Störungen von verschiedenen Funkanwendungen kommen.

SITRANS LG200 ist ein Messumformer, der nach dem Prinzip der geführten Mikrowelle arbeitet, für kurze und mittlere Messbereiche. Er erlaubt die Messung von Füllstand, Füllstand/Trennschicht und Volumen von Flüssigkeiten und Schüttgütern. Die Messung erfolgt unbeeinflusst durch Änderungen der Prozessbedingungen, hohe Temperaturen, hohe Drücke und Dampf.

SITRANS LG200 unterstützt das HART¹ Kommunikationsprotokoll und die SIMATIC PDM Software.

Technische Daten

Eine vollständige Liste finden Sie in der SITRANS LG200 Betriebsanleitung.

Umgebungs-/Betriebstemperatur

- Umgebungstemperatur: -40 ... +80 °C (-40 ... +175 °F)
- Max. Prozesstemperatur und -druck: Abhängig von Sondentyp und Druck; nähere Angaben siehe Prozessschild

Hilfsenergie



Allgemeine Verwendung:

Eigensicher:

DC 11 ... 36 V

Druckfeste Kapselung:

¹. HART® ist eine Marke der HART Communications Foundation.

Zulassungen

Hinweis: Das Typenschild des Gerätes gibt die für Ihr Gerät gültigen Zulassungen an.

- Allgemeine Verwendung CSA/FM, CE, C-TICK
- Eigensicher FM Class I, Div. 1, Gruppen A, B, C, D, Class II, Div. 1, Gruppen E, F, G T4, Class III, Type 4 IP65
CSA Class I, Div. 1, Gruppen A, B, C, D, Class II, Div. 1, Gruppen E, F, G T4, Class III, Type 4 IP65
ATEX II 1G EEx ia IIC T4
- Druckfeste Kapselung (Explosion/Flame proof) FM Class I, Div. 1, Gruppen B, C, D, Class II, Div. 1, Gruppen E, F, G T4, Class III, Type 4, IP65
CSA Class I, Div. 1, Gruppen B, C, D, Class II, Div. 1, Gruppen E, F, G T4, Class III, Type 4 IP65
ATEX II 1/2 G EEx d [ja] IIC T6
ATEX II 1/2 D IP65 T85 °C
- Betriebsmittel für Zone 2 (Non-incendive) FM Class I, Div. 2, Gruppen A, B, C, D, Class II, Div. 2, Gruppen F, G T4, Class III, Type 4, IP65
CSA Class I, Div. 2, Gruppen A, B, C, D, Class II, Div. 2, Gruppen E, F, G T4, Class III, Type 4 IP65
- Nicht funkend ATEX II 3G EEx nA [nL] IIC T4 ... T6
ATEX II 3G EEx nA II T4 ... T6
- Andere Funktionssicherheit nach SIL 1 gemäß IEC 61508
Safe Failure Fraction (SFF) = 85,5% (Fremdanalyse FMEDA - nur Hardware)
Funktionssicherheit nach SIL 2 gemäß IEC 61508
Safe Failure Fraction (SFF) = 91% (Fremdanalyse FMEDA - nur Hardware)

Applikationen mit Druck

! WARNUNGEN:

- Versuchen Sie **nicht** den Prozessanschluss oder das Gehäuse zu lockern, zu entfernen oder auseinanderzubauen, während der Inhalt des Behälters unter Druck steht.
- Eine unsachgemäße Installation kann zu Druckverlust im Prozess führen.

Installation



- **WARNUNGEN:**
- **Der einwandfreie und sichere Betrieb des Produktes setzt sachgemäßen Transport, Lagerung, Aufstellung und Montage sowie sorgfältige Bedienung und Instandhaltung voraus.**
- **Die Werkstoffe werden entsprechend ihrer chemischen Beständigkeit (oder Trägheit) für allgemeine Zwecke gewählt. Bei Einsatz in besonderen Umgebungen prüfen Sie vor Installation die chemische Beständigkeit anhand einschlägiger Tabellen.**
- **Der Benutzer ist für die Auswahl von Schraub- und Dichtungsmaterial verantwortlich. Dieses muss den für den Flansch aufgestellten Bedingungen und dessen bestimmter Verwendung entsprechen und für die Betriebsbedingungen geeignet sein.**

Einbauort

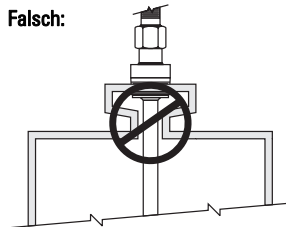
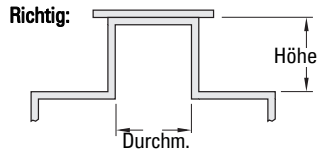
Hinweis: Ausführliche Hinweise zur Montage aller Sondenausführungen finden Sie in der Betriebsanleitung des SITRANS LG200.

Empfehlungen

- Einfacher Zugang für die Programmierung des Gerätes über Bedientasten.
- Umgebungsbedingungen kompatibel mit den Nennwerten des Gehäuses und den Werkstoffen.

Vorsichtsmaßnahmen

- SITRANS LG200 Messumformer und Sondenflansch dürfen nicht mit Isoliermaterial bedeckt werden. Es kann sonst zu einem überhöhten Temperaturanstieg kommen.
- Vermeiden Sie Standorte in der Nähe von Hochspannungs- oder Motorleitungen, Schaltschützen oder Frequenzumrichtern (Thyristor Steuerantriebe).
- Vermeiden Sie Störungen des Radarkegels durch Einbauten oder durch die Befüllung.
- Monosonde:
 1. Nicht in Montagestutzen mit einem Durchmesser <math>< 50 \text{ mm (2")}</math> einbauen.
 2. Das Verhältnis Stutzendurchmesser:Höhe muss 1:1 oder größer sein. Bei einem Verhältnis von weniger als 1:1 (z. B. einem 2"x 6" Montagestutzen = 1:3) kann die Einstellung von Blockdistanz und/oder Dielektrizitätszahl erforderlich sein.
 3. Keine Rohr-Reduzierstücke verwenden.
 4. Leitfähige Objekte sind von der Sonde fernzuhalten, um eine sichere Funktion zu gewährleisten.
- Doppelsonde:
 1. Der aktive Stababschnitt muss mindestens 25 mm (1") von allen Einbauten entfernt sein.
 2. Der Minstdurchmesser des Masserohrs oder Montagestutzens für die Sonde beträgt 76 mm (3").



Allgemeine Hinweise zur Sondenmontage

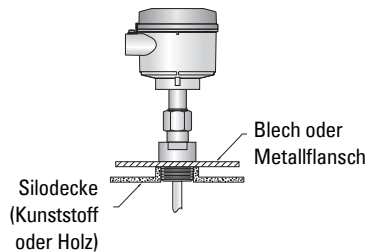
1. Der Prozessanschluss muss mindestens $\frac{3}{4}$ " NPT bei Koaxsonden, 2" NPT bei Stabsonden oder eine Flanschmontage sein.
2. Bringen Sie die Sonde vorsichtig im Behälter an. Bei einer Flanschmontage ist die Dichtung anzupassen.
3. Der Prozessanschluss der Sonde ist nach der Gewinde- oder Flanschmontage auf dem Behälter auszurichten.
4. Bei Gewindeanschlüssen ziehen Sie die Sechskantmutter des Sonden-Prozessanschlusses an. Bei Flanschanschlüssen ziehen Sie die Flanschschrauben an.

Einbau in nicht metallische Behälter

Für den Einbau in Behälter nicht metallischer Bauform bzw. in offene Behälter ist eine geeignete Bezugsplatte erforderlich, um die Impedanz des übertragenen Signals während seiner Laufzeit entlang der Sonde zu optimieren. Wenn kein geeignetes Übergangsstück am Prozessanschluss verfügbar ist, kann keine optimale Leistung gewährleistet werden.

Bei Monosonden (flexibel oder starr) und Gewindeprozessanschlüssen werden die Bedingungen durch Einsatz eines Bleches oder Flansches erheblich verbessert, weil dies als geeignete Bezugsplatte fungiert.

Im Allgemeinen ist ein Prozessanschluss mit Flansch zur Bereitstellung einer solchen Bezugsplatte akzeptierbar.



Hinweis: SITRANS LG200 erfüllt CE Anforderungen für Elektromagnetische Verträglichkeit (EN 61326-1/2006). Mono- und Doppelsonden dürfen nur in Metallbehältern oder Messrohren verwendet werden, um die Einhaltung der CE Vorschriften zu gewährleisten.

Einbau des Messumformers (Gehäuse)

1. Entfernen Sie die Schutzkappe aus Kunststoff oben an der Sonde. Bewahren Sie sie an einem sicheren Ort auf, falls der Messumformer später ausgebaut werden muss.
2. Bringen Sie den Messumformer auf der Sonde an. Geben Sie acht, den Hochfrequenz-Goldstecker nicht zu verbiegen oder zu verschmutzen.
3. Richten Sie den Universalanschluss unten am Messumformer-Gehäuse mit dem oberen Teil der Sonde aus. Ziehen Sie von Hand an.
4. Drehen Sie den Messumformer so, dass Anschluss, Konfiguration und Ablesen bequem möglich sind.
5. Wenn der Messumformer in die gewünschte Richtung zeigt, ziehen Sie den Universalanschluss am Messumformer mit einem 38 mm ($1\frac{1}{2}$ ") Schlüssel auf 20 Nm (15 ft-lbs) an. Wir empfehlen die Verwendung eines Drehmomentschlüssels. Dieser Anschluss ist kritisch. **DAS ANZIEHEN VON HAND IST NICHT AUSREICHEND.**

Verkabelung

Hilfsenergie

WARNUNGEN:



Die HART Ausführungen des SITRANS LG200 Messumformers arbeiten alle bei DC 11 bis 36 V. Höhere Spannungswerte führen zu einer Beschädigung des Messumformers.

Anschluss des SITRANS LG200

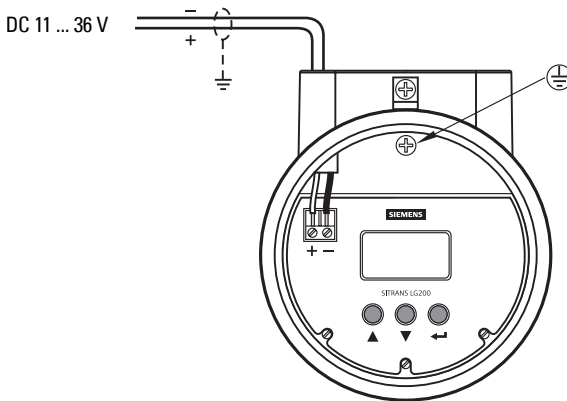
! WARNUNGEN:

- Überprüfen Sie die Zulassungen auf dem Typenschild Ihres Gerätes.
- Im Außenbereich IP65, Type 4/NEMA 4 sind zugelassene staub- und wasserdichte Leitungsverschlüsse erforderlich.

Hinweise:

- Für ausführliche Anweisungen zum Anschluss schlagen Sie bitte in der Betriebsanleitung nach.
- Verwenden Sie geschirmtes Kabel mit verdrehtem Aderpaar: 0,5 ... 1 mm² (AWG 22 ... 18).
- Eine getrennte Leitungsverlegung¹ kann erforderlich sein, um Standardanforderungen an den Anschluss oder elektrische Richtlinien zu erfüllen.

Anschluss



Deutsch

RUN Modus und PROGRAMMIER-Modus

SITRANS LG200 besitzt 2 Betriebsarten: RUN und PROGRAMMIERUNG.

Nachdem das Gerät eingeschaltet wurde, wechselt das LG200 Display alle 2 Sekunden, um einen der vier Werte anzuzeigen: **Status**, **Füllstand**, **%Ausgang** und **Schleifenstrom**. Im RUN Modus verwenden Sie die Pfeiltasten ▲ ▼, um von einer Anzeige zur nächsten zu wechseln. Es ist auch möglich, das Display auf jeweils eine einzelne Anzeige einzustellen.

Im RUN Modus drücken Sie die Pfeiltasten ▲ ▼, um bis zum Parameter zu blättern, der bearbeitet werden soll. Drücken Sie Enter ◀ zum Umschalten in den PROGRAMMIER-Modus (als letztes Zeichen in der oberen Anzeigezeile erscheint ein Ausrufezeichen !).

Im PROGRAMMIER-Modus wird der angezeigte Wert durch Drücken der Pfeil-Tasten ▲ ▼ erhöht bzw. vermindert und die nächste Option aufgerufen. Für einen Schnelldurchlauf halten Sie die Pfeiltaste gedrückt.

¹ Bei einer Kabeleinführung über Schutzrohr (Conduit) verwenden Sie nur zugelassene Rohrverschraubungen geeigneter Größe für wassergeschützte Applikationen.

Schnellstartprogrammierung

1. Öffnen Sie den Deckel der Elektronik.
2. Bewegen Sie sich mit der Pfeiltaste nach unten (▼) von einem Schritt des Konfigurationsprogramms zum nächsten.
3. Drücken Sie die Taste Enter (↵). Das letzte Zeichen in der ersten Displayzeile wird zu einem Ausrufezeichen (!).
4. Mit den Tasten Pfeil nach oben bzw. nach unten ▲ ▼ kann der Wert in der Anzeige erhöht bzw. vermindert oder die Optionen durchblättert werden.
5. Drücken Sie die Enter Taste (↵) zur Bestätigung eines Wertes und gehen Sie zum nächsten Schritt des Konfigurationsprozesses über (das Vorgabe-Passwort ist 0).
6. Zur Rückkehr in den RUN Modus blättern Sie auf die Anzeigeparameter (*Status*).
7. Das Gerät benötigt zum Sichern der Einstellungen 10 Sekunden; in dieser Zeit sollte es nicht ausgeschaltet werden.

Passwortschutz (Voreinstellung = 0)

Der SITRANS LG200 Messumformer ist durch ein Passwort geschützt, um den Zugriff auf die Teile der Menüstruktur, die den Systembetrieb betreffen, einzuschränken. Bei Eingabe des richtigen Passwortes erscheint im **Programmiermodus** ein Ausrufezeichen (!) als letztes Zeichen in der ersten Display-Zeile. Das Passwort kann auf einen beliebigen numerischen Wert bis 255 eingestellt werden. Seine Eingabe ist zur Änderung von Konfigurationswerten erforderlich.

Die Werkseinstellung des Benutzer-Passwortes ist 0. Geben Sie im letzten Schritt des Konfigurationsmenüs ein neues Passwort ein. Wenn das Passwort 0 ist, bietet der Messumformer keinen Passwortschutz und alle Werte im Menü, mit Ausnahme von Diagnosewerten, können ohne Eingabe eines Passwortes zur Bestätigung geändert werden.

Wenn keine Taste gedrückt wird, bleibt das Gerät fünf Minuten lang ohne Schutz. Daraufhin wird der eingestellte Passwortschutz gültig.

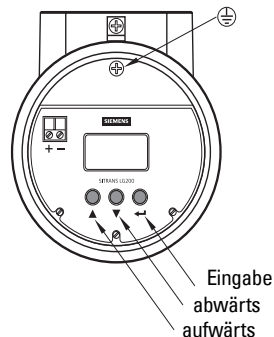
HINWEIS: Wenn das Benutzer-Passwort nicht bekannt ist, rufen Sie den Menüeintrag Neues Passwort auf. Dort wird ein verschlüsselter Wert für das vorhandene Passwort angezeigt. Kontaktieren Sie das Werk mit diesem verschlüsselten Wert, um das aktuelle Passwort zu bestimmen.

Einschalten des SITRANS LG200

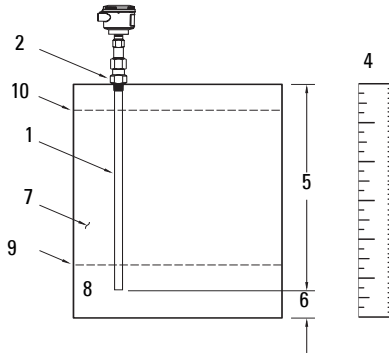
Setzen Sie den LG200 unter Spannung. Er startet im **RUN** Modus und auf der Anzeige erscheint alle 2 Sekunden einer von vier Werten (nur lesbar): Status, Füllstand, %Ausgang und Schleifenstrom.

Zugriff auf einen Parameter

1. Zum Blättern auf einen editierbaren Parameter verwenden Sie die **PFEIL**-Tasten ▲ ▼. Für einen Schnelldurchlauf halten Sie die Pfeiltasten gedrückt.
2. Drücken Sie **Enter** (↵) zur Auswahl eines Parameters.
3. Mit den **PFEIL**-Tasten ▲ ▼ kann der Parameterwert gewählt werden.
4. Mit **Enter** (↵) wird ein Wert bestätigt und der nächste Schritt der Programmierung aufgerufen.
5. Das LCD zeigt den neuen Parameter mit Wert an.



Schnellstart Programmierung



1. Sondenausführung [Nähere Angaben finden Sie auf dem Typenschild der Sonde (7MLxxx-x) (7xX)]: _____
2. Sondenmontage: NPT, BSP oder Flansch [verwenden Sie die Artikelnummer, um den Montagetyp zu ermitteln (NPT und BSP unterscheiden sich in der Einbaulänge)]:

3. Messart (Füllstand, Volumen, Trennschicht oder Trennschicht und Volumen):

4. Füllstandeinheit (Zentimeter, Zoll, Meter, Feet): _____
5. Sondenlänge [siehe Ausführungsdaten oben an der Sonde (Beachten Sie: Y01 = xxx cm)]: _____
6. Füllstand-Offset (Gewünschter Füllstandmesswert, wenn die Flüssigkeit am Sondenende ist.): _____
7. Dielektrizitätszahl (Reichweite des Dielektrikums des Prozessmediums, dK der oberen Schicht bei Trennschichtmessungen): _____
8. Schleifenstromüberwachung (Steuerung des Ausgangsstroms durch Füllstand oder Volumen?): _____
9. Einstellung 4,0 mA (Was ist der Bezugspunkt für den 4,0 mA Wert?): _____
10. Einstellung 20 mA (Was ist der Bezugspunkt für den 20,0 mA Wert?): _____

Schnellstart: Schritte 1 ... 10

1. Auswahl Sondenausführung (Voreinstellung: 7xA-x)

Werte	Auswahl von: 7xA-x (7ML1301-1), 7xB-x (7ML1302-1), 7xD-x (7ML1301-2), 7xF-x (7ML1303-1), 7xF-E (7ML1303-1D), 7xF-F (7ML1303-1E), 7xF-4 (7ML1303-1J), 7xF-P (7ML1303-1H), 7xJ-x (7ML1303-2), 7xK-x (7ML1305-1), 7xP-x (7ML1301-3), 7xR-x (7ML1301-4), 7xS-x (7ML1301-5), 7xT-x (7ML1301-6), 7x1-x (7ML1304-1), 7x2-x (7ML1304-2), 7x5-x (7ML1302-2), 7x7-x (7ML1302-3)
--------------	--

2. Einstellung Montagetypp der Sonde (Voreinstellung: NPT)

Werte	NPT
	BSP
	Flansch

3. Auswahl Messart (Voreinstellung: Füll Mod)

Werte	Füll Mod (nur Füllstand)	Auswahl der Messart.
	Füll&Vol (Füllstand&Volumen)	
	Trenschicht (Trennschicht)	
	Tren.Vol (Trennschicht&Vol.)	

4. Auswahl Einheiten (Voreinstellung: Zoll)

Werte	cm
	Zoll
	Feet
	Meter

5. Auswahl Sondenlänge (Voreinstellung: 305 cm/120,0")

Werte	Snd Länge xxx.x. Die Sondenlänge ist auf dem Typenschild abgedruckt und in den Bestelldaten ersichtlich (in cm).
-------	--

6. Auswahl Füllstand-Offset (Voreinstellung: 0,0 cm/0")

Werte	Bereich: -61 ... 762 cm (-24 ... 300"). Der Füllstand-Offset entspricht dem Abstand von der Sondenspitze zum gewünschten Nullpunkt des Füllstands. Geben Sie den gewünschten Messwert ein, wenn die Sonde trocken ist.
-------	--

7. Auswahl Dielektrizitätszahl (Voreinstellung: 10 – 100)

Werte	1,4 – 1,7	Auswahl der Reichweite des Dielektrikums des Mediums. Der LG200 verwendet diese Einstellung der Dielektrizitätszahl, um die Empfindlichkeit anzupassen. Die Voreinstellung ist sondenabhängig (für 7ML1301-5 gilt die
	1,7 – 3	
	3 – 10	Auswahl 10-100; für die Ausführung Trennschicht, nur 7ML1301-6, wählen Sie 3-10 oder 10-100).
	10 – 100	

8. Auswahl Schleifenstromüberwachung (Voreinstellung: Lvl/Füllstand)

Werte	Füllstnd	Füllstand	Auswahl der Variablen zur Überwachung des Schleifenstroms.
	Volumen	Füllstand und Volumen	
	TrenStnd	Füllstand oder Trennschicht Füllstand	
	Tren.Vol	Füllstand, Trennschicht Füllstand, Volumen, Trennschicht Volumen	

9. 4 mA Ausgangsniveau (Voreinstellung: 0,0 cm/0" bzw. 0,0 Gallons)

Werte	Kal 4 mA xxx.x (Eingabe Messwert für das 4 mA Niveau).	Eingabe des Füllstands für 0% oder den 4 mA Ausgang. Er kann niedriger oder höher als das 20 mA Niveau sein. Bei Eingabe desselben Wertes für die 4 mA und 20 mA Niveaus zeigt das Gerät 3,8 mA an, wenn der Füllstand unter dem Niveau liegt, bzw. 20,5 mA, wenn der Füllstand über dem Niveau liegt. Am oberen oder unteren Teil der Sonde kann eine kleine Übergangszone [0 ... 15 cm (6")] vorliegen.
-------	--	---

10. 20 mA Ausgangsniveau (Voreinstellung: 305 cm/120.0" bzw. 396,3 Gallonen)

Werte	Kal 20 mA xxx.x. (Eingabe Messwert für das 20 mA Niveau).	Eingabe des Füllstands für 100% oder den 20 mA Ausgang. Er kann niedriger oder höher als das 4 mA Niveau sein. Bei Eingabe desselben Wertes für die 4 mA und 20 mA Niveaus zeigt das Gerät 3,8 mA an, wenn der Füllstand unter dem Niveau liegt, bzw. 20,5 mA, wenn der Füllstand über dem Niveau liegt. Am oberen oder unteren Teil der Sonde kann eine kleine Übergangszone [0 ... 15 cm (6")] vorliegen.
--------------	--	---

Verwenden Sie die **PFEIL**-Tasten ▲ ▼ zur Rückkehr in den **RUN** Modus: die Grundeinstellung ist beendet. Blättern Sie durch die Displayschleife.

SITRANS LG200 Kommunikation: HART

- Eine Liste aller zutreffenden Parameter finden Sie in der ausführlichen Betriebsanleitung.
- Die HART Gerätebeschreibung (DD) erhalten Sie von der HART Communication Foundation unter www.hartcomm.org.
- Zur Programmierung Ihres Geräts empfehlen wir SIMATIC Process Device Manager (PDM).

Wartung

Unter normalen Betriebsbedingungen erfordert der SITRANS LG200 keine Wartung oder Reinigung. Bei sehr harten Betriebsbedingungen wird eine Reinigung jedoch erforderlich:

1. Berücksichtigen Sie das Sondenmaterial und das Prozessmedium und wählen Sie dementsprechend ein angemessenes Reinigungsmittel.
2. Bauen Sie das Gerät aus und wischen Sie die Sonde mit einem Tuch und einer geeigneten Reinigungslösung ab.

Gerätereparatur und Haftungsausschluss

Nähere Angaben finden Sie auf der hinteren Umschlaginnenseite.

Περιληπτικό Εγχειρίδιο Οδηγιών του SITRANS LG200

Το παρόν εγχειρίδιο περιγράφει τα βασικά χαρακτηριστικά και λειτουργίες του SITRANS LG200. Σας συνιστούμε να αποκτήσετε την αναλυτική έκδοση του εγχειριδίου, ώστε να μπορείτε να αξιοποιήσετε όλες τις δυνατότητες της συσκευής σας. Το πλήρες εγχειρίδιο διατίθεται από τη σελίδα προϊόντος του SITRANS LG200 της τοποθεσίας μας Web στο Διαδίκτυο: <https://pia.khe.siemens.com/index.asp?Nr=15361>. Ερωτήσεις σχετικά με το περιεχόμενο του εγχειριδίου αυτού μπορείτε να απευθύνετε προς τη:

Siemens Milltronics Process Instruments Inc.
1954 Technology Drive, P.O. Box 4225
Peterborough, Ontario, Canada, K9J 7B1
Email: techpubs.smpi@siemens.com

Πνευματικά δικαιώματα: Siemens
Milltronics Process Instruments Inc.
2008.

Δήλωση αποποίησης

Με την επιφύλαξη παντός δικαιώματος

Παροτρύνουμε τους χρήστες να αγοράζουν εξουσιοδοτημένα έντυπα εγχειρίδια ή να ανατρέχουν σε ηλεκτρονικές εκδόσεις των εγχειριδίων που έχουν δημιουργηθεί και εγκριθεί από τη Siemens Milltronics Process Instruments Inc. Η Siemens Milltronics Process Instruments Inc. δεν φέρει ευθύνη για τα περιεχόμενα των αντιγράφων ολόκληρου ή μέρους του αναπαραχθέντος εγχειριδίου, ανεξάρτητα από το αν πρόκειται για ηλεκτρονική έκδοση ή εκτυπωμένο αντίγραφο.

Παρόλο που έχουμε ελέγξει ότι τα περιεχόμενα του παρόντος εγχειριδίου συμφωνούν με τα όργανα που περιγράφονται, τυχόν διαφοροποιήσεις είναι πιθανές. Επομένως, δεν μπορούν να εγγυηθούμε πλήρη συμφωνία μεταξύ των περιεχομένων του και της συσκευής που αγοράσατε. Τα περιεχόμενα του εγχειριδίου αυτού επανεξετάζονται σε τακτά χρονικά διαστήματα και οι διορθώσεις ενσωματώνονται στις νέες εκδόσεις του. Κάθε πρόταση για τυχόν βελτιώσεις είναι ευπρόσδεκτη.

Τα τεχνικά χαρακτηριστικά υπόκεινται σε τροποποιήσεις.

Η ονομασία MILLTRONICS είναι σήμα κατατεθέν της Siemens Milltronics Process Instruments Inc.

Οδηγίες ασφαλείας

Οι προειδοποιητικές υποδείξεις πρέπει να τηρούνται προκειμένου να διασφαλίζεται η προσωπική σας ασφάλεια και η ασφάλεια τρίτων καθώς και να προστατεύεται το προϊόν και ο συνδεδεμένος με αυτό εξοπλισμός. Οι προειδοποιητικές υποδείξεις συνοδεύονται από μια επεξήγηση σχετικά με το βαθμό της προφύλαξης που πρέπει να λαμβάνεται.



ΠΡΟΕΙΔΟΠΟΙΗΣΗ: σχετίζεται με ένα προειδοποιητικό σύμβολο πάνω στο προϊόν και σημαίνει ότι η μη τήρηση των απαιτούμενων προφυλάξεων μπορεί να προκαλέσει θάνατο, σοβαρό τραυματισμό και/ή σημαντικές υλικές ζημιές.



ΠΡΟΕΙΔΟΠΟΙΗΣΗ¹: σημαίνει ότι η μη τήρηση των απαιτούμενων προφυλάξεων μπορεί να προκαλέσει θάνατο, σοβαρό τραυματισμό και/ή σημαντικές υλικές ζημιές.

Σημείωση: επισημαίνει σημαντικές πληροφορίες σχετικά με το προϊόν ή με το συγκεκριμένο τμήμα του εγχειριδίου χρήσης.

¹ Αυτό το σύμβολο χρησιμοποιείται όταν δεν υπάρχει αντίστοιχο προειδοποιητικό σύμβολο στο προϊόν.

SITRANS LG200

- ! **ΠΡΟΕΙΔΟΠΟΙΗΣΗ: Αλλαγές ή τροποποιήσεις χωρίς ρητή έγκριση από τη Siemens θα μπορούσαν να ακυρώσουν την άδεια του χρήστη να χρησιμοποιεί τον εξοπλισμό.**

Σημειώσεις:

- Ο παρών εξοπλισμός ελέγχθηκε και βρέθηκε ότι συμμορφώνεται με τα όρια ψηφιακής συσκευής Κλάσης A, σύμφωνα με το Μέρος 15 των κανόνων της επιτροπής FCC. Τα όρια αυτά έχουν οριστεί για να παρέχουν λογική προστασία από επιβλαβείς παρεμβολές, όταν ο εξοπλισμός λειτουργεί σε επιχείρηση.
- Ο παρών εξοπλισμός παράγει, χρησιμοποιεί και μπορεί να εκπέμπει ενέργεια ραδιοσυχνοτήτων και, σε περίπτωση που δεν εγκατασταθεί και χρησιμοποιηθεί σύμφωνα με το εγχειρίδιο οδηγιών, ενδέχεται να προκαλέσει επιβλαβείς παρεμβολές στις ραδιοεπικοινωνίες. Είναι πιθανόν η λειτουργία του παρόντος εξοπλισμού σε κατοικημένη περιοχή να προκαλέσει επιβλαβείς παρεμβολές, περίπτωση κατά την οποία απαιτείται από το χρήστη να διορθώσει τις παρεμβολές με δικό του κόστος.
- Το SITRANS LG200 πρέπει να χρησιμοποιείται μόνο με τον τρόπο που περιγράφεται στο παρόν εγχειρίδιο, διαφορετικά ενδέχεται να διακυβευτεί η ασφάλεια που παρέχει ο εξοπλισμός.
- Το παρόν προϊόν προορίζεται για χρήση σε βιομηχανικές περιοχές. Η λειτουργία του παρόντος εξοπλισμού σε κατοικημένη περιοχή ενδέχεται να προκαλέσει παρεμβολές σε ορισμένες ραδιοεπικοινωνίες.

Το SITRANS LG200 είναι ένας πομπός ραντάρ οδηγούμενου κύματος που μετρά τη στάθμη, τη στάθμη/διαχωριστική επιφάνεια και τον όγκο υγρών και στερεών σε μικρή και μεσαία κλίμακα. Δεν επηρεάζεται από τυχόν αλλαγές στις συνθήκες διεργασίας, τις υψηλές θερμοκρασίες και πιέσεις ούτε από τον ατμό.

Το SITRANS LG200 υποστηρίζει το πρωτόκολλο επικοινωνίας¹ HART και το λογισμικό SIMATIC PDM.

Προδιαγραφές

Για τον πλήρη κατάλογο προδιαγραφών, ανατρέξτε στο εγχειρίδιο οδηγιών του SITRANS LG200.

Θερμοκρασία περιβάλλοντος/λειτουργίας

- Θερμοκρασία περιβάλλοντος: -40 έως +80 °C (-40 έως +175 °F)
- Μέγ. θερμοκρασία και πίεση διεργασίας: ανάλογα με τον τύπο αισθητηρίου και την πίεση, ανατρέξτε στην ετικέτα της συσκευής διεργασίας για λεπτομέρειες

Τροφοδοσία



Γενικής χρήσης:

Ενδογενώς ασφαλής:

Αντικερκτική:

11 έως 36 V DC

¹. Το HART® είναι σήμα κατατεθέν του HART Communication Foundation.

Εγκρίσεις

Σημείωση: Στην πινακίδα ονόματος της συσκευής αναγράφονται οι εγκρίσεις που ισχύουν για τη συσκευή σας.

- Γενική χρήση CSA/FM, CE, C-TICK
- Ενδογενώς ασφαλής FM Κλάση I, Τμ. 1, Ομάδες A, B, C, D, Κλάση II, Τμ. 1, Ομάδες E, F, G T4, Κλάση III, Τύπος 4, IP65
- CSA Κλάση I, Τμ. 1, Ομάδες A, B, C, D, Κλάση II, Τμ. 1, Ομάδες E, F, G T4, Κλάση III, Τύπος 4, IP65
- ATEX II 1G EEx ia IIC T4
- Αντιεκρηκτική/ Πυρίμαχη FM Κλάση I, Τμ. 1, Ομάδες B, C, D, Κλάση II, Τμ. 1, Ομάδες E, F, G T4, Κλάση III, Τύπος 4, IP65
- CSA Κλάση I, Τμ. 1, Ομάδες B, C, D, Κλάση II, Τμ. 1, Ομάδες E, F, G T4, Κλάση III, Τύπος 4, IP65
- ATEX II 1/2 G EEx d [ia] IIC T6
- ATEX II 1/2 D IP65 T85 °C
- Μη εμπρηστική FM Κλάση I, Τμ. 2, Ομάδες A, B, C, D, Κλάση II, Τμ. 2, Ομάδες F, G T4, Κλάση III, Τύπος 4, IP65
- CSA Κλάση I, Τμ. 2, Ομάδες A, B, C, D, Κλάση II, Τμ. 2, Ομάδες E, F, G T4, Κλάση III, Τύπος 4, IP65
- Μη σπινθηρογόνος ATEX II 3G EEx nA [nL] IIC T4 έως T6
- ATEX II 3G EEx nA II T4 έως T6
- Λοιπές Ασφάλεια λειτουργίας έως SIL 1 σύμφωνα με το IEC 61508
- Ποσοστό «ασφαλών» αστοχιών (SFF) 85,5 % (Εξέταση FMEDA τρίτων κατασκευαστών - μόνο υλισμικό)
- Ασφάλεια λειτουργίας έως SIL 2 σύμφωνα με το IEC 61508
- Ποσοστό «ασφαλών» αστοχιών (SFF) 91% (Εξέταση FMEDA τρίτων κατασκευαστών - μόνο υλισμικό)

Συσκευή υπό πίεση

! ΠΡΟΕΙΔΟΠΟΙΗΣΕΙΣ:

- **Μην επιχειρήσετε να χαλαρώσετε, να αφαιρέσετε ή να αποσυναρμολογήσετε το συνδετήρα διεργασίας ή το περίβλημα του οργάνου, ενώ τα περιεχόμενα του δοχείου βρίσκονται υπό πίεση.**
- **Η μη ενδεδειγμένη εγκατάσταση μπορεί να έχει ως αποτέλεσμα την απώλεια της πίεσης διεργασίας.**

Εγκατάσταση



ΠΡΟΕΙΔΟΠΟΙΗΣΕΙΣ:

- Το παρόν προϊόν μπορεί να λειτουργεί κανονικά και με ασφάλεια μόνο αν μεταφέρεται, αποθηκεύεται, τοποθετείται, ρυθμίζεται, χρησιμοποιείται και συντηρείται σωστά.
- Τα υλικά κατασκευής έχουν επιλεγεί με βάση τη χημική τους συμβατότητα (ή αδράνεια) για γενική χρήση. Σε ό,τι αφορά στην έκθεση σε συγκεκριμένο περιβάλλον, αντιπαραβάλετε με τους πίνακες χημικής συμβατότητας πριν προχωρήσετε στην εγκατάσταση.
- Ο χρήστης είναι υπεύθυνος για την επιλογή των υλικών πάκτωσης και των παρεμβυσμάτων, ώστε να εμπίπτουν στα όρια της φλάντζας και της προβλεπόμενης χρήσης της, και τα οποία να είναι κατάλληλα για τις συνθήκες λειτουργίας.

Θέση τοποθέτησης

Σημείωση: Για τις πλήρεις οδηγίες τοποθέτησης όλων των εκδόσεων αισθητήριων, ανατρέξτε στο εγχειρίδιο οδηγιών του SITRANS LG200.

Συστάσεις

- Εύκολη πρόσβαση για προγραμματισμό μέσω των κουμπιών πίεσης της συσκευής.
- Κατάλληλο περιβάλλον ανάλογα με τα ονομαστικά χαρακτηριστικά του περιβλήματος και τα υλικά κατασκευής.

Προφυλάξεις

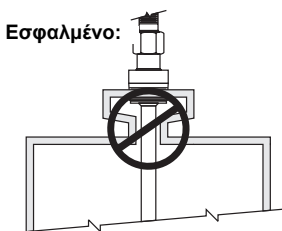
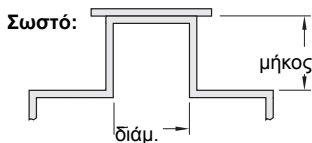
- Μην τοποθετείτε μονωτικό υλικό γύρω από οποιοδήποτε εξάρτημα του πομπού SITRANS LG200, συμπεριλαμβανομένης της φλάντζας του αισθητήριου, διότι κάτι τέτοιο ενδέχεται να προκαλέσει υπερθέρμανση.
- Αποφύγετε τη γεινίαση με υψηλές τάσεις ή καλώδια με ρεύμα, επαφές υψηλής τάσης ή ρεύματος και ελεγκτές ταχύτητας κινητήρων μεταβλητής συχνότητας.
- Αποφύγετε τις παρεμβολές στον κώνο εκπομπής από εμπόδια ή από τη διαδρομή πλήρωσης.

Μονή ράβδος:

1. Μην το τοποθετείτε σε ακροφύσια διαμέτρου <math>< 50 \text{ mm}</math> (2").
2. Τοποθετήστε το σε εφαρμογές όπου ο λόγος διαμέτρου προς μήκος είναι 1:1 ή μεγαλύτερος. Αν ο λόγος αυτός είναι μικρότερος από 1:1 (για παράδειγμα, ένα ακροφύσιο 2"x6" = 1:3), ενδέχεται να χρειαστεί η τήρηση μιας απόστασης μπλοκαρίσματος και/ή ρύθμιση της διηλεκτρικής σταθεράς.
3. Μην χρησιμοποιείτε συστολικά σωλήνων.
4. Διατηρείτε τυχόν αγωγίμα αντικείμενα μακριά από το αισθητήριο, προκειμένου να διασφαλίζεται η σωστή απόδοση.

Διπλή ράβδος:

1. Η ενεργή ράβδος πρέπει να τοποθετείται σε απόσταση 25 mm τουλάχιστον από οποιοδήποτε εμπόδιο.
2. Το ελάχιστο φρεάτιο ηρεμίας ή ελάχιστη διάμετρος ακροφυσίου για το αισθητήριο είναι 76 mm.



Γενική τοποθέτηση αισθητηρίου

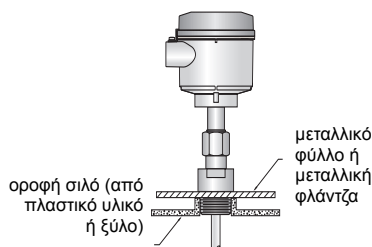
1. Βεβαιωθείτε ότι ο συνδετήρας διεργασίας είναι τουλάχιστον 3/4" NPT για ομοαξονικά αισθητήρια ή 2" NPT για άκαμπτα αισθητήρια ή ότι πρόκειται για φλαντζωτή τοποθέτηση.
2. Τοποθετήστε προσεκτικά το αισθητήριο μέσα στο δοχείο. Ευθυγραμμίστε το παρέμβυσμα σε φλαντζωτές εγκαταστάσεις.
3. Ευθυγραμμίστε το συνδετήρα διεργασίας του αισθητηρίου με τη σπειροτομημένη ή τη φλαντζωτή βάση στο δοχείο.
4. Στις σπειροτομημένες συνδέσεις, σφίξτε το εξαγωνικό παξιμάδι του συνδετήρα διεργασίας του αισθητηρίου. Στις φλαντζωτές συνδέσεις, σφίξτε τα μπουλόνια της φλάντζας.

Εγκατάσταση σε μη μεταλλικά σιλό

Για εγκατάσταση σε δοχεία μη μεταλλικής κατασκευής ή πιθανόν ανοικτά δοχεία, απαιτείται η χρήση μιας κατάλληλης πλάκας αναφοράς για τη βελτιστοποίηση της σύνθετης αντίστασης του εκπεμπόμενου σήματος, καθώς αυτό διασχίζει το αισθητήριο. Δεν είναι δυνατή η εξασφάλιση της καλύτερης δυνατής απόδοσης, αν δεν διατίθεται κατάλληλη περιοχή μετάβασης στο συνδετήρα διεργασίας.

Κατά τη χρήση εκδόσεων μονής ράβδου (εύκαμπτης ή άκαμπτης) και σπειροτομημένου συνδετήρα διεργασίας, ένα μεταλλικό φύλλο ή μεταλλική φλάντζα βελτιώνουν σημαντικά τις συνθήκες, δεδομένου ότι κάτι τέτοιο συνιστά μια κατάλληλη πλάκα αναφοράς.

Σε γενικές γραμμές, είναι αποδεκτό ότι ένας συνδετήρας διεργασίας με φλάντζα είναι ισοδύναμος με τη συγκεκριμένη πλάκα αναφοράς.



Σημείωση: Το SITRANS LG200 ανταποκρίνεται στις απαιτήσεις CE για την Ηλεκτρομαγνητική Συμβατότητα (EN 61326-1/2006). Τα αισθητήρια μονής και διπλής ράβδου πρέπει να χρησιμοποιούνται σε μεταλλικό δοχείο ή φρεάτιο ηρεμίας προκειμένου να διατηρείται η συμμόρφωση CE.

Εγκατάσταση πομπού (περιβλήματος)

1. Αφαιρέστε το προστατευτικό πλαστικό καπάκι από το πάνω μέρος του αισθητηρίου. Βάλτε το καπάκι σε ασφαλές μέρος, σε περίπτωση που χρειαστεί αργότερα η εξαγωγή του πομπού.
2. Τοποθετήστε τον πομπό πάνω στο αισθητήριο. Προσέξτε να μην λυγίσετε ή ρυπάνετε το χρυσό (αρσενικό) συνδετήρα υψηλής συχνότητας.
3. Ευθυγραμμίστε το συνδετήρα γενικής χρήσης στη βάση του περιβλήματος του πομπού με το πάνω μέρος του αισθητηρίου. Σφίξτε το συνδετήρα με το χέρι.
4. Περιστρέψτε τον πομπό έτσι ώστε να έχει την πλέον βολική θέση για την καλωδίωση, τη διαμόρφωση, αλλά και για την οπτική επαφή.
5. Όταν ο πομπός στραφεί προς την επιθυμητή κατεύθυνση, χρησιμοποιήστε ένα κλειδί 38 mm (1½") για να σφίξετε το συνδετήρα γενικής χρήσης του πομπού με ροπή 15 ft-lbs. Συνιστάται η χρήση ροπόκλειδου. Πρόκειται για μία πολύ σημαντική σύνδεση. **ΜΗΝ ΤΟΝ ΑΦΗΣΕΤΕ ΣΦΙΓΜΕΝΟ ΜΕ ΤΟ ΧΕΡΙ.**

Καλωδίωση

Τροφοδοσία

ΠΡΟΕΙΔΟΠΟΙΗΣΕΙΣ:



Όλες οι εκδόσεις HART του πομπού SITRANS LG200 λειτουργούν με τάση 11 έως 36 V DC. Υψηλότερη τάση θα καταστρέψει τον πομπό.

Σύνδεση του SITRANS LG200

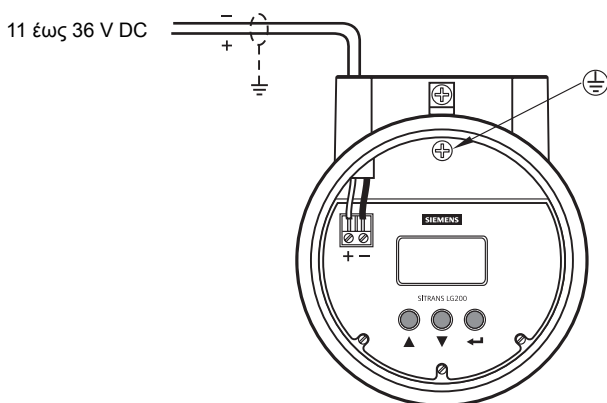
! ΠΡΟΕΙΔΟΠΟΙΗΣΕΙΣ:

- Ελέγξτε την πινακίδα ονόματος του οργάνου για να ελέγξετε το είδος της έγκρισης.
- Εγκεκριμένα υδατοστεγή στεγανοποιητικά αγωγών και στεγανοποιητικά αγωγών για προστασία από τη σκόνη απαιτούνται για εξωτερικούς χώρους τύπου 4/ NEMA 4, IP65.

Σημειώσεις:

- Για λεπτομερείς οδηγίες καλωδίωσης, ανατρέξτε στο πλήρες Εγχειρίδιο Οδηγιών.
- Χρησιμοποιήστε θωρακισμένο, συνεστραμμένο ζεύγος καλωδίων: 0,5 έως 1 mm² (AWG 22 έως 18).
- Μπορεί να χρειαστούν ξεχωριστά καλώδια και αγωγοί¹ για συμμόρφωση με τις πρότυπες πρακτικές καλωδίωσης οργάνων ή τους ηλεκτρικούς κώδικες.

Καλωδίωση



Λειτουργίες RUN και PROGRAM

Το SITRANS LG200 έχει 2 τρόπους λειτουργίας: RUN και PROGRAM.

Μετά την παροχή ρεύματος, η οθόνη του LG200 αλλάζει κάθε 2 δευτερόλεπτα εμφανίζοντας μία από τις παρακάτω τέσσερις τιμές: **Κατάσταση**, **Στάθμη**, **Έξοδος %** και **Ρεύμα βρόχου**. Στη λειτουργία RUN, χρησιμοποιήστε τα πλήκτρα βέλους ▲ ▼ για μετάβαση από τη μία στην άλλη ένδειξη. Η οθόνη μπορεί, επίσης, να ρυθμιστεί να απεικονίζει κάθε ένδειξη ξεχωριστά.

Στη λειτουργία RUN, πατήστε τα πλήκτρα βέλους ▲ ▼ για να μεταβείτε στην παράμετρο που θέλετε να επεξεργαστείτε. Πατήστε Enter ◀ για να μεταβείτε στη λειτουργία PROGRAM (εμφανίζεται ένα θαυμαστικό ! ως ο τελευταίος χαρακτήρας στην επάνω γραμμή της οθόνης.)

Στη λειτουργία PROGRAM, πατήστε τα πλήκτρα βέλους ▲ ▼ για να αυξήσετε ή να μειώσετε την ένδειξη και για να μετακινηθείτε στην επόμενη επιλογή. Κρατήστε πατημένα τα πλήκτρα βέλους για γρήγορη αλλαγή της ένδειξης.

1. Αν κάποιο καλώδιο περνά μέσα από αγωγό, να χρησιμοποιείτε μόνο κατάλληλου μεγέθους υδατοστεγείς διανομείς.

Προγραμματισμός για γρήγορη έναρξη

1. Αφαιρέστε το κάλυμμα των ηλεκτρονικών.
2. Χρησιμοποιήστε το Κάτω πλήκτρο βέλους (▼) για να μεταβείτε από το ένα βήμα του προγράμματος ρύθμισης παραμέτρων στο άλλο.
3. Πατήστε το πλήκτρο Enter (↵). Ο τελευταίος χαρακτήρας στην επάνω γραμμή της οθόνης αλλάζει σε θαυμαστικό (!).
4. Χρησιμοποιήστε το Πάνω ή το Κάτω πλήκτρο βέλους ▲▼ για να αυξήσετε ή να μειώσετε την τιμή που εμφανίζεται στην οθόνη ή για να μεταβαίνετε από μία σε άλλη επιλογή.
5. Πατήστε το Enter ↵ για να αποδεχθείτε μια τιμή και για να μεταβείτε στο επόμενο βήμα της διαδικασίας ρύθμισης παραμέτρων (ο προεπιλεγμένος κωδικός πρόσβασης είναι το 0).
6. Για να επιστρέψετε στη λειτουργία RUN, μεταβείτε στις παραμέτρους της οθόνης (*Status*)
7. Όταν καταχωρίσετε την τελευταία τιμή, αφήστε να περάσουν 10 δευτερόλεπτα μέχρι να διακόψετε την παροχή ρεύματος στον πομπό (λειτουργία αποθήκευσης).

Προστασία με κωδικό πρόσβασης (προεπιλεγμένος = 0)

Ο πομπός SITRANS LG200 προστατεύεται με κωδικό πρόσβασης, ώστε να περιορίζεται η πρόσβαση σε στοιχεία του μενού που επηρεάζουν τη λειτουργία του συστήματος. Στη λειτουργία **Program**, και αφότου καταχωρηθεί ο σωστός κωδικός πρόσβασης, ένα θαυμαστικό (!) είναι ο τελευταίος χαρακτήρας στην επάνω γραμμή της οθόνης. Ο κωδικός πρόσβασης μπορεί να λάβει οποιαδήποτε αριθμητική τιμή μέχρι το 255. Κάθε φορά που θέλετε να αλλάξετε τις παραμέτρους, θα χρειαστεί να καταχωρίσετε τον κωδικό πρόσβασης.

Ο προεπιλεγμένος κωδικός πρόσβασης χρήστη είναι το 0. Καταχωρίστε νέο κωδικό πρόσβασης στο τελευταίο βήμα του μενού ρύθμισης παραμέτρων. Όταν ο κωδικός πρόσβασης είναι το 0, ο πομπός δεν είναι πλέον προστατευμένος με κωδικό πρόσβασης, και οποιαδήποτε τιμή του μενού μπορεί να αλλοιωθεί χωρίς να χρειάζεται η εισαγωγή κωδικού επιβεβαίωσης, με εξαίρεση τις τιμές διαγνωστικού ελέγχου.

Η συσκευή παραμένει χωρίς προστασία για πέντε λεπτά χωρίς να πατηθεί κάποιο κουμπί και, στη συνέχεια, εφαρμόζεται το σετ προστασίας με κωδικό πρόσβασης.

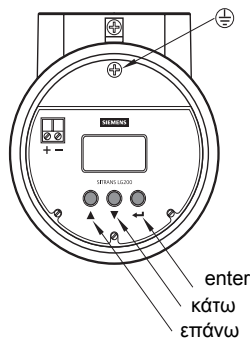
ΣΗΜΕΙΩΣΗ: Αν δεν γνωρίζετε τον κωδικό πρόσβασης χρήστη, στο στοιχείο μενού New Password (Νέος κωδικός πρόσβασης) εμφανίζεται μια κρυπτογραφημένη τιμή που αντιπροσωπεύει τον τρέχοντα κωδικό πρόσβασης. Καλέστε το εργοστάσιο με την κρυπτογραφημένη τιμή για να προσδιοριστεί ο τρέχων κωδικός πρόσβασης.

Ενεργοποίηση του SITRANS LG200

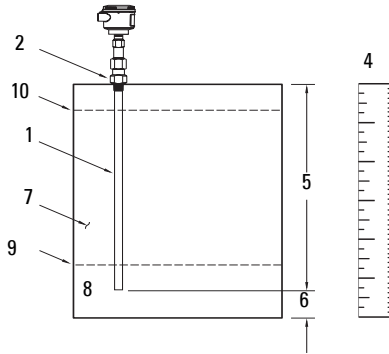
Τροφοδοτήστε το LG200 με ρεύμα. Ξεκινά στη λειτουργία **RUN** και η οθόνη εμφανίζει μία από τις τέσσερις τιμές μόνο για ανάγνωση (read-only) κάθε 2 δευτερόλεπτα: Κατάσταση, Στάθμη, Έξοδος % και Ρεύμα βρόχου.

Προσπέλαση παραμέτρου

1. Χρησιμοποιήστε τα πλήκτρα **ΒΕΛΟΥΣ** ▲▼ για μετάβαση σε μία παράμετρο που επιδέχεται επεξεργασία. Κρατήστε πατημένα τα πλήκτρα βέλους για γρήγορη αλλαγή της ένδειξης.
2. Πατήστε το Enter ↵ για να επιλέξετε μία παράμετρο.
3. Χρησιμοποιήστε τα πλήκτρα **ΒΕΛΟΥΣ** ▲▼ για να επιλέξετε την τιμή της παραμέτρου.
4. Πατήστε το Enter ↵ για να αποδεχθείτε μια τιμή και για να μεταβείτε στο επόμενο βήμα προγραμματισμού
5. Η οθόνη LCD εμφανίζει τη νέα παράμετρος και την τιμή της.



Προγραμματισμός για γρήγορη έναρξη



1. Μοντέλο αισθητηρίου [Για λεπτομέρειες ανατρέξτε στην πινακίδα ονόματος του αισθητηρίου (7MLxxx-x) (7xX)]: _____
2. Τύπος τοποθέτησης αισθητηρίου NPT, BSP ή με φλάντζα [χρησιμοποιήστε τον κωδικό είδους για να εξακριβώσετε τον τύπο τοποθέτησης αισθητηρίου (οι τύποι NPT και BSP διαφέρουν ως προς το μήκος εισαγωγής)]: _____
3. Είδος μέτρησης (στάθμη μόνο, όγκος, στάθμη διαχωριστικής επιφάνειας ή στάθμη και όγκος διαχωριστικής επιφάνειας): _____
4. Μονάδες στάθμης (ίντσες, εκατοστά, πόδια, μέτρα): _____
5. Μήκος αισθητηρίου [αναφέρεται στις πληροφορίες μοντέλου, στο επάνω μέρος του αισθητηρίου (Σημείωση Y01 = xxx cm)]: _____
6. Offset στάθμης (Ένδειξη επιθυμητής στάθμης, όταν το υγρό βρίσκεται στο άκρο του αισθητηρίου): _____
7. Διηλεκτρική σταθερά (Περιοχή τιμών διηλεκτρικής σταθεράς του μέσου διεργασίας, διηλεκτρική σταθερά επάνω στρώματος για εφαρμογές διαχωριστικής επιφάνειας): _____
8. Έλεγχος βρόχου (Είναι το προς έλεγχο ρεύμα εξόδου με βάση τη στάθμη ή τον όγκο;): _____
9. Ορίστε 4,0 mA (Ποιο είναι το σημείο αναφοράς για την τιμή 4,0 mA;): _____
10. Ορίστε 20 mA (Ποιο είναι το σημείο αναφοράς για την τιμή 20.0 mA;): _____

Γρήγορη ρύθμιση: βήματα 1 έως 10

1. Επιλέξτε Μοντέλο αισθητηρίου (προεπιλογή: 7xA-x)

Τιμές	Επιλέξτε μεταξύ: 7xA-x (7ML1301-1), 7xB-x (7ML1302-1), 7xD-x (7ML1301-2), 7xF-x (7ML1303-1), 7xF-E (7ML1303-1D), 7xF-F (7ML1303-1E), 7xF-4 (7ML1303-1J), 7xF-P (7ML1303-1H), 7xJ-x (7ML1303-2), 7xK-x (7ML1305-1), 7xP-x (7ML1301-3), 7xR-x (7ML1301-4), 7xS-x (7ML1301-5), 7xT-x (7ML1301-6), 7x1-x (7ML1304-1), 7x2-x (7ML1304-2), 7x5-x (7ML1302-2), 7x7-x (7ML1302-3)
--------------	--

2. Επιλέξτε τύπο τοποθέτησης αισθητηρίου (προεπιλογή: NPT)

Τιμές	NPT
	BSP
	Φλάντζα

3. Επιλέξτε είδος μέτρησης (προεπιλογή: Lvl Only)

Τιμές	Lvl	Επιλέξτε είδος μέτρησης.
	Lvl&Vol	
	Ifc	
	Ifc&Vol	

4. Επιλέξτε Μονάδες στάθμης (προεπιλογή: Inches)

Τιμές	cm
	ίντσες
	πόδια
	μέτρα

5. Επιλέξτε Μήκος αισθητηρίου (προεπιλογή: 120,0 in)

Τιμές	Αισθητήριο Ln xxx.x. Το μήκος του αισθητηρίου είναι τυπωμένο στην πινακίδα ονόματος και στην παραγγελία (σε cm).
-------	--

6. Επιλέξτε Offset στάθμης (προεπιλογή: 0 in)

Τιμές	Εμβέλεια: -61 έως 762 cm (-24 έως 300"). Το Offset στάθμης είναι η απόσταση από την άκρη του αισθητηρίου μέχρι το επιθυμητό σημείο μηδενικής στάθμης. Καταχωρίστε την επιθυμητή ένδειξη, όταν το αισθητήριο είναι στεγνό.
-------	---

7. Επιλέξτε Διηλεκτρική σταθερά (προεπιλογή: 10 – 100)

Τιμές	1.4 – 1.7	Επιλέξτε την περιοχή τιμών για τη διηλεκτρική σταθερά των μέσων. Το LG200 χρησιμοποιεί αυτή τη ρύθμιση διηλεκτρικής σταθεράς για προσαρμογή της ρύθμισης ευαισθησίας (Sensitivity). Η προεπιλεγμένη ρύθμιση εξαρτάται από το αισθητήριο (για το 7ML1301-5 η ρύθμιση ορίζεται στα 10–100, για τη μονάδα διεπαφής, το 7ML1301-6 μόνο επιλέξτε μεταξύ 3–10 και 10–100).
	1.7 – 3	
	3 – 10	
	10 – 100	

8. Επιλέξτε Έλεγχος βρόχου (προεπιλογή: Lvl)

Τιμές	Lvl	Στάθμη	Επιλέξτε μια μεταβλητή ελέγχου του ρεύματος βρόχου.
	Lvl&Vol	Στάθμη και Όγκος	
	Ifc	Στάθμη ή Στάθμη διαχωριστικής επιφάνειας	
	Ifc&Vol	Στάθμη, Στάθμη διαχωριστικής επιφάνειας, Όγκος, Όγκος διαχωριστικής επιφάνειας	

9. Όριο συναγεμού 4 mA (Προεπιλογή: 0,0 in ή 0,0 gal)

Τιμές	Ορίστε 4 mA xxx.x (Καταχωρίστε την τιμή PV για το σημείο 4 mA).	Καταχωρίστε τη στάθμη για έξοδο 0 % ή 4 mA. Μπορεί να είναι μικρότερη ή μεγαλύτερη από το σημείο 20 mA. Αν τα σημεία 4 mA και 20 mA καταχωρηθούν με την ίδια τιμή, η μονάδα θα εμφανίσει ένδειξη 3,8 mA όταν η στάθμη βρίσκεται κάτω από τα όρια συναγεμού και 20,5 mA όταν η στάθμη βρίσκεται πάνω από τα όρια συναγεμού. Ενδέχεται να υπάρχει μια μικρή περιοχή μετάβασης [0 έως 15 cm (6")] στο επάνω ή στο κάτω μέρος του αισθητηρίου.
-------	---	--

10. Όριο συναγερμού 20 mA (Προεπιλογή: 120,0 in ή 396,3 gal)

Τιμές	Ορίστε 20 mA xxx.x (Καταχωρίστε την τιμή PV για το σημείο 20 mA).	Καταχωρίστε τη στάθμη για έξοδο 100% ή 20 mA. Μπορεί να είναι μικρότερη ή μεγαλύτερη από το σημείο 4 mA. Αν τα σημεία 4 mA και 20 mA καταχωρηθούν με την ίδια τιμή, η μονάδα θα εμφανίσει ένδειξη 3,8 mA όταν η στάθμη βρίσκεται κάτω από τα όρια συναγερμού και 20,5 mA όταν η στάθμη βρίσκεται πάνω από τα όρια συναγερμού. Ενδέχεται να υπάρχει μια μικρή περιοχή μετάβασης [0 έως 15 cm (6")] στο επάνω ή στο κάτω μέρος του αισθητήριου.
-------	---	---

Χρησιμοποιήστε τα πλήκτρα **ΒΕΛΟΥΣ** ▲ ▼ για να επιστρέψετε στη λειτουργία RUN: η βασική ρύθμιση ολοκληρώθηκε. Μετακινηθείτε για απεικόνιση του βρόχου.

Επικοινωνία SITRANS LG200: HART

- Θα χρειαστείτε το πλήρες εγχειρίδιο για να δείτε τον κατάλογο όλων των παραμέτρων.
- Μπορείτε να προμηθευτείτε την Περιγραφή Συσκευής (DD) HART από το HART Communications Foundation, στη διεύθυνση www.hartcomm.org
- Σας συνιστούμε να χρησιμοποιήσετε το SIMATIC Process Device Manager (PDM) για να προγραμματίσετε τη συσκευή σας.

Συντήρηση

Το SITRANS LG200 δεν χρειάζεται συντήρηση ή καθαρισμό υπό κανονικές συνθήκες λειτουργίας. Αν ο καθαρισμός θεωρηθεί απαραίτητος υπό αντίξοες συνθήκες λειτουργίας:

1. Σημειώστε το υλικό κατασκευής του αισθητήριου και το μέσο της διεργασίας, και επιλέξτε ένα διάλυμα καθαρισμού που δεν θα έχει αρνητική επίδραση σε κάποιο από αυτά.
2. Θέστε τη συσκευή εκτός λειτουργίας και σκουπίστε το αισθητήριο με πανί και κατάλληλο διάλυμα καθαρισμού.

Επισκευή μονάδας και αποκλειόμενη ευθύνη

Για περισσότερες πληροφορίες ανατρέξτε στην εσωτερική σελίδα του οπισθόφυλλου.

SITRANS LG200 - Puesta en marcha rápida

Este manual contiene indicaciones importantes y condiciones para la utilización del SITRANS LG200. Le recomendamos encarecidamente que obtenga la versión completa del manual de instrucciones para beneficiarse de todas las funciones del instrumento. Para obtener la versión completa del manual SITRANS LG200 consulte nuestro sitio: <https://pia.khe.siemens.com/index.asp?Nr=15361>. Para más informaciones acerca de este manual contacte:

Siemens Milltronics Process Instruments Inc.
1954 Technology Drive, P.O. Box 4225
Peterborough, Ontario, Canadá, K9J 7B1
E-mail: techpubs.smpi@siemens.com

**Copyright Siemens Milltronics
Process Instruments Inc. 2008.
Todos los derechos reservados**

Exención de responsabilidad

Recomendamos a nuestros usuarios obtengan copias impresas de la documentación o consulten las versiones digitales diseñadas y comprobadas por Siemens Milltronics Process Instruments Inc. En ningún caso será Siemens Milltronics Process Instruments Inc. responsable de reproducciones totales o parciales de la documentación, ya sea de versiones impresas o electrónicas.

Nosotros hacemos todo lo necesario para garantizar la conformidad del contenido de este manual con el aparato proporcionado. Sin embargo, estas informaciones quedan sujetas a cambios. SMPI no asume responsabilidad alguna por omisiones o diferencias. Examinamos y corregimos el contenido de este manual regularmente y nos esforzamos en proporcionar publicaciones cada vez más completas. No dude en contactarnos si tiene preguntas o comentarios.

Las especificaciones están sujetas a cambios.

MILLTRONICS es una marca registrada de Siemens Milltronics Process Instruments Inc.

Indicaciones de seguridad

Es imprescindible respetar las indicaciones de seguridad para una utilización sin peligro alguno para el usuario, el personal, el producto y los aparatos conectados a éste. Por motivos de claridad expositiva en los textos de indicación y de precaución se destaca el nivel de precaución necesario para cada intervención.



ADVERTENCIA: información que se refiere a un marcado colocado en el producto. Significa que al no observar las precauciones de seguridad se puede producir la muerte, lesiones corporales graves o daños materiales considerables.



ADVERTENCIA¹: significa que al no observar las precauciones de seguridad se puede producir la muerte, lesiones corporales graves o daños materiales considerables.

Nota: es una información importante acerca del producto mismo o de la parte respectiva del manual, al cual se debe atender especialmente.

¹. Símbolo utilizado cuando el producto no lleva marcado de seguridad.

SITRANS LG200

- ! **ADVERTENCIA: Al efectuar cambios o modificaciones sin autorización previa de Siemens se puede anular la autorización del usuario a utilizar este producto.**

Notas:

- El instrumento se ha comprobado para garantizar su conformidad con los límites aplicables a los aparatos digitales Clase A, de acuerdo con la Sección 15 de la reglamentación FCC. Estos límites están diseñados para proporcionar una protección razonable contra interferencias perjudiciales cuando el aparato se usa en zonas residenciales.
- Este aparato genera, utiliza y puede radiar energía de frecuencia de radio. Al no observar las indicaciones para la instalación proporcionadas en este manual el aparato puede provocar interferencias dañosas en la comunicación radio. El funcionamiento de este aparato en entornos residenciales puede provocar interferencias perjudiciales. El usuario es el único responsable de corregir las interferencias.
- El SITRANS LG200 debe funcionar únicamente de la manera como se especifica en éste manual. La realización técnica de estas condiciones es la condición para una utilización sin peligro alguno.
- Este aparato se ha diseñado para el uso en ámbito industrial. El uso de este aparato en instalaciones residenciales puede causar interferencias a varias comunicaciones por radio.

El transmisor de nivel por microondas guiadas SITRANS LG200 mide el nivel, el nivel/interfase y el volumen de líquidos y sólidos en rangos de medición cortos o medios. El aparato es insensible a variaciones en el proceso: condiciones extremas de temperatura/presión, y vapor.

El SITRANS LG200 soporta el protocolo de comunicación HART¹, y el software SIMATIC PDM.

Datos técnicos

Para un listado completo, véase por favor la versión completa del manual de instrucciones del SITRANS LG200.

Temperatura ambiente y de operación

- Temperatura ambiente: -40 ... +80 °C (-40 ... +175 °F)
- Máxima temperatura y presión del proceso: en función del tipo del sonda y de la presión. Ver la placa de características del aparato.

Alimentación



Aplicación general:
Seguridad intrínseca: 11 ... 36 VDC
A prueba de explosiones:

¹. HART® es una marca registrada de HART Communication Foundation.

Homologaciones

Nota: Las homologaciones están indicadas en la placa de características de cada aparato.

- Aplicación general CSA/FM, CE, C-TICK
- Intrínsecamente seguro FM Clase I, Div. 1, Grupos A, B, C, D, Clase II, Div. 1, Grupos E, F, G T4, Clase III, Tipo 4, IP65
- CSA Clase I, Div. 1, Grupos A, B, C, D, Clase II, Div. 1, Grupos E, F, G T4, Clase III, Tipo 4, IP65
- ATEX II 1G EEx ia IIC T4
- A prueba de explosiones/ FM Clase I, Div 1, Grupos B, C, D, Clase II, Div. 1, A prueba de llamas Grupos E, F, G T4, Clase III, Tipo 4, IP65
- CSA Clase I, Div. 1, Grupos B, C, D, Clase II, Div. 1, Grupos E, F, G T4, Clase III, Tipo 4, IP65
- ATEX II 1/2 G EEx d [ja] IIC T6
- ATEX II 1/2 D IP65 T85 °C
- No incendiario (NI) FM Clase I, Div. 2, Grupos A, B, C, D, Clase II, Div. 2, Grupos F, G T4, Clase III, Tipo 4, IP65
- CSA Clase I, Div. 2, Grupos A, B, C, D, Clase II, Div. 2, Grupos E, F, G T4, Clase III, Tipo 4, IP65
- A prueba de chispas ATEX II 3G EEx nA [nL] IIC T4 - T6
- ATEX II 3G EEx nA II T4 - T6
- Otros Seguridad funcional SIL 1 de acuerdo con la norma CEI 61508
Fracción de fallo seguro (SFF) 85.5% (análisis FMEDA por terceros – material únicamente)
- Seguridad funcional SIL 2 de acuerdo con la norma CEI 61508
Fracción de fallo seguro (SFF) 91% (análisis FMEDA por terceros – material únicamente)

Aplicación bajo presión

! ADVERTENCIAS:

- Es imprescindible no destornillar, retirar o desmontar la conexión al proceso o la caja de la electrónica mientras el contenido del depósito esté bajo presión.
- La instalación incorrecta puede provocar una caída de presión del proceso.

Instalación



• ADVERTENCIAS:

- El funcionamiento correcto y seguro del aparato presupone un transporte, un almacenamiento, una instalación y una programación conforme así como un manejo y un mantenimiento rigurosos.
- Los materiales de construcción son seleccionados en base a su compatibilidad química (o inertidad) para usos generales. Antes de instalar el aparato en ambientes específicos consulte las tablas de compatibilidad química.
- El usuario se compromete a utilizar tornillos y selladores conformes a los límites de la brida y a su utilización, y que se adapten a las condiciones de servicio.

Ubicación y montaje

Nota: las instrucciones completas de montaje para los diferentes tipos de sonda están disponibles en el manual de instrucciones SITRANS LG200.

Recomendaciones

- Fácil acceso para la programación con los botones pulsadores integrados.
- Ambiente adecuado para la caja (grado de protección) y los materiales de construcción.

Precauciones

- La aplicación de material aislante en los componentes del transmisor SITRANS LG200 y la brida se debe evitar, ya que puede dar lugar a acumulación de calor excesivo.
- Se recomienda montar el aparato lejos de los circuitos de alta tensión o corriente, contactores y controladores de velocidad de motor de frecuencia variable.
- Mantener el cono de emisión lejos de las obstrucciones o aberturas de llenado.

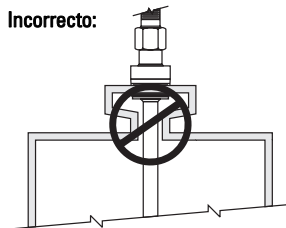
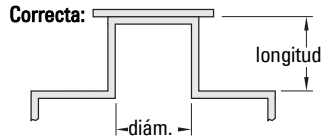
• Varilla sencilla:

1. No instalar en boquillas de <math>< 50\text{ mm}</math> (2") de diámetro.
2. Utilizar en aplicaciones que presenten una relación diámetro:longitud de 1:1 (mínimo). Cuando la relación es inferior a 1:1 (p.ej. boquillas de 2"x6" = 1:3) puede ser necesario programar una distancia de bloqueo o ajustar el dieléctrico.
3. No utilizar tubos de reducción.

4. Para obtener el máximo rendimiento mantener lejos de la sonda los objetos conductores.

• Varilla doble:

1. Espacio libre mínimo entre la varilla activa y cualquier obstrucción: 25 mm (1").
2. Diámetro mínimo del pozo estabilizador o de la boquilla necesario para la sonda: 76 mm (3").



Montaje de la sonda (ordinario)

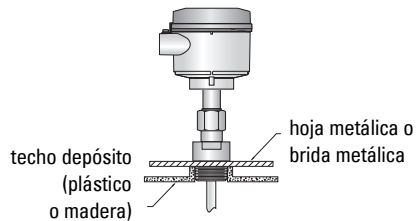
1. Conexión al proceso mínima: 3/4" NPT para sondas coaxiales ó 2" NPT para sondas rígidas o montaje en brida.
2. Colocar cuidadosamente la sonda en el depósito. Alinear la junta (aplicaciones con brida).
3. Alinear la conexión al proceso de la sonda con la conexión roscada o bridada en el depósito.
4. Para conexiones roscadas, apretar la tuerca hexagonal de la conexión al proceso (sonda). Para conexiones bridadas, apretar los tornillos de la brida.

Instalación en depósitos no metálicos

La utilización del aparato en tanques no metálicos o abiertos requiere la instalación de una placa de referencia para optimizar la calidad de la señal transmitida por la sonda. Para obtener un rendimiento óptimo, debe garantizarse una transición adecuada de la señal en la conexión al proceso.

La utilización de sondas monocables o de varilla única con conexión roscada, una hoja metálica o brida permite mejorar considerablemente la medida proporcionando una placa de referencia.

Las conexiones de proceso con brida suelen ser placas de referencia idóneas.



Nota: El aparato SITRANS LG200 cumple con los requisitos CE de compatibilidad electromagnética (EN 61326-1/2006). Para garantizar la conformidad CE las sondas de varilla única o doble sólo deben utilizarse en tanques metálicos o tubos de by-pass.

Instalación del transmisor (caja)

1. Retirar la tapa de protección de plástico de la parte superior de la sonda. Guardar la tapa de protección para su uso ulterior.
2. Colocar el transmisor en la sonda. Prestar atención a que el conector macho alta frecuencia chapado en oro no se ensucie o esté sometido a fuerzas laterales.
3. Alinear la conexión universal en la base de la caja del transmisor con la parte superior de la sonda. Apretar la conexión manualmente.
4. Girar el transmisor y seleccionar la posición de montaje de forma tal que exista un acceso fácil al aparato durante el cableado, la configuración y la visualización.
5. Una vez alcanzada la posición deseada, apretar la conexión universal del transmisor con una llave de ajuste de 38 mm (1½") (apriete 15 ft-lbs). Se recomienda encarecidamente utilizar una llave de ajuste dinamométrica. Es fundamental realizar la fijación adecuada. **NO ES SUFICIENTE APRETAR MANUALMENTE.**

Cableado Alimentación

ADVERTENCIAS:



El voltaje de entrada necesario para todos los modelos de transmisores SITRANS LG200 con HART es 11 - 36 V DC. El voltaje excesivo puede dañar el transmisor.

Conexión del SITRANS LG200

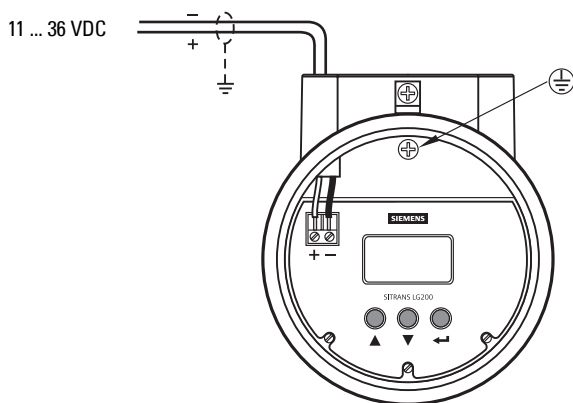
! ADVERTENCIAS:

- Verificar la certificación del aparato en su placa indicadora.
- Las aplicaciones en exterior Tipo 4/NEMA 4, IP65 requieren el uso de conductos estancos al polvo y a la humedad.

Notas:

- Para más detalles acerca del cableado, consulte la versión completa del manual de instrucciones.
- Utilizar un cable de par trenzado apantallado. 0,5 - 1 mm² (AWG 22 - 18).
- Para la instalación eléctrica deben observarse las normas y disposiciones pertinentes;¹ pueden ser necesarios cables y conductos separados.

Cableado



Modo RUN y Modo PROGRAM

El SITRANS LG200 tiene dos modos básicos de funcionamiento: RUN y PROGRAM.

Después de la puesta en marcha el LG200 indica uno de los siguientes valores cada 2 segundos: **Estado**, **Nivel**, **%Salida**, y **Corriente de bucle**. En modo RUN se utilizan las flechas ▲ ▼ para alternar la visualización entre varias pantallas. El usuario también puede ajustar individualmente cada pantalla.

En modo RUN, pulsar las flechas ▲ ▼ para aumentar o disminuir el valor que se quiere editar. Pulsar Enter ◀ para acceder al modo PROGRAM (indicación de un punto de exclamación ! en la primera línea del display.)

En modo PROGRAM, se pulsan las flechas ▲ ▼ para aumentar o disminuir el valor indicado y acceder al siguiente valor. La visualización secuencial acelerada se selecciona manteniendo pulsadas las flechas.

¹ Si se emplean conductos para tender los cables se recomienda utilizar prensaestopas certificados adecuados para garantizar la estanqueidad.

Puesta en marcha rápida

1. Retirar la tapa de la electrónica.
2. La visualización de las diferentes etapas de la configuración se obtiene con la flecha descendente (▼).
3. Pulsar la tecla Enter (↵). El punto de exclamación (!) sustituye al último carácter de la primera línea del indicador.
4. Pulsar la flecha ascendente/descendente ▲▼ para aumentar o disminuir el valor indicado u obtener la visualización secuencial de los diferentes valores.
5. Pulsar la tecla Enter ↵ para confirmar un valor y visualizar la etapa siguiente de la configuración (contraseña predefinida = 0).
6. Acceder a los parámetros de visualización (*Estado*) para volver al modo RUN.
7. Para permitir el almacenamiento del último valor introducido, esperar 10 segundos antes de desconectar la alimentación del transmisor.

Contraseña de protección (valor predefinido = 0)

La seguridad de los menús relacionados con el funcionamiento del aparato SITRANS LG200 está garantizada con una contraseña de acceso. Introduciendo la contraseña correcta en el modo **Program**, se obtiene la indicación del punto de exclamación (!) en la primera línea del indicador. El usuario puede sustituir la contraseña predefinida por cualquier valor (hasta 255). Dicha contraseña será necesaria para modificar valores de configuración.

El valor predefinido de la contraseña es 0. Introducir la nueva contraseña en la última etapa del menú de configuración. La contraseña 0 no garantiza la protección de acceso al transmisor. De esta forma pueden realizarse ajustes sin introducir una contraseña (excepto para valores de diagnóstico).

En caso de no utilizar las teclas del aparato durante cinco minutos se activará la protección con contraseña.

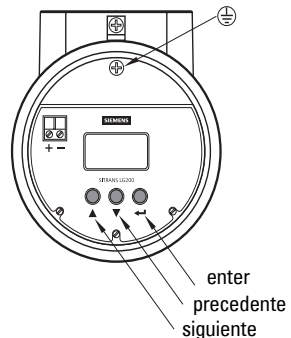
NOTE: Si se desconoce el valor de contraseña, el ítem menú New Password/Nueva contraseña indica un valor cifrado equivalente a la contraseña actual. Para determinar la contraseña actual tiene la posibilidad de comunicar con el fabricante, indicando el valor cifrado.

Activación del SITRANS LG200

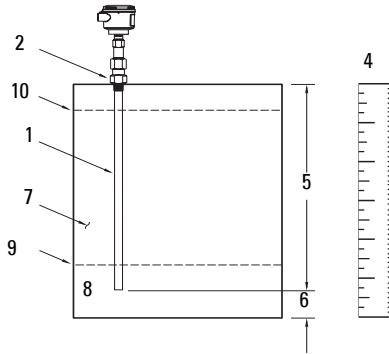
Conectar la alimentación eléctrica del LG200. El aparato arranca en modo **RUN** indicando uno de los siguientes valores (lectura únic.) cada 2 segundos: Estado, Nivel, %Salida y Corriente de bucle.

Ajuste de parámetros

1. Con las **FLECHAS** ▲▼ se accede a un parámetro modificable. La visualización secuencial acelerada se obtiene manteniendo pulsadas las flechas.
2. Pulsando la tecla **Enter** ↵ se selecciona un parámetro.
3. Con las **FLECHAS** ▲▼ se selecciona el valor del parámetro.
4. Pulsando **Enter** ↵ se acepta un valor y se accede a la etapa siguiente
5. El número y el valor del parámetro aparecen en el indicador.



Programación rápida



1. Modelo de sonda [para más detalles ver la placa indicadora en la sonda (7MLxxx-x) (7xX)]: _____
2. Tipo de montaje sonda NPT, BSP, o brida [se define con la referencia del producto (longitud de inserción diferente para NPT y BSP)]: _____
3. Tipo de medición (nivel únic., volumen, nivel de interfase o nivel de interfase y volumen): _____
4. Unidades de nivel (pulgadas, centímetros, pies, metros): _____
5. Longitud de la sonda [indicada en la parte superior de la sonda (Nota Y01 = xxx cm)]: _____
6. Desfase de nivel (indicación de nivel deseada cuando el líquido alcanza la punta de la sonda): _____
7. Dieléctrico (constante dieléctrica del medio, dieléctrico de la capa superior en aplicaciones de medida de interfase): _____
8. Control de bucle (Corriente de salida controlada por nivel o volumen): _____
9. Ajuste de 4,0 mA (Punto de referencia para el valor 4,0 mA): _____
10. Ajuste de 20 mA (Punto de referencia para el valor 20,0 mA): _____

Puesta en marcha rápida: etapas 1 - 10

1. Seleccionar el tipo de sonda (predefinido: 7xA-x)

Valores	Selección: 7xA-x (7ML1301-1), 7xB-x (7ML1302-1), 7xD-x (7ML1301-2), 7xF-x (7ML1303-1), 7xF-E (7ML1303-1D), 7xF-F (7ML1303-1E), 7xF-4 (7ML1303-1J), 7xF-P (7ML1303-1H), 7xJ-x (7ML1303-2), 7xK-x (7ML1305-1), 7xP-x (7ML1301-3), 7xR-x (7ML1301-4), 7xS-x (7ML1301-5), 7xT-x (7ML1301-6), 7x1-x (7ML1304-1), 7x2-x (7ML1304-2), 7x5-x (7ML1302-2), 7x7-x (7ML1302-3)
---------	--

2. Seleccionar el tipo de montaje de la sonda (predefinido: NPT)

Valores	NPT
	BSP
	Brida

3. Seleccionar el tipo de medida (predefinido: sólo Lvl/Nivel)

Valores	Lvl	Seleccionar el tipo de medida.
	Lvl&Vol	
	Ifc	
	Ifc&Vol	

4. Seleccionar las unidades de nivel (predefinido: pulgadas)

Valores	cm
	pulgadas
	pies
	metros

5. Seleccionar la longitud de la sonda (predefinida: 120.0 pulg.)

Valores	Ln xxx.x sonda. La longitud de la sonda viene especificada en la placa indicadora del aparato y en los datos de pedido (en cm).
---------	---

6. Seleccionar el desfase del nivel (predefinido: 0 pulg.)

Valores	Rango: -61 ... 762 cm (-24 ... 300"). El desfase del nivel corresponde a la distancia entre el extremo de la sonda y el nivel cero deseado (punto inferior). Introducir el valor de medida deseado mientras la sonda no toque el producto.
---------	--

7. Seleccionar el dieléctrico (predeterminado: 10 – 100)

Valores	1.4 – 1.7	Seleccionar el rango aplicable al valor de constante dieléctrica del medio. El LG200 ajusta la sensibilidad de detección en base a este dieléctrico. El valor predefinido está relacionado directamente con el tipo de sonda (para 7ML1301-05 = 10–100. Para interfase, 7ML1301-6 únicamente, selección posible entre 3–10 y 10–100).
	1.7 – 3	
	3 – 10	
	10 – 100	

8. Seleccionar el control en bucle (predefinido: Lvl/Nivel)

Valores	Lvl	Nivel	Seleccionar variable para controlar la corriente de bucle.
	Lvl&Vol	Nivel y volumen	
	Ifc	Nivel o nivel de interfase	
	Ifc&Vol	Nivel, nivel de interfase, volumen, volumen de interfase	

9. Punto de consigna 4 mA (valor predeterminado: 0.0 pulg. ó 0.0 gal.)

Valores	Definir 4 mA xxx.x (Introducir valor PV para el punto 4 mA).	Introducir el nivel correspondiente al 0% o a la salida 4 mA. El valor puede ser inferior o superior al punto 20 mA. Programando valores idénticos para los puntos 4 mA y 20 mA se obtiene la indicación 3,8 mA con un nivel inferior a los puntos de consigna y 20,5 mA con un nivel superior. El extremo superior/inferior de la sonda puede presentar una zona de transición reducida [de 0 a 15 cm (6")]
---------	--	--

10. Punto de consigna 20 mA (valor predeterminado: 120.0 pulg. ó 396.3 gal)

Valores	Definir 20 mA xxx.x (Introducir valor PV para el punto 20 mA).	Introducir el nivel correspondiente al 100% o a la salida 20 mA. El valor puede ser inferior o superior al punto 4 mA. Programando valores idénticos para los puntos 4 mA y 20 mA se obtiene la indicación 3,8 mA con un nivel inferior a los puntos de consigna y 20,5 mA con un nivel superior. El extremo superior/inferior de la sonda puede presentar una zona de transición reducida [de 0 a 15 cm (6")]
----------------	---	---

Con las **FLECHAS** ▲ ▼ se accede nuevamente al modo **RUN**: puesta en marcha efectuada. Visualizar la secuencia completa.

Comunicación SITRANS LG200: HART

- Para más detalles acerca de todos los parámetros ver la versión completa del manual de instrucciones.
- El usuario dispone del HART Device Description (DD) para parametrizar el aparato. Para más detalles consulte el sitio web HART Communication Foundation, www.hartcomm.org.
- Recomendamos parametrizar el aparato utilizando el software SIMATIC Process Device Manager (PDM).

Mantenimiento

Al funcionar en condiciones normales el SITRANS LG200 no necesita mantenimiento o limpieza. Sin embargo, en condiciones de operación difíciles se recomienda:

1. Seleccionar un producto de limpieza apto para el material de la sonda y el medio.
2. Retirar el aparato del depósito y limpiar la sonda con un paño y un producto adecuado.

Reparaciones y límite de responsabilidad

Para más detalles ver la última página de este documento.

SITRANS LG200 - Mise en service rapide

Ce manuel décrit les caractéristiques et les fonctions essentielles du SITRANS LG200. Il est fortement recommandé de se reporter à la version complète du manuel d'utilisation pour accéder à l'ensemble des fonctions. Le manuel complet est disponible sur la page produit SITRANS LG200 de notre site : <https://pia.khe.siemens.com/index.asp?Nr=15361>. Toute question concernant ce document peut être adressée à :

Siemens Milltronics Process Instruments Inc.
1954 Technology Drive, P.O. Box 4225
Peterborough, Ontario, Canada, K9J 7B1
e-mail : techpubs.smpi@siemens.com

**Copyright Siemens Milltronics
Process Instruments Inc. 2008.
Tous droits réservés**

Clause de non-responsabilité

Nous encourageons les utilisateurs à se procurer les exemplaires imprimés de ces manuels ou les versions électroniques préparées et validées par Siemens Milltronics Process Instruments Inc. Siemens Milltronics Process Instruments Inc. ne pourra être tenu responsable du contenu de toute reproduction totale ou partielle des versions imprimées ou électroniques.

Les informations fournies dans ce manuel ont été vérifiées pour garantir la conformité avec les caractéristiques du système. Des divergences étant possibles, nous ne pouvons en aucun cas garantir la conformité totale. Ce document est révisé et actualisé régulièrement pour inclure les nouvelles caractéristiques. N'hésitez pas à nous faire part de vos commentaires.

Sous réserve de modifications techniques.

MILLTRONICS est une marque déposée de Siemens Milltronics Process Instruments Inc.

Consignes de sécurité

Il est important de respecter les consignes fournies dans ce manuel d'utilisation afin de garantir la sécurité de l'utilisateur ou de tiers et la protection de l'appareil ou de tout équipement connecté à ce dernier. Chaque avertissement s'associe à une explication détaillée du niveau de précaution recommandé pour chaque opération.



AVERTISSEMENT : fait référence à une mention sur le produit. Signifie que la mort, des blessures corporelles graves et/ou des dommages matériels conséquents peuvent se produire si les dispositions de sécurité correspondantes ne sont pas respectées.



AVERTISSEMENT ¹ : signifie que la mort, des blessures corporelles graves et/ou des dommages matériels conséquents peuvent se produire si les dispositions de sécurité correspondantes ne sont pas respectées.

N.B. : information importante concernant le produit ou une section particulière de la notice d'utilisation.

¹. Ce symbole est utilisé lorsque le produit ne comporte pas de marquage de sécurité.

SITRANS LG200

- ! AVERTISSEMENT : Toute intervention ou modification effectuée sans l'accord préalable de Siemens peut remettre en cause les droits d'utilisation du dispositif.**

N.B. :

- Cet équipement est conforme aux limites imposées (alinéa 15 de la réglementation FCC, Class A). Cette réglementation vise à assurer une protection suffisante contre les interférences sur les installations en environnement commercial.
- Cet équipement génère, utilise et peut émettre de l'énergie fréquence radio. Pour cette raison, il doit être installé et utilisé suivant les instructions fournies, pour éviter toute interférence nocive aux communications radio. En cas d'utilisation en zone résidentielle cet appareil peut provoquer des interférences radio nocives. Il appartiendra à l'utilisateur de prendre les mesures nécessaires pour corriger ces interférences.
- Pour garantir la sécurité, le système SITRANS LG200 doit être utilisé suivant les consignes fournies dans ce manuel d'utilisation.
- Cet appareil est conçu pour une utilisation en milieu industriel. En cas d'utilisation en zone résidentielle, cet appareil peut provoquer différentes interférences radio.

Le radar filoguidé SITRANS LG200 est destiné à la mesure de niveau, d'interface et de volume dans les liquides et les solides, en plage courte et moyenne. Il fonctionne indépendamment des variations des conditions opératoires, températures et pression extrêmes, vapeur.

Le SITRANS LG200 est compatible avec le protocole de communication HART¹ et le logiciel SIMATIC PDM.

Caractéristiques Techniques

Pour une liste exhaustive se reporter au manuel d'utilisation du SITRANS LG200.

Température ambiante/de fonctionnement

- Température ambiante : -40 ... +80 °C (-40 ... +175 °F)
- Température et pression de process max. : suivant le type de capteur et la pression : cf. plaque d'identification de l'appareil.

Alimentation électrique



Usage général :

Sécurité intrinsèque :

11 ... 36 V CC

Protection anti-explosion :

¹. HART® est une marque déposée de HART Communication Foundation.

Homologations

N.B. : Les homologations applicables sont indiquées sur la plaque signalétique de l'appareil.

- Usage général CSA/FM, CE, C-TICK
- Sécurité intrinsèque FM Classe I, Div. 1, Groupes A, B, C, D, Classe II, Div. 1, Groupes E, F, G T4, Classe III, Type 4, IP65
- CSA Classe I, Div. 1, Groupes A, B, C, D, Classe II, Div. 1, Groupes E, F, G T4, Classe III, Type 4, IP65
- ATEX II 1G EEx ia IIC T4
- Antidéflagrante/
Anti-explosion FM Classe I, Div 1, Groupes B, C, D, Classe II, Div. 1, Groupes E, F, G T4, Classe III, Type 4, IP65
- CSA Classe I, Div. 1, Groupes B, C, D, Classe II, Div. 1, Groupes E, F, G T4, Classe III, Type 4, IP65
- ATEX II 1/2 G EEx d [ja] IIC T6
- ATEX II 1/2 D IP65 T85 °C
- NI (non-incendive) FM Classe I, Div. 2, Groupes A, B, C, D, Classe II, Div. 2, Groupes F, G T4, Classe III, Type 4, IP65
- CSA Classe I, Div. 2, Groupes A, B, C, D, Classe II, Div. 2, Groupes E, F, G T4, Classe III, Type 4, IP65
- Anti-étincelles ATEX II 3G EEx nA [nL] IIC T4 - T6
- ATEX II 3G EEx nA II T4 - T6
- Autres Sécurité fonctionnelle SIL 1 conformément à la norme CEI 61508
Pourcentage de défaillance en sécurité (SFF) de 85,5% (analyse d'un tiers (FMEDA) – matériel uniq.)
- Sécurité fonctionnelle SIL 2 conformément à la norme CEI 61508
Pourcentage de défaillance en sécurité (SFF) de 91% (analyse d'un tiers (FMEDA) – matériel uniquement)

Applications avec pression

! AVERTISSEMENTS :

- **Ne pas dévisser, retirer ou démonter le raccord process ou le boîtier de l'appareil lorsque l'intérieur de la cuve est sous pression.**
- **Une installation incorrecte peut provoquer une chute de pression dans le process.**

Installation



• AVERTISSEMENTS :

- Le parfait fonctionnement de cet appareil et sa sécurité présupposent un transport approprié, un stockage, une installation, une utilisation et une maintenance soigneuses.
- Cet appareil est conçu avec des matériaux choisis en fonction de leur compatibilité chimique, pour une exploitation générale. Se reporter aux tableaux de compatibilité avant toute utilisation dans un environnement spécifique.
- Le boulonnage et les joints choisis par l'utilisateur doivent permettre de respecter les consignes et les limites d'utilisation de la bride, et s'adapter aux conditions de fonctionnement.

Montage

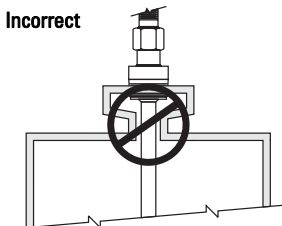
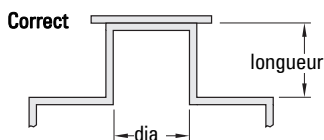
N.B. : Les instructions de montage pour les différents types de sonde sont fournies dans le manuel d'utilisation du SITRANS LG200.

Recommandations

- Accès facile pour la programmation avec les touches de l'appareil.
- Environnement adapté à l'indice de protection du boîtier et aux matériaux de construction.

Précautions

- L'application d'un isolant sur les composants du transmetteur SITRANS LG200 (y compris du raccord de la sonde) peut provoquer une accumulation excessive de chaleur et doit impérativement être évitée.
- Il est préférable de ne pas installer l'appareil près de câbles/contacts haute tension, câbles/régulateurs pour courant élevé et régulateurs de vitesse à fréquence variable.
- Eviter toute interférence du faisceau d'émission avec les obstacles ou les points de remplissage.
- Tige simple :
 1. Le diamètre du piquage ne doit pas excéder <math>< 50 \text{ mm (2")}</math>.
 2. Le rapport diamètre-longueur doit être 1:1 minimum. Si le rapport est inférieur à 1:1 (exemple : piquage 2"x6" = 1:3) il peut être nécessaire de prévoir une distance de blocage et/ou l'ajustement du diélectrique.
 3. Ne pas utiliser des raccords de réduction.
 4. Pour fonctionner correctement, la sonde doit être tenue à l'écart des objets conducteurs.
- Double tige :
 1. Prévoir un écart minimum de 25 mm (1") entre la tige active et tout obstacle.
 2. Diamètre minimum du puits de mesure ou du piquage : 76 mm (3").



Montage de la sonde (général)

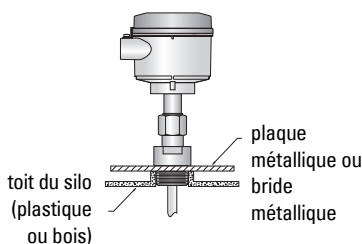
1. Prévoir un raccord process 3/4" NPT minimum pour les sondes coaxiales, 2" NPT pour les sondes rigides, ou un raccord à bride.
2. Installer délicatement la sonde dans la cuve. Aligner le joint d'étanchéité sur le raccord process.
3. Aligner le raccord process de la sonde au raccord de la cuve.
4. Pour les raccords filetés, serrer l'écrou hexagonal sur le raccord process de la sonde. Pour les raccords à bride, serrer les écrous de fixation de la bride.

Installation sur des réservoirs non-métalliques

Pour l'installation dans un silo non métallique ou une installation à ciel ouvert, une plaque de référence est nécessaire pour optimiser la qualité du signal transmis le long du guide d'ondes. Des performances optimales ne peuvent être garanties sans une transition correcte de l'onde au niveau du raccord process.

Si vous utilisez une sonde simple (tige ou câble) associée à un raccord process fileté, une plaque ou une bride en métal représente la surface de référence requise pour optimiser la mesure.

Un raccord process type bride convient généralement comme plaque de référence.



N.B. : Le SITRANS LG200 est conforme aux directives CE relatives à la compatibilité électromagnétique (EN 61326-1/2006). Pour garantir la conformité CE les sondes tige simple et double tige doivent être installées sur des cuves métalliques ou des tubes tranquillisateurs.

Installation du boîtier du transmetteur

1. Retirer le couvercle plastique sur la partie supérieure de la sonde. Le couvercle doit être gardé en lieu sûr. Il est utilisé pour protéger le transmetteur en cas de démontage.
2. Installer le transmetteur sur la sonde. Veiller à ne pas tordre ou salir le connecteur doré haute fréquence (mâle).
3. Aligner le raccord universel, situé sur la base du boîtier transmetteur, avec la partie supérieure de la sonde. Serrer le raccord manuellement.
4. Tourner le boîtier du transmetteur tel que requis pour le câblage, la configuration et la visualisation.
5. Une fois orienté le transmetteur, serrer le raccord universel (couple 15 ft-lbs) avec une clé 38 mm (1 1/2"). Il est fortement recommandé d'utiliser une clé de serrage dynamométrique. Ce raccord est très important. **LE SERRAGE MANUEL EST INSUFFISANT.**

Câblage

Alimentation électrique

AVERTISSEMENTS :



Les modèles HART du transmetteur SITRANS LG200 requièrent une tension d'alimentation de 11 à 36 V CC. Une tension d'alimentation supérieure endommagera le transmetteur.

Raccordement du SITRANS LG200

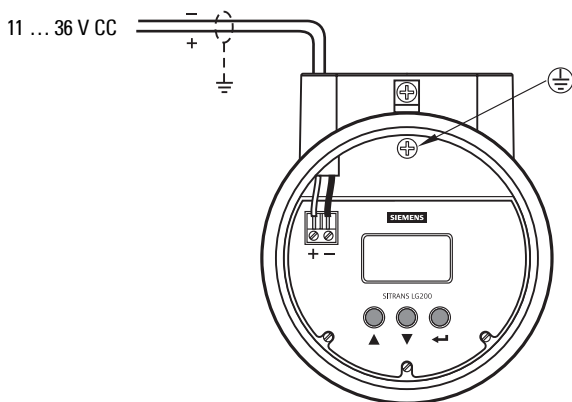
! AVERTISSEMENTS :

- Consulter la plaque signalétique de l'appareil pour vérifier la conformité avec les spécifications requises.
- Pour utiliser l'appareil en extérieur (Type 4/NEMA 4, IP65) prévoir des conduits étanches à la poussière et à l'eau.

N.B. :

- Pour plus de détails sur les raccordements électriques, consulter le manuel d'utilisation complet.
- Utiliser un câble paire torsadée blindée : 0,5 ... 1 mm² (AWG 22 ... 18)
- Des câbles et des conduits séparés¹ peuvent être nécessaires pour garantir la conformité avec les consignes de câblage ou les normes électriques.

Câblage



MODE RUN et Mode PROGRAM

Le SITRANS LG200 fonctionne sous deux modes : RUN et PROGRAM(mation)

Lors de la mise sous tension l'affichage du LG200 change toutes les 2 secondes, indiquant une des valeurs suivantes : **Etat**, **Niveau**, **%Sortie**, et **Courant de boucle**. En mode RUN, utiliser les flèches ▲ ▼ pour alterner entre les différents affichages. L'affichage peut être réglé pour indiquer les valeurs séparément.

En mode RUN, utiliser les flèches ▲ ▼ pour accéder au paramètre souhaité. Appuyer sur Enter ← pour accéder au mode PROGRAM (indique d'abord l'icône ! à la fin de la première ligne en haut.)

En mode PROGRAM, appuyer sur les flèches ▲ ▼ pour augmenter ou diminuer la valeur affichée et pour accéder à la valeur suivante. Pour un affichage rapide, maintenir les flèches appuyées.

¹ Lorsque le câble est installé sous un tube protecteur, utiliser des bouchons étanches adaptés.

Programmation pour la mise en service simplifiée

1. Retirer le couvercle de l'électronique.
2. Utiliser la flèche bas (▼) pour visualiser les différentes étapes du programme de configuration.
3. Appuyer sur la touche Enter (↵). Le dernier caractère sur la première ligne de l'afficheur se transforme en point d'exclamation (!).
4. Utiliser les flèches haut/bas ▲ ▼ pour augmenter ou diminuer la valeur affichée ou visualiser les choix proposés.
5. Appuyer sur Enter (↵) pour accepter une valeur et accéder à l'étape suivante de la configuration (mot de passe prédéfini : 0).
6. Pour revenir au mode RUN, accéder aux paramètres d'affichage (*Etat*)
7. Attendre 10 secondes après la validation de la dernière valeur puis couper l'alimentation du transmetteur (sauvegarde garantie).

Protection par mot de passe (valeur prédéfinie = 0)

L'accès aux menus associés au fonctionnement du transmetteur SITRANS LG200 est protégé par mot de passe. En mode **Program**, cela se traduit par l'affichage d'un point d'exclamation (!) sur la dernière ligne de l'affichage lorsque le mot de passe correct est introduit. L'utilisateur peut remplacer le mot de passe par une valeur numérique de son choix (max. 255). Toute modification des valeurs de configuration requiert l'introduction du mot de passe.

La valeur par défaut du mot de passe est 0. Entrer un nouveau mot de passe dans la dernière étape du menu de configuration. Lorsque le mot de passe est 0, le transmetteur n'est pas protégé. Cela permet de modifier les valeurs de menus sans introduire un mot de passe (excepté les valeurs de diagnostic).

La non utilisation du clavier pendant cinq minutes entraîne l'activation de la protection par mot de passe.

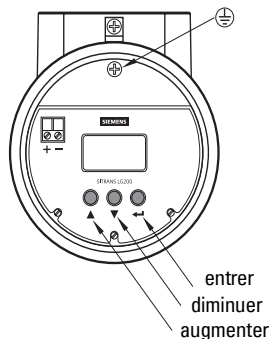
N.B. : Lorsque le mot de passe défini par l'utilisateur n'est pas accessible, l'item de menu New Password/Nouveau mot de passe indique une valeur cryptée, représentant le mot de passe actuel. Dans ce cas, communiquer cette valeur cryptée au fabricant pour déterminer le mot de passe applicable.

Activation du SITRANS LG200

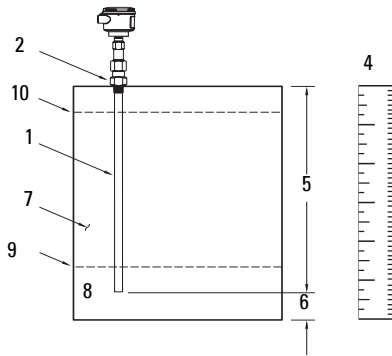
Mettre le LG200 sous tension. L'appareil démarre en mode **RUN**. L'affichage change toutes les 2 secondes, indiquant une des valeurs suivantes (lecture uniq.) : Etat, Niveau, %Sortie ou Courant de boucle.

Accès aux paramètres

1. Utiliser les **FLECHES** ▲ ▼ pour accéder à un paramètre modifiable. Pour un affichage rapide, maintenir les flèches appuyées.
2. Appuyer sur **Enter** (↵) pour sélectionner un paramètre.
3. Utiliser les **FLECHES** ▲ ▼ pour choisir la valeur du paramètre.
4. Appuyer sur **Enter** (↵) pour accepter une valeur et accéder à l'étape suivante de la programmation
5. Le nouveau paramètre et la valeur correspondante sont affichés.



Mise en service rapide



1. Modèle de sonde [cf. plaque d'identification (7MLxxxx-x) (7xX) pour plus de détails] :

2. Type de montage sonde NPT, BSP, ou bride [la référence produit permet de définir le type de montage (longueur d'insertion différente NPT / BSP)] :

3. Type de mesure (niveau uniq., volume, niveau d'interface ou niveau d'interface et volume) : _____

4. Unités de niveau (pouces, centimètres, pieds, mètres) :

5. Longueur de la sonde [cf. info modèle, sur la partie supérieure du capteur (Note Y01 = xxx cm)] : _____

6. Décalage de niveau (mesure de niveau souhaitée lorsque le liquide touche l'extrémité inférieure de la sonde) : _____

7. Diélectrique (constante diélectrique du milieu, incluant diélectrique de la couche supérieure pour la mesure d'interface) : _____

8. Contrôle de boucle (courant de sortie contrôlé par niveau ou volume ?) :

9. Définir 4.0 mA (quel est le point de référence pour la valeur 4.0 mA ?) : _____

10. Définir 20 mA (quel est le point de référence pour la valeur 20.0 mA ?) : _____

Mise en service rapide : étapes 1 à 10

1. Sélectionner le type de sonde (prédéfini : 7xA-x)

Valeurs	Modèles : 7xA-x (7ML1301-1), 7xB-x (7ML1302-1), 7xD-x (7ML1301-2), 7xF-x (7ML1303-1), 7xF-E (7ML1303-1D), 7xF-F (7ML1303-1E), 7xF-4 (7ML1303-1J), 7xF-P (7ML1303-1H), 7xJ-x (7ML1303-2), 7xK-x (7ML1305-1), 7xP-x (7ML1301-3), 7xR-x (7ML1301-4), 7xS-x (7ML1301-5), 7xT-x (7ML1301-6), 7x1-x (7ML1304-1), 7x2-x (7ML1304-2), 7x5-x (7ML1302-2), 7x7-x (7ML1302-3)
---------	---

2. Sélectionner le type de montage (prédéfini : NPT)

Valeurs	NPT
	BSP
	Bride

3. Sélectionner le type de mesure (prédéfini : Lvl uniq.)

Valeurs	Lvl	Sélectionner le type de mesure.
	Lvl&Vol	
	Ifc	
	Ifc&Vol	

4. Sélectionner l'unité de mesure (prédéfini : pouces)

Valeurs	cm
	pouces
	pieds
	mètres

5. Sélectionner la longueur de la sonde (prédéfini : 120.0 pouces)

Valeurs	Sonde Ln xxx.x. La longueur de la sonde est indiquée sur la plaque signalétique et dans les réf. de commande (en cm).
---------	---

6. Sélectionner le décalage de niveau (prédéfini : 0 pouces)

Valeurs	Portée : -61 ... 762 cm (-24 ... 300"). Le décalage de niveau correspond à la distance entre l'extrémité de la sonde et le niveau vide. Entrer la valeur de mesure souhaitée lorsque la sonde est sèche.
---------	--

7. Sélectionner le diélectrique (prédéfini : 10 – 100)

Valeurs	1.4 – 1.7	Sélectionner la plage applicable à la constante diélectrique du produit. Le LG200 règle la sensibilité de mesure en fonction du diélectrique défini. Le réglage par défaut varie en fonction du type de sonde (réf. 7ML1301-5 : 10–100 ; version pour interfaces (7ML1301-6 uniq.) choix possible entre 3–10 et 10–100).
	1.7 – 3	
	3 – 10	
	10 – 100	

8. Sélectionner le contrôle en boucle (prédéfini : Lvl)

Valeurs	Lvl	Niveau	Variable applicable au courant de contrôle en boucle.
	Lvl&Vol	Niveau et Volume	
	Ifc	Niveau ou Niveau d'interface	
	Ifc&Vol	Niveau, Niveau d'interface, Volume, Volume d'interface	

9. Point de consigne 4 mA (valeur par défaut : 0.0 pouces ou 0.0 gal)

Valeurs	Définir 4 mA xxx.x (Entrer la valeur PV pour le point 4 mA).	Entrer le niveau correspondant au 0% ou à la sortie 4 mA. Cette valeur peut être inférieure ou supérieure au point 20 mA. L'introduction de valeurs identiques pour les points 4 mA et 20 mA entraîne l'affichage de 3,8 mA lorsque le niveau est inférieur aux points de consigne et 20,5 mA lorsque le niveau est supérieur. Une zone de transition réduite [entre 0 et 15 cm (6")] peut être présente sur la partie supérieure ou inférieure de la sonde.
---------	---	--

10. Point de consigne 20 mA (valeur par défaut : 120.0 pouces ou 396.3 gal)

Valeurs	Définir 20 mA xxx.x (Entrer la valeur PV pour le point 20 mA).	Entrer le niveau correspondant au 100% ou à la sortie 20 mA. Cette valeur peut être inférieure ou supérieure au point 4 mA. L'introduction de valeurs identiques pour les points 4 mA et 20 mA entraîne l'affichage de 3,8 mA lorsque le niveau est inférieur aux points de consigne et 20,5 mA lorsque le niveau est supérieur. Une zone de transition réduite [entre 0 et 15 cm (6")] peut être présente sur la partie supérieure ou inférieure de la sonde.
---------	---	---

Utiliser les **FLECHES** ▲ ▼ pour revenir au mode **RUN**. Le système est prêt à fonctionner. Respecter la séquence de visualisation.

Communication SITRANS LG200 : HART

- Vous trouverez des explications détaillées sur les paramètres applicables dans la version complète du manuel d'utilisation.
- Pour obtenir la Description d'Appareil HART (DD), consulter la HART Communication Foundation, www.hartcomm.org.
- Siemens Milltronics Process Instruments vous conseille d'utiliser SIMATIC Process Device Manager (PDM) pour programmer le SITRANS LR 200.

Maintenance

Utilisé en conditions de fonctionnement normales, le SITRANS LG200 ne requiert pas de maintenance ou de nettoyage. Si le nettoyage s'avère nécessaire :

1. Choisir un produit de nettoyage adapté aux matériaux de construction de la sonde et au milieu mesuré.
2. Retirer l'appareil de l'application et nettoyer la sonde avec un tissu et un produit adapté.

Réparation de l'appareil et limite de responsabilité

Pour plus de détails, veuillez vous reporter à la dernière page de couverture.

Guida di Avvio Rapido SITRANS LG200

Questo manuale descrive le principali caratteristiche e funzioni del SITRANS LG200. Si consiglia all'operatore di leggere il manuale d'uso integrale per ottenere i massimi risultati. Il manuale completo del SITRANS LG200 può essere scaricato all'indirizzo: <https://pia.khe.siemens.com/index.asp?Nr=15361>. Per ulteriori informazioni su questo manuale, rivolgersi a:

Siemens Milltronics Process Instruments Inc.
1954 Technology Drive, P.O. Box 4225
Peterborough, Ontario, Canada, K9J 7B1
Email: techpubs.smpi@siemens.com

**Copyright Siemens Milltronics
Process Instruments Inc. 2008.
Tutti i diritti riservati**

Clausola di esclusione della responsabilità

Si consiglia agli utenti di acquisire manuali stampati autorizzati oppure di consultare le versioni elettroniche progettate e realizzate da Siemens Milltronics Process Instruments Inc. Siemens Milltronics Process Instruments Inc. non potrà essere ritenuta responsabile per la riproduzione parziale o totale del contenuto delle versioni stampate o elettroniche.

La conformità tra lo stato tecnico dell'apparecchio e il contenuto di questo manuale è stata verificata; tuttavia, potrebbero essere riscontrate alcune variazioni. SMPI non garantisce pertanto la completa conformità del manuale con l'apparecchio descritto. Si avvisa inoltre che tutti i manuali vengono regolarmente controllati ed aggiornati e che le eventuali correzioni vengono incluse nelle versioni successive. Si invitano gli utenti a trasmettere i propri suggerimenti e commenti a SMPI.

SMPI si riserva il diritto di apportare modifiche tecniche.

MILLTRONICS è un marchio registrato di Siemens Milltronics Process Instruments Inc.

Indicazioni di sicurezza

L'apparecchio deve essere utilizzato osservando le avvertenze. Un utilizzo non corretto potrebbe causare danni anche gravi alle persone, sia al prodotto e agli apparecchi ad esso collegati. Le avvertenze contengono una spiegazione dettagliata del livello di sicurezza da osservare.



ATTENZIONE: questo simbolo sul prodotto indica che la mancata osservazione delle precauzioni necessarie può causare morte o gravi lesioni personali nonché seri danni materiali.



ATTENZIONE! questo simbolo indica che la mancata osservazione delle precauzioni necessarie può causare morte o gravi lesioni personali nonché seri danni materiali.

Nota: le note contengono importanti informazioni sul prodotto o sulla sezione del manuale d'istruzioni a cui viene fatto riferimento.

¹ Questo simbolo viene usato se sul prodotto non appare il corrispondente simbolo di avvertimento.

SITRANS LG200

! ATTENZIONE: ogni cambiamento o modifica non espressamente approvato da Siemens potrebbe revocare il diritto all'utilizzo dell'apparecchio.

Note:

- Il presente apparecchio è stato collaudato e risultato conforme ai vincoli relativi ai dispositivi digitali di Classe A, inclusi nella Parte 15 della normativa FCC. Tali vincoli sono stati stabiliti ai fini di garantire un'adatta protezione da interferenze dannose durante l'utilizzo dell'apparecchio in ambienti commerciali.
- Il presente apparecchio genera, utilizza e può emettere energia in radio frequenza. Se installata e utilizzata in modo improprio, vale a dire in difformità con il relativo manuale d'istruzioni, il presente apparecchio può causare interferenze dannose alle radiocomunicazioni. L'impiego del presente apparecchio all'interno di una zona residenziale potrebbe causare interferenze dannose. In tal caso, l'utente dovrà risolvere il problema ed eliminare tali interferenze a proprie spese.
- Per garantire la protezione il SITRANS LG200 deve essere utilizzato osservando le istruzioni e avvertenze contenute in questo manuale.
- Questo prodotto è stato progettato per l'uso in ambienti industriali. L'uso di questo apparecchio in zone residenziali può causare disturbi alle comunicazioni radiofoniche.

Il sensore a microonde guidate (TDR) SITRANS LG200 è particolarmente adatto alla misura di livello, livello/interfaccia e volume di liquidi e solidi, in campi di misura corti e medi. E' insensibile alle condizioni operative variabili, con temperature elevate, forti pressioni, e vapore.

Il SITRANS LG200 è compatibile con il protocollo di comunicazione HART¹ e il software SIMATIC PDM.

Specifiche tecniche

Il dati tecnici completi sono descritti nel manuale di istruzioni SITRANS LG200.

Temperatura ambiente/di funzionamento

- Temperatura ambiente: da -40 a +80 °C (da -40 a +175 °F)
- Massima temperatura e pressione di processo: Variabile a seconda del tipo di sensore e della pressione. (vedi etichetta sull'apparecchio)

Alimentazione



Uso generale:

Intrinsecamente sicuro: 11 ... 36 V DC

Non a rischio di esplosione:

¹. HART® è un marchio registrato della HART Communication Foundation.

Certificazioni

Nota: Per informazioni sulle omologazioni, consultare la targhetta sull'apparecchiatura.

- Uso generale CSA/FM, CE, C-TICK
- Sicurezza intrinseca FM Classe I, Div. 1, Gruppi A, B, C, D, Classe II, Div. 1, Gruppi E, F, G T4, Classe III, Type 4, IP65
- CSA Classe I, Div. 1, Gruppi A, B, C, D, Classe II, Div. 1, Gruppi E, F, G T4, Classe III, Tipo 4, IP65
- ATEX II 1G EEx ia IIC T4
- Antideflagrante a prova di esplosione/FM Classe I, Div 1, Gr. B, C, D, Classe II, Div. 1, Antideflagrante a tenuta di fiammaGruppi E, F, G T4, Classe III, Tipo 4, IP65
- CSA Classe I, Div. 1, Gruppi B, C, D, Classe II, Div. 1, Gruppi E, F, G T4, Classe III, Tipo 4, IP65
- ATEX II 1/2 G EEx d [ia] IIC T6
- ATEX II 1/2 D IP65 T85 °C
- NI (Non Incendive) FM Classe I, Div. 2, Gruppi A, B, C, D, Classe II, Div. 2, Gruppi F, G T4, Classe III, Tipo 4, IP65
- CSA Classe I, Div. 2, Gruppi A, B, C, D, Classe II, Div. 2, Gruppi E, F, G T4, Classe III, Tipo 4, IP65
- Antiscintilla ATEX II 3G EEx nA [nL] IIC T4 - T6
- ATEX II 3G EEx nA II T4 - T6
- Varie Sicurezza funzionale SIL, conforme alla norma CEI 61508 Frazione del guasto in sicurezza (SFF) 85.5% (analisi FMEDA effettuata da terzi; hardware unicamente)
- Sicurezza funzionale SIL 2, conforme alla norma CEI 61508 Frazione del guasto in sicurezza (SFF) 91% (analisi FMEDA effettuata da terzi; hardware unicamente)

Applicazioni a pressione

! ATTENZIONE:

- **Non** svitare, smontare o rimuovere l'attacco di collegamento al sistema o la custodia dell'apparecchiatura quando il contenuto del serbatoio è sotto pressione.
- L'installazione errata può provocare un calo della pressione di lavoro.

Installazione



ATTENZIONE:

- Questa apparecchiatura funziona in modo appropriato e sicuro solo se trasportata, custodita, installata, impostata, utilizzata e conservata in modo corretto.
- I materiali di composizione vengono scelti in base alla compatibilità chimica (o inerzia) per uso generico. Per l'esposizione in ambienti specifici, verificare il grafico della compatibilità chimica prima di procedere all'installazione.
- L'utente è responsabile della selezione dei materiali quali bulloni o guarnizioni che consentano di rispettare i limiti e l'uso appropriato della flangia e che siano adeguati alle condizioni di servizio.

Posizionamento

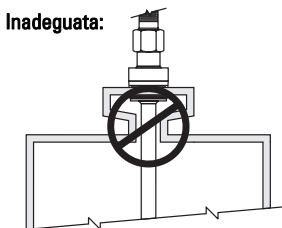
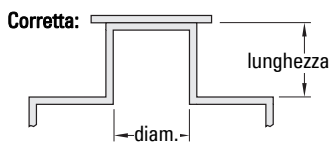
Nota: Le istruzioni di montaggio complete per tutti i tipi di sensore sono riportate nel manuale d'uso del SITRANS LG200.

Raccomandazioni

- Accesso facilitato per la programmazione tramite i pulsanti.
- Scegliere un ambiente idoneo al grado di protezione e ai materiali di composizione della custodia.

Precauzioni

- L'applicazione di materiale isolante su qualsiasi parte del trasmettitore SITRANS LG200, compresa la flangia, può provocare l'accumulazione di calore e va quindi evitata.
- Evitare di installare l'apparecchio in prossimità di fili elettrici o cavi ad alta tensione, di contatti ad alta tensione e di controller di velocità motori a frequenza variabile.
- Evitare interferenze al cono di emissione causate da ostruzioni o dal circuito di riempimento.
- Barra singola:
 1. Non installare su tronchetti di diametro <math>< 50 \text{ mm (2")}</math>.
 2. Installare in applicazioni dove il rapporto diametro:lunghezza è 1:1 (minimo). Se il rapporto è inferiore a 1:1 (es. tronchetto 2"x6" = 1:3) può essere necessario prevedere una distanza di bloccaggio o regolare il dielettrico.
 3. Non utilizzare tubi di riduzione.
 4. Per garantire le massime prestazioni mantenere gli oggetti conduttori lontani del sensore.
- Barra doppia:
 1. Installare la barra attiva a una distanza di almeno 25 mm (1") da eventuali ostacoli.
 2. Il diametro del tronchetto o tubo bypass per l'installazione del sensore non deve essere inferiore a 76 mm (3").



Montaggio generale del sensore

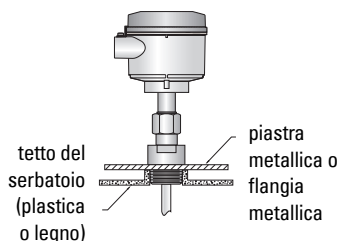
1. Assicurarsi che l'attacco di processo sia $\frac{3}{4}$ " NPT (minimo) per sensori coassiali, 2" NPT (minimo) per sensori rigidi, o con flangia.
2. Collocare accuratamente il sensore all'interno del serbatoio. Allineare la guarnizione sulle installazioni dotate di flangia.
3. Allineare l'attacco di processo con il raccordo filettato o flangiato sul serbatoio.
4. Raccordi filettati: stringere il dado esagonale dell'attacco di processo del sensore.
Raccordi flangiati: stringere le viti della flangia.

Fissaggio a serbatoi non metallici

Il montaggio su serbatoi di materiale non metallico o serbatoi aperti richiede l'installazione di una piastra di riferimento, che consente di ottimizzare la qualità del segnale trasmesso lungo la guida d'onda. Solo disponendo di un'adeguata transizione all'attacco di collegamento è possibile garantire le massime prestazioni.

L'installazione di una piastra metallica o flangia consente di migliorare considerevolmente le prestazioni dei sensori ad asta singola, rigida o flessibile (funne) con attacco di processo filettato.

Un'attacco al processo filettato si presta generalmente all'installazione della piastra di riferimento.



Nota: SITRANS LG200 porta il marchio CE e garantisce la compatibilità elettromagnetica (EN 61326-1/2006). I sensori ad asta singola o doppia vanno fissati su serbatoi o pozzetti di misura per garantire la conformità CE.

Installazione del trasmettitore (custodia)

1. Rimuovere il coperchio di plastica sulla parte superiore del sensore. Tenere il coperchio a disposizione per proteggere il trasmettitore ulteriormente se necessario.
2. Collocare il trasmettitore sul sensore. E' importante non piegare o sporcare il connettore maschio alta frequenza (dorato).
3. Allineare l'attacco universale situato alla base della custodia del trasmettitore e la parte superiore del sensore. Stringere manualmente.
4. Girare il trasmettitore fino ad ottenere la posizione migliore per il cablaggio, la configurazione e la visualizzazione.
5. Una volta raggiunta la posizione giusta, stringere l'attacco universale sul trasmettitore con una chiave 38 mm (1½"). Coppia di serraggio consigliata: 15 ft-lbs. E' consigliabile utilizzare una chiave di serraggio dinamometrica. Questo collegamento è molto importante. **NON E' SUFFICIENTE IL SERRAGGIO MANUALE.**

Collegamento elettrico

Alimentazione

ATTENZIONE:



Tutte le versioni HART del trasmettitore SITRANS LG200 richiedono un'alimentazione 11 - 36 V DC. Se la tensione è superiore danneggerà il trasmettitore.

Collegamenti SITRANS LG200

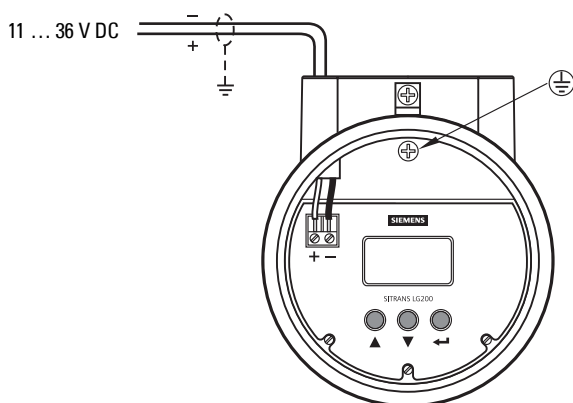
! ATTENZIONE:

- Per informazioni sulle omologazioni, consultare la targhetta sull'apparecchiatura.
- Le applicazioni esterne Tipo 4/NEMA 4, IP65 richiedono l'impiego di pressacavi e guarnizioni a tenuta stagna alla polvere e all'acqua.

Note:

- I collegamenti elettrici sono descritti in dettaglio nel manuale d'uso integrale.
- Utilizzare un cavo bifilare ritorto e schermato: 0,5 ... 1 mm² (AWG 22 ... 18).
- Potrà essere necessario separare i cavi e conduit¹ in conformità con le procedure standard di cablaggio della strumentazione o con codici locali per materiali elettrici.

Collegamento elettrico



Modo RUN e Modo PROGRAM

SITRANS LG200 dispone di 2 modalità di funzionamento: RUN e PROGRAM.

Una volta collegato il LG200 all'alimentazione il display cambia ogni 2 secondi per indicare uno dei seguenti valori: **Stato**, **Livello**, **%Uscita**, e **Corrente del loop**. In modo RUN, utilizzare i tasti freccia ▲ ▼ per passare da un display all'altro. E' anche possibile impostare l'indicazione di ogni display.

In modo RUN, premere le frecce ▲ ▼ per accedere al parametro da modificare. Premere Enter ◀ per passare al modo PROGRAM (indica un punto di esclamazione ! alla fine della prima linea del display.)

In modo PROGRAM, premere le frecce ▲ ▼ per aumentare o diminuire il valore indicato e per passare alla selezione successiva. Per ottenere lo scorrimento veloce premere i tasti freccia.

¹ Se il cavo viene inserito in un tubo protettivo o conduit, utilizzare un pressatubo di dimensioni adatte per garantire la tenuta stagna all'acqua.

Programmazione per l'avvio rapido

1. Rimuovere il coperchio dell'elettronica.
2. Premere la freccia basso (▼) per passare attraverso le diverse tappe del programma di configurazione.
3. Premere il tasto Enter (↵). L'ultimo carattere sulla prima linea del display diventa un punto di esclamazione (!).
4. Premere i tasti freccia basso/alto ▲ ▼ per aumentare o diminuire il valore indicato o per passare da una selezione all'altra.
5. Premere Enter (↵) per accettare un valore e passare alla tappa seguente della configurazione (password preimpostata: 0).
6. Per tornare al modo RUN, accedere ai parametri di visualizzazione (*Status*)
7. Immettere l'ultimo valore e attendere 10 secondi circa prima di staccare l'alimentazione del trasmettitore (funzione save/memorizzazione).

Protezione con password (preimpostata = 0)

Il trasmettitore del SITRANS LG200 è protetto tramite password per limitare l'accesso a parti del menù legate al funzionamento dell'apparecchio. Immettendo la password giusta in modo **Program**, si visualizza un punto di esclamazione (!) sulla prima linea del display. L'utente può sostituire la password preimpostata con un valore numerico a scelta (massimo 255). La password sarà necessaria per modificare i valori di configurazione/impostazione.

La password preimpostata è 0. Immettere una nuova password nell'ultima tappa del menù di configurazione. Se la password è 0, è possibile impostare qualsiasi valore del menù di configurazione del trasmettitore, senza immettere una password di conferma (salvo valori di diagnostica).

Il mancato utilizzo dei tasti del SITRANS LG200 per più di 5 minuti provoca l'impostazione automatica della sicurezza (richiede password).

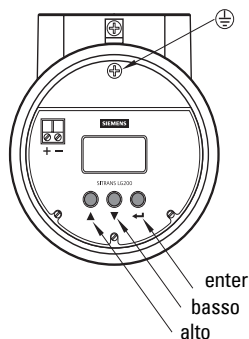
NOTA: In mancanza della password dell'utente, item New Password/Nuova Password del menù indica un valore criptato che rappresenta l'attuale password. Si consiglia di fornire questo valore criptato al fabbricante per determinare l'attuale password.

Attivazione del SITRANS LG200

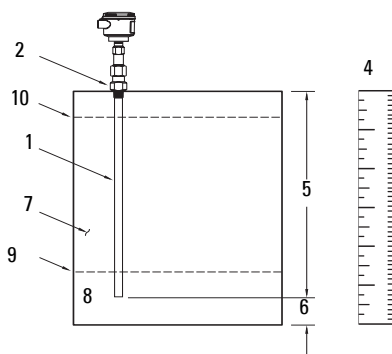
Collegare il LG200 all'alimentazione. L'apparecchio viene attivato nel modo **RUN**. Il display indica uno dei seguenti valori (sola lettura) ogni 2 secondi: Stato, Livello, %Uscita, e Corrente del loop.

Accesso ad un parametro

1. Premere i tasti **FRECCIA** ▲ ▼ per passare a un parametro diverso. Per ottenere lo scorrimento veloce mantenere premuti i tasti freccia.
2. Per selezionare un parametro premere il tasto **Enter** (↵).
3. Per selezionare il valore del parametro premere i tasti **freccia** ▲ ▼.
4. Per confermare un valore e passare alla tappa seguente della programmazione premere il tasto **Enter** (↵).
5. Il display a cristalli liquidi visualizza il nuovo parametro e il valore.



Programmazione per l'avvio rapido



1. Tipo di sensore [vedi targhetta dell'apparecchio (7MLxxxx-x) (7xX)]: _____
2. Tipo di montaggio sensore, NPT/ BSP/flangia [definire in base al numero pezzo (lunghezza di inserzione diversa per NPT e BSP)]: _____
3. Tipo di misura (solo livello, volume, livello interfaccia, o livello interfaccia e volume): _____
4. Unità di livello (pollici, centimetri, piedi, metri): _____
5. Lunghezza sensore [indicata sulla parte superiore del sensore (Nota Y01 = xxx cm)]: _____
6. Scostamento livello (display di lettura desiderato quando il liquido raggiunge la punta del sensore): _____
7. Dielettrico (costante dielettrica del prodotto nel serbatoio, dielettrico del strato superiore per la misura di interfaccia): _____
8. Controllo del loop (Corrente di uscita controllata tramite livello/volume): _____
9. Impostare 4,0 mA (piano di riferimento per il valore 4.0 mA): _____
10. Impostare 20 mA (piano di riferimento per il valore 20.0 mA): _____

Configurazione rapida: tappe 1 - 10

1. Selezionare il tipo di sensore (preimpostato: 7xA-x)

Valori	Impostazioni:
	7xA-x (7ML1301-1), 7xB-x (7ML1302-1), 7xD-x (7ML1301-2), 7xF-x (7ML1303-1), 7xF-E (7ML1303-1D), 7xF-F (7ML1303-1E), 7xF-4 (7ML1303-1J), 7xF-P (7ML1303-1H), 7xJ-x (7ML1303-2), 7xK-x (7ML1305-1), 7xP-x (7ML1301-3), 7xR-x (7ML1301-4), 7xS-x (7ML1301-5), 7xT-x (7ML1301-6), 7x1-x (7ML1304-1), 7x2-x (7ML1304-2), 7x5-x (7ML1302-2), 7x7-x (7ML1302-3)

2. Selezionare il tipo di montaggio sensore (preimpostato: NPT)

Valori	NPT
	BSP
	Flangia

3. Selezionare il tipo di misura (preimpostato: solo Lvl/Livello)

Valori	Lvl	Selezionare il tipo di misura.
	Lvl&Vol	
	Ifc	
	Ifc&Vol	

4. Selezionare l'unità di livello (Preimpostata: pollici)

Valori	cm
	pollici
	piedi
	metri

5. Selezionare la lunghezza del sensore (preimpostata: 120.0 pollici)

Valori	Ln xxx.x Sensore. La lunghezza del sensore è indicata sulla targhetta di identificazione e nelle specifiche dell'ordine (in cm).
--------	--

6. Selezionare lo Scostamento livello (Preimpostato: 0 pollici)

Valori	Portata: -61 ... 762 cm (-24 ... 300"). Lo scostamento livello è la distanza tra la punta del sensore e il punto di livello zero desiderato. Introdurre la lettura desiderata quando il sensore è secco.
--------	--

7. Selezionare il dielettrico (preimpostato: 10 – 100)

Valori	1.4 – 1.7	Selezionare la portata che delimita la costante dielettrica del prodotto nel serbatoio. Il misuratore LG200 utilizza il valore dielettrico per regolare la sensibilità. Il valore preimpostato è definito a seconda del sensore (per 7ML1301-5: valore 10–100; per modulo di interfaccia (solo 7ML1301-6), valore 3–10, 10–100).
	1.7 – 3	
	3 – 10	
	10 – 100	

8. Selezionare il controllo circuito (preimpostato: Lvl)

Valori	Lvl	Livello	Selezionare la variabile per controllare la corrente di circuito.
	Lvl&Vol	Livello e Volume	
	Ifc	Livello o Livello interfaccia	
	Ifc&Vol	Livello, Livello interfaccia, Volume, Volume interfaccia	

9. Valore di taratura 4 mA (preimpostato: 0.0 pollici o 0.0 gal)

Valori	Selezionare 4 mA xxx.x (introdurre valore PV per il punto 4 mA).	Introdurre il livello per il 0% o l'uscita 4 mA. Il valore può essere inferiore o superiore al punto 20 mA. Impostando valori identici per i punti 4 mA e 20 mA si ottiene l'indicazione di 3,8 mA quando il livello è inferiore ai punti di taratura e 20,5 mA quando il livello è superiore. E' possibile osservare una zona di transizione ridotta [di 0 - 15 cm (6")] sulla parte superiore o inferiore del sensore.
--------	--	---

10. Valore di taratura 20 mA (preimpostato: 120.0 pollici o 396.3 gal)

Valori	Impostare 20 mA xxx.x (Introdurre il valore PV per il punto 20 mA).	Introdurre il livello per il 100% o l'uscita 20 mA. Il valore può essere inferiore o superiore al punto 4 mA. Impostando valori identici per i punti 4 mA e 20 mA si ottiene l'indicazione di 3,8 mA quando il livello è inferiore ai punti di taratura e 20,5 mA quando il livello è superiore. E' possibile osservare una zona di transizione ridotta [di 0 - 15 cm (6")] sulla parte superiore o inferiore del sensore.
---------------	---	---

Premere i tasti **freccia** ▲ ▼ per tornare al modo **RUN**: l'impostazione base è terminata. Visualizzare la sequenza di display.

Comunicazione SITRANS LG200: HART

- E' necessario consultare il manuale d'uso integrale per ottenere la lista di tutti i parametri.
- HART Device Description (DD) è disponibile presso la HART Communication Foundation, www.hartcomm.org.
- Si consiglia di utilizzare SIMATIC Process Device Manager (PDM) per programmare l'apparecchio.

Manutenzione

SITRANS LG200 non richiede interventi di manutenzione o pulizia in condizioni operative normali. In condizioni operative particolari può essere necessario effettuare una pulizia dell'apparecchio.

1. Procedere alla pulizia dell'apparecchio tenendo conto dei materiali utilizzati per il sensore e del materiale all'interno del serbatoio.
2. Rimuovere l'apparecchio e pulire il sensore con un panno e una soluzione detergente appropriata.

Riparazione dell'apparecchio ed esclusione di responsabilità

Per ulteriori informazioni consultare la copertina finale di questo manuale.

SITRANS LG200 Quick Start Handleiding

Deze handleiding beschrijft de belangrijkste kenmerken en functies van de SITRANS LG200. Wij raden u sterk aan de uitgebreide versie van de handleiding aan te schaffen zodat u uw instrument zo optimaal mogelijk kunt gebruiken. De volledige handleiding is beschikbaar via de SITRANS LG200 productpagina van onze website: <https://pia.khe.siemens.com/index.asp?Nr=15361>.

Vragen over de inhoud van deze handleiding kunt u richten aan:

Siemens Milltronics Process Instruments Inc.
1954 Technology Drive, P.O. Box 4225
Peterborough, Ontario, Canada, K9J 7B1
Email: techpubs.smpi@siemens.com

**Auteursrecht Siemens Milltronics
Process Instruments Inc. 2008.
Alle rechten voorbehouden**

Disclaimer

Wij raden gebruikers aan geautoriseerde, ingebonden gebruikershandleidingen te kopen, of om de elektronische versies te raadplegen, zoals ontworpen en goedgekeurd door Siemens Milltronics Process Instruments Inc. Siemens Milltronics Process Instruments Inc. is niet aansprakelijk voor de inhoud van gedeeltelijk, of geheel gekopieerde versies, gebonden of elektronisch.

Hoewel we de inhoud van deze gebruikershandleiding hebben geverifieerd aan de omschreven instrumentatie, kunnen desondanks afwijkingen voorkomen. Wij kunnen derhalve niet een volledige overeenstemming garanderen. De inhoud van deze handleiding wordt regelmatig herzien, en correcties worden opgenomen in volgende uitgaven. Wij houden ons aanbevolen voor suggesties ter verbetering.

Technische gegevens kunnen worden gewijzigd.

MILLTRONICS is een geregistreerd handelsmerk van Siemens Milltronics Process Instruments Inc.

Veiligheidsrichtlijnen

Waarschuwingmeldingen moeten worden aangehouden om de eigen veiligheid en die van anderen te waarborgen en om het product en de aangesloten apparatuur te beschermen. Deze waarschuwingmeldingen gaan vergezeld met een verduidelijking van de mate van voorzichtigheid die moet worden aangehouden.



Waarschuwing: Heeft betrekking op een waarschuwingssymbool op het product en betekent dat het niet aanhouden van de noodzakelijke voorzorgsmaatregelen kan leiden tot ernstig of dodelijk letsel en/of aanzienlijke materiële schade.



WAARSCHUWING¹: betekent dat het niet aanhouden van de noodzakelijke voorzorgsmaatregelen kan leiden tot ernstig of dodelijk letsel en/of aanzienlijke materiële schade

Opmerking: geeft belangrijke informatie aan over het product of dat deel van de gebruikershandleiding.

¹. Dit symbool wordt gebruikt wanneer er geen corresponderend waarschuwingssymbool op het product aanwezig is.

SITRANS LG200

- ! WAARSCHUWING: Wijzigingen of modificaties die niet uitdrukkelijk zijn goedgekeurd door Siemens kunnen de toestemming om de apparatuur te bedienen ongeldig maken.**

Opmerkingen:

- Deze apparatuur is getest, en voldoet aan de grenswaarden voor een Class A digital device, zoals vastgelegd in Part 15 van de FCC regelgeving. Deze grenswaarden zijn vastgelegd voor het bieden van een redelijke bescherming tegen schadelijke interferentie wanneer de apparatuur wordt gebruikt in een commerciële omgeving.
- Deze apparatuur genereert, gebruikt en kan radiofrequentie-energie uitzenden en kan, indien niet gebruikt en geïnstalleerd conform de gebruikershandleiding schadelijke interferentie veroorzaken voor radiocommunicatie. Gebruik van deze apparatuur in woonomgevingen zal hoogstwaarschijnlijk leiden tot schadelijke interferentie. In dat geval moet de gebruiker de interferentie voor eigen rekening corrigeren.
- De SITRANS LG200 mag uitsluitend worden gebruikt op de manier zoals beschreven in deze handleiding, anders kan de bescherming die deze apparatuur biedt in gevaar komen.]
- Dit product is bedoeld voor toepassing in industriële gebieden. Toepassing van deze apparatuur in een woonomgeving kan leiden tot interferentie van verschillende communicatiemiddelen die bepaalde frequenties gebruiken.

SITRANS LG200 is een geleide golfradartransmitter, voor het korte en middenlange bereik, voor niveau, niveau/scheidingslaag en volumemeting van vloeistoffen en stortgoed. Het instrument wordt niet beïnvloed door wijzigingen in procescondities, hoge temperaturen en stoom.

De SITRANS LG200 ondersteunt het HART¹ communicatieprotocol en SIMATIC PDM software.

Specificaties

Raadpleeg de SITRANS LG200 gebruikershandleiding voor een volledig overzicht.

Omgevings-/bedrijfstemperatuur

- Omgevingstemperatuur -40 tot +80 °C (-40 tot +175 °F)
- Max. procestemperatuur en -druk: afhankelijk van sensortype en druk; zie procestypeplaatje voor meer info

Voeding



General Purpose:

Intrinsiekveilig:

Explosieveilig:

11 tot 36 V DC

¹. HART[®] is een geregistreerd handelsmerk van de HART Communications Foundation.

Goedkeuringen

Opmerking: Het typeplaatje van het instrument geeft een opsomming van alle goedkeuringen voor uw instrument.

- General Purpose CSA/FM, CE, C-TICK
- Intrinsiekveilig FM Class I, Div. 1, Groups A, B, C, D, Class II, Div. 1, Groups E, F, G T4, Class III, Type 4, IP65
- CSA Class I, Div. 1, Groups A, B, C, D, Class II, Div. 1, Groups E, F, G T4, Class III, Type 4, IP65
- ATEX II 1 G EEx ia IIC T4
- Explosieveilig / Flame Proof FM Class I, Div 1, Groups B, C, D, Class II, Div. 1, Groups E, F, G T4, Class III, Type 4, IP65
- CSA Class I, Div. 1, Groups B, C, D, Class II, Div. 1, Groups E, F, G T4, Class III, Type 4, IP65
- ATEX II 1/2 G EEx d [ia] IIC T6
- ATEX II 1/2 D IP65 T85 °C
- Niet brandveroorzakend FM Class I, Div. 2, Groups A, B, C, D, Class II, Div. 2, Groups F, G T4, Class III, Type 4, IP65
- CSA Class I, Div. 2, Groups A, B, C, D, Class II, Div. 2, Groups E, F, G T4, Class III, Type 4, IP65
- Niet vonkend ATEX II 3G EEx nA [nL] IIC T4 tot T6
- ATEX II 3G EEx nA II T4 to T6
- Andere Functionele veiligheid conform SIL 1 overeenkomstig met IEC 61508
Safe Failure Fraction (SFF) van 85,5% (Externe FMEDA analyse - alleen hardware)
- Functionele veiligheid conform SIL 2 overeenkomstig met IEC 61508
Safe Failure Fraction (SFF) van 91% (Externe FMEDA analyse - alleen hardware)

Druktoepassing

! WAARSCHUWINGEN:

- **Probeer niet de procesaansluiting los te draaien, te verwijderen of te demonteren terwijl de tank onder druk staat.**
- **Onjuiste installatie kan leiden tot verlies aan procesdruk.**

Installatie



- **WAARSCHUWINGEN:**
- Dit product kan uitsluitend correct en veilig werken wanneer het correct wordt getransporteerd, opgeslagen, geïnstalleerd, ingesteld, bediend en onderhouden.
- Constructiematerialen zijn gekozen op basis van hun chemische compatibiliteit (of inerteïd) voor algemene doeleinden. Controleer voor blootstelling aan specifieke omgevingen, de chemische compatibiliteitstabellen voorafgaande aan de installatie.
- De gebruiker is verantwoordelijk voor het kiezen van bevestigingsmateriaal en pakkingen die binnen de flensmaat vallen, voldoen aan het bedoelde gebruik en geschikt zijn voor de bedrijfsomstandigheden.

Installatielocatie

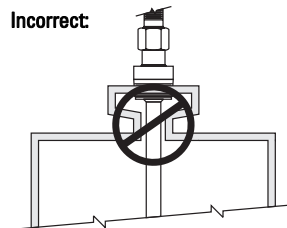
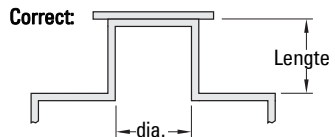
Opmerking: raadpleeg voor volledige montage-instructies voor alle sensorversies de SITRANS LG200 instructiehandleiding.

Aanbevelingen

- Gemakkelijke toegang tot programmering via drukknoppen op het instrument.
- Een omgeving die geschikt is voor de beschermingsklasse en constructiematerialen.

Voorzorgmaatregelen

- Breng geen isolatiemateriaal aan rond enig deel van de SITRANS LG200 transmitter, inclusief de sensorflens, omdat dit kan leiden tot overmatige ophoping van warmte.
- Vermijd nabijheid van hoogspanningsbekabeling, contacten met hoge spanningen of stromen en frequentie-omvormers.
- Voorkom interferentie naar de zendantenne als gevolg van obstructies in de vulstroom.
- Enkele staaf:
 1. Niet monteren in nozzles met een diameter <math>< 50\text{ mm (2")}</math>.
 2. Monteren in toepassingen waar de diameter: lengte 1:1 of groter is. Bij een verhouding kleiner dan 1:1 (bijvoorbeeld een 2"x6" nozzle = 1:3) kan het nodig zijn een onderdrukingsafstand en/of de diëlectrische instelling aan te passen.
 3. Gebruik geen leidingreducerstukken.
 4. Houd geleidende voorwerpen uit de buurt van de sensor, om een juiste prestatie te waarborgen.
- Dubbele staaf:
 1. De actieve staaf moet tenminste op 25 mm (1") afstand van eventuele obstructies worden gemonteerd.
 2. De minimale standpijpdiameter voor de sensor is 76 mm (3").



Algemene sensormontage

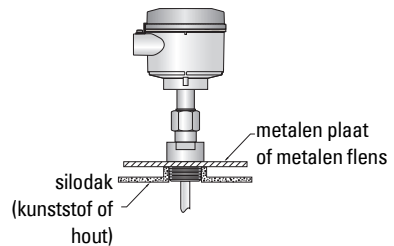
1. Zorg er voor dat de procesaansluiting tenminste ¾" NPT is voor coaxiale sensoren of 2" NPT voor stijve sensoren of een flensmontage.
2. Plaats de sensor voorzichtig in de tank. Lijn de pakking uit op installaties met flens.
3. Lijn de sensorprocesaansluiting uit met de schroefdraad- of flensmontage op de tank.
4. Draai bij schroefdraadaansluitingen de moer van de procesaansluiting aan. Draai bij flensaansluitingen de flensbouten vast.

Installatie op niet metalen silo's.

Voor installatie op tanks met een niet metalen constructie, of eventueel open tanks, is een geschikte bevestigingsplaat nodig voor het optimaliseren van de impedantie van het uitgezonden signaal wanneer het door de sensor gaat. Optimale prestaties kunnen niet worden gegarandeerd wanneer er geen geschikte overgang is bij de procesaansluiting.

Bij toepassing van enkele staaf uitvoeringen (flexibel of vast) en een schroefdraadprocesaansluiting, dan zal een metalen plaat of flens de condities sterk verbeteren, omdat dit een geschikte zendplaat vormt.

Een procesaansluiting met flens wordt algemeen gezien als een goede oplossing hiervoor.



Opmerking: De SITRANS LG200 voldoet aan de CE-vereisten voor elektromagnetische compatibiliteit (EN 61326-1/2006). Enkele en dubbele staaf sensoren moeten worden gebruikt in metalen tanks of standpijpen om te blijven voldoen aan de CE vereisten.

Transmitter (behuizing) installatie

1. Verwijder de kunststof beschermkap van de bovenkant van de sensor. Plaats de kap op een veilige plek voor het geval de transmitter later moet worden verwijderd.
2. Plaats de transmitter op de sensor. Let er op dat u de gouden, hoge frequentie (male) connector niet verbuigt of vuil maakt.
3. Lijn de universele aansluiting van de transmitterbehuizing uit met de bovenkant van de sensor. Draai de verbinding handvast aan
4. Draai de transmitter zo dat deze het handigste is gericht voor bedrading, configuratie en bekijken.
5. Gebruik, wanneer de transmitter in de gewenste richting is gedraaid, een 38 mm (1½") sleutel om de universele aansluiting op de transmitter aan te draaien met 15 ft.-lbs. Een momentsleutel wordt sterk aanbevolen. Dit is een kritische aansluiting. **NIET HANDVAST LATEN.**

Bedrading

Voeding

WAARSCHUWINGEN:



Alle HART uitvoeringen van de SITRANS LG200 transmitter werken op spanningen van 11 tot 36 VDC. Door een hogere spanning raakt de transmitter beschadigd.

Aansluiten SITRANS LG200

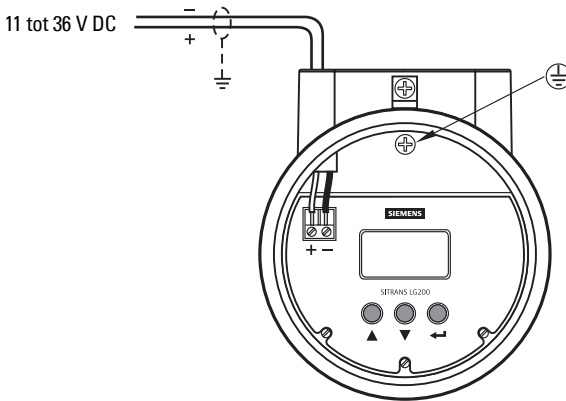
! WAARSCHUWINGEN:

- Controleer het typeplaatje op uw instrument om de toelating te verifiëren.
- Goedgekeurde stofdichte en waterdichte doorvoerafdichtingen zijn vereist voor buitentype 4/NEMA 4, IP65.

Opmerkingen:

- Raadpleeg de uitgebreide gebruikershandleiding voor gedetailleerde instructies omtrent de bedrading.
- Gebruik afgeschermd twisted pair kabel: 0,5 tot 1 mm² (AWG 22 tot 18).
- Er kunnen aparte kabels en doorvoeren ¹ nodig zijn om te voldoen aan de standaard instrumentatie bekabelingsnormen of elektrische regelgeving.

Bedrading



RUN modus en PROGRAM modus

De SITRANS LG200 kent 2 bedieningsmodi: RUN en PROGRAM.

Na het inschakelen, wijzigt het LG200 display elke 2 seconden en geeft dan een van de volgende vier waarden weer: **Status**, **Niveau**, **%uitgang**, en **Iusstroom**. Gebruik in de RUN modus de pijltjestoetsen ▲ ▼ om van het ene naar het andere display te schakelen. Het display kan ook op elk display afzonderlijk worden ingesteld.

In RUN modus, druk op de pijltjestoetsen ▲ ▼ om naar de parameter te bladeren die u wilt bewerken. Druk op Enter ← om naar de PROGRAM modus te schakelen (geeft een uitroepteken weer! als laatste karakter in de bovenste displayregel.)

Druk in de PROGRAM modus, op de pijltjestoetsen ▲ ▼ voor het verhogen of verlagen van de weergegeven waarde en om naar de volgende keuze te gaan. Houd de pijltjestoetsen om snel te bladeren.

¹. Wanneer de kabel door een doorvoer wordt gevoerd, gebruik dan uitsluitend wartels van de goede maat die zijn goedgekeurd, voor een waterdichte toepassing.

Quick start programmering

1. Verwijder het deksel van de elektronica.
2. Gebruik de (▼) pijltoets omlaag om van de ene stap van het configuratieprogramma naar de andere te gaan.
3. Druk op de Enter (←) toets. Het laatste karakter van de eerste regel van het display verandert in een uitroepteken (!).
4. Gebruik de pijltoetsen omhoog of omlaag ▲ ▼ om de waarde in het display te verhogen of te verlagen of om door de keuzes te bladeren.
5. Druk op Enter ← om een waarde te accepteren en naar de volgende stap in het configuratieproces te gaan (de standaard toegangscode is 0).
6. Blader om terug te gaan naar de RUN modus naar de display parameters (*Status*)
7. Wacht na het invoeren van de laatste waarde 10 seconden voordat u de voeding van de transmitter uitschakelt (save functie).

Toegangscodebeveiliging (standaard = 0)

De SITRANS LG200 transmitter is beveiligd met een toegangscode om toegang tot delen van het menu te beperken welke invloed hebben op de werking van het systeem. In de **Program** modus, wanneer de juiste toegangscode is ingevoerd, is een uitroepteken (!) het laatste karakter van de eerste regel op het display. De toegangscode kan worden gewijzigd in elke willekeurige numerieke waarde t/m 255. De toegangscode is nodig om configuratiewaarden te wijzigen.

De standaard gebruikerstoegangscode is 0. Voer een nieuwe toegangscode in in de laatste stap van het configuratiemenu. Met een toegangscode 0, is de transmitter niet langer beveiligd met een toegangscode en kan elke waarde in het menu worden gewijzigd, zonder een toegangscode in te voeren, behalve de diagnosewaarden.

Het instrument blijft onbeschermd gedurende vijf minuten zonder dat een knop wordt ingedrukt en vervolgens wordt de ingesteld toegangscodebeveiliging geactiveerd.

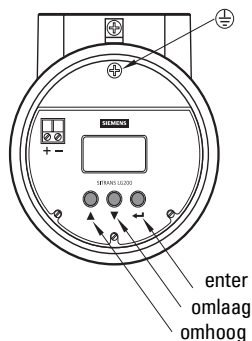
Opmerking: wanneer de gebruikerstoegangscode niet bekend is, toont het menu-item New Password een versleutelde waarde, welke de huidige toegangscode weergeeft. Neem contact op met de fabriek en vermeld deze versleutelde waarde om de actuele toegangscode te bepalen.

Activeren van SITRANS LG200

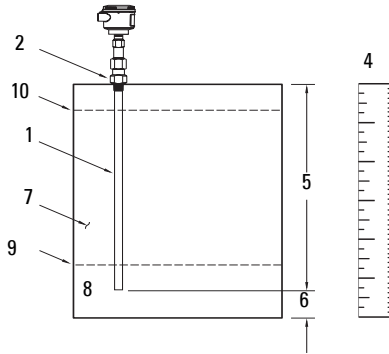
Schakel de LG200 in. Het instrument start in de **RUN** modus en op het display wordt één van de volgende vier read-only waarden elke 2 seconden weergegeven: status, niveau, % uitgang en lusstroom.

Een parameter kiezen

1. Gebruik de **PIJL** toetsen ▲ ▼ om naar een parameter te bladeren die gewijzigd kan worden. Houd de pijltoetsen om snel te bladeren.
2. Druk op **Enter** ← om een parameter te selecteren.
3. Gebruik de **PIJL** toetsen ▲ ▼ om de parameterwaarde te kiezen.
4. Druk op **Enter** ← om een waarde te accepteren en naar de volgende programmeerstap te gaan
5. Het LCD toont de nieuwe parameter en de waarde.



Quick start programmering



1. Sensormodel [zie sensor naamplaatje (7MLxxxx-x) (7xX) voor details]:

2. Sensormontage type NPT, BSP, of flensuitvoering [gebruik artikelnummer voor bepalen van sensormontage type (NPT en BSP verschillen in insteeklengte)]:

3. Meettype (alleen niveau, volume, scheidingslaag, of interface
niveau en volume): _____

4. Niveau-eenheden (inches, centimeters, feet, meters): _____

5. Sensorlengte [vermeld bij modelinformatie, bovenaan sensor
(opmerking Y01 = xxx cm)]: _____

6. Niveau offset (gewenste niveau-aanwijzing wanneer de vloeistof zich aan het uiteinde
van de sensor bevindt): _____

7. Diëlektricum (diëlektrische constante bereik van het procesmedium, diëlektrische
waarde van bovenste laag voor scheidingslaagtoepassingen): _____

8. Loop besturing (Is de uitgangsstrom die bestuurd moet worden door niveau of
volume?): _____

9. Ingesteld op 4.0 mA (wat is het referentiepunt voor de 4.0 mA waarde?): _____

10. Ingesteld op 20 mA (wat is het referentiepunt voor de 20.0 mA waarde?): _____

Snelle Setup: stappen 1 t/m 10

1. Selecteer sensormodel (standaard: 7xA-x)

Waar- den	Selecteer uit:
	7xA-x (7ML1301-1), 7xB-x (7ML1302-1), 7xD-x (7ML1301-2), 7xF-x (7ML1303-1), 7xF-E (7ML1303-1D), 7xF-F (7ML1303-1E), 7xF-4 (7ML1303-1J), 7xF-P (7ML1303-1H), 7xJ-x (7ML1303-2), 7xK-x (7ML1305-1), 7xP-x (7ML1301-3), 7xR-x (7ML1301-4), 7xS-x (7ML1301-5), 7xT-x (7ML1301-6), 7x1-x (7ML1304-1), 7x2-x (7ML1304-2), 7x5-x (7ML1302-2), 7x7-x (7ML1302-3)

2. Selecteer sensor montagetypen (Default: NPT)

Waarden	NPT
	BSP
	Flens

3. Selecteer meettype (Default: alleen Lvl)

Waarden	Lvl	Selecteer meettype.
	Lvl&Vol	
	Ifc	
	Ifc&Vol	

4. Selecteer niveau-eenheden (Default: Inches)

Waarden	cm
	Inches
	Feet
	Meters

5. Selecteer sensorlengte (Default: 120.0 in)

Waarden	Sensor Ln xxx.x. Sensorlengte is weergegeven op het typeplaatje en bestelinformatie (in cm).
---------	--

6. Selecteer Level offset (standaard: 0 in)

Waarden	Bereik: -61 tot 762 cm (-24 tot 300"). Level offset is de afstand van de sensortop tot het gewenste nulpuntniveau. Voer de gewenste meetwaarde in wanneer de sensor droog is.
---------	---

7. Selecteer diëlektrische waarde (default: 10 – 100)

Waarden	1.4 – 1.7	Selecteer het bereik voor de diëlektrische constante van het medium. De LG200 gebruikt deze diëlektrische instelling om de Sensitivity instelling aan te passen. De standaard instelling is sensorafhankelijk (voor de 7ML1301-5 is de instelling vast, 10–100; voor de interfacemodule, alleen 7ML1301-6, kies uit 3–10, 10–100).
	1.7 – 3	
	3 – 10	
	10 – 100	

8. Selecteer lusbesturing (standaard: Lvl)



Waarden	Lvl	Niveau	Selecteer de variabele voor de besturing van de lusstroom.
	Lvl&Vol	Niveau en volume	
	Ifc	Niveau of scheidingslaagniveau	
	Ifc&Vol	Niveau, scheidingslaagniveau, volume scheidingslaagvolume	

9. 4 mA setpoint (standaard: 0.0 in of 0.0 gal)

Waarden	Stel 4 mA xxx.x (Voer PV waarde in voor het 4 mA punt).	Voer het niveau in voor 0% of 4 mA uitgang. Dit kan lager of hoger zijn dan het 20 mA punt. Wanneer 4 mA en 20 mA punten worden ingevoerd met dezelfde waarde, dan geeft de unit 3,8 mA aan wanneer het niveau onder de setpoints is en 20,5 mA wanneer het niveau boven de setpoints is. Een kleine transitiezone [0 tot 15 cm(6")] kan aanwezig zijn aan de boven- of onderkant van de sensor.
---------	---	--

10. 20 mA setpoint (standaard: 120.0 in of 396.3 gal)

Waarden	Stel 20 mA xxx.x (Voer PV waarde in voor het 20 mA punt).	Voer het niveau in voor 100% of 20 mA uitgang. Dit kan lager of hoger zijn dan het 4 mA punt. Wanneer 4 mA en 20 mA punten worden ingevoerd met dezelfde waarde, dan geeft de unit 3,8 mA aan wanneer het niveau onder de setpoints is en 20,5 mA wanneer het niveau boven de setpoints is. Een kleine transitiezone [0 tot 15 cm (6")] kan aanwezig zijn aan de boven- of onderkant van de sensor.
----------------	---	---

Gebruik de **PIJL** toetsen   om terug te keren naar de **RUN** modus: de basisinstelling is afgerond. Blader door om lus weer te geven.

SITRANS LG200 communicatie: HART

- U heeft de uitgebreide handleiding nodig voor de lijst van parameters die van toepassing zijn.
- De HART Device Description (DD) is verkrijgbaar via de HART Communication Foundation, internetadres www.hartcomm.org
- Wij raden het gebruik aan van de Simatic Process Device Manager (PDM) voor het programmeren van uw instrument.

Onderhoud

De SITRANS LG200 vereist geen onderhoud of reiniging onder normale bedrijfsomstandigheden. Wanneer reiniging nodig wordt onder extreme omstandigheden:

1. Houd rekening met het materiaal van de sensor en het procesmedium en kies een reinigingsmiddel dat op beide geen negatieve invloed heeft.
2. Neem het instrument uit bedrijf en veeg de sensor schoon met een doek en een oplossing van een geschikt reinigingsmiddel.

Reparatie van de eenheid en uitsluiting van aansprakelijkheid

Raadpleeg voor gedetailleerde informatie de binnenkant van de achterflap.

Manual de Início Rápido SITRANS LG200

Este manual descreve em linhas gerais as características e funções principais do SITRANS LG200. Aconselhamos categoricamente que você adquira a versão pormenorizada do manual para poder utilizar o máximo potencial de seu instrumento. O manual completo está disponível na página do produto SITRANS LG200 em nosso website: <https://pia.khe.siemens.com/index.asp?Nr=15361>. Quaisquer dúvidas acerca do conteúdo deste manual podem ser dirigidas a:

Siemens Milltronics Process Instruments Inc.
1954 Technology Drive, P.O. Box 4225
Peterborough, Ontário, Canadá, K9J 7B1
E-mail: techpubs.smpi@siemens.com

**Copyright Siemens Milltronics
Process Instruments Inc. 2008.
Todos os direitos reservados**

Exclusão de Responsabilidade

Aconselhamos os usuários a adquirirem manuais autorizados relacionados ou a verem versões eletrônicas conforme projetadas e autenticadas pela Siemens Milltronics Process Instruments Inc. A Siemens Milltronics Process Instruments Inc. não se considera responsável pelo conteúdo de reproduções parciais ou totais de versões relacionadas ou eletrônicas.

Apesar de termos verificado o conteúdo deste manual quanto à conformidade com os instrumentos descritos, este pode ter algumas variações. Dessa forma, não podemos garantir conformidade integral. O conteúdo deste manual é revisto com regularidade, e as correções são incluídas em edições posteriores. Todas as sugestões de aprimoramento são bem-vindas.

Os dados técnicos estão sujeitos a alterações.

MILLTRONICS é uma marca comercial registrada da Siemens Milltronics Process Instruments Inc.

Diretrizes de Segurança

As mensagens de advertência devem ser observadas para garantir sua segurança pessoal bem como a de terceiros e para proteger o produto e o equipamento a ele associado. Essas mensagens de advertência são acompanhadas de um esclarecimento do nível de cautela a ser observado.



ADVERTÊNCIA: refere-se a um símbolo de advertência no produto e significa que o não cumprimento das precauções necessárias pode resultar em morte, ferimentos graves e/ou danos consideráveis ao material.



ADVERTÊNCIA¹: significa que o não cumprimento das precauções necessárias pode resultar em morte, ferimentos graves e/ou danos consideráveis ao material.

Observação: significa informação importante acerca do produto ou dessa parte do manual de operações.

¹ Este símbolo é utilizado quando não existe qualquer símbolo de cautela correspondente no produto.

SITRANS LG200

- ! ADVERTÊNCIA: As alterações ou modificações não aprovadas expressamente pela Siemens Milltronics podem anular a autoridade do usuário de utilizar o equipamento.**

Observações:

- Este equipamento foi testado e considerado em conformidade com os limites para um dispositivo digital da Classe A, de acordo com a Parte 15 das Regras da FCC. Estes limites foram concebidos para proporcionar uma proteção razoável contra interferência nociva quando o equipamento é utilizado em um ambiente comercial.
- Este equipamento gera, utiliza e pode irradiar energia de radiofrequência e, se não for instalado e utilizado de acordo com o manual de instruções, pode causar interferências nocivas nas comunicações via rádio. É provável que o funcionamento deste equipamento em uma área residencial cause interferências nocivas; nesse caso, o usuário precisará corrigir a interferência à sua própria custa.
- O SITRANS LG200 deve ser usado apenas da forma descrita neste manual, caso contrário a proteção fornecida pelo equipamento pode ser prejudicada.
- Este produto foi projetado para uso em áreas industriais. A operação deste equipamento em uma área residencial pode causar interferência em várias comunicações com base em frequência.

O SITRANS LG200 é um transmissor de radar de ondas dirigidas para os níveis de intervalos curtos e médios, nível/interface e medição de volume de líquidos e sólidos. Não é afetado por alterações nas condições do processo, altas temperaturas e pressões, e vapor.

O SITRANS LG200 oferece suporte ao protocolo de comunicação HART¹ e ao software SIMATIC PDM.

Especificações

Para obter uma listagem completa, consulte o Manual de Instruções do SITRANS LG200.

Temperaturas Ambiente/Operacional

- Temperatura ambiente: -40 °C a +80 °C (-40 °F a +175 °F)
- Pressão e temperatura máximas do processo: Tipo de sonda e dependência de pressão; consulte o rótulo de identificação do processo para obter mais detalhes

Alimentação



Finalidades Gerais:

Segurança Intrínseca:

À Prova de Explosão:

11 a 36 V CC

¹. HART® é uma marca comercial registrada da HART Communication Foundation.

Aprovações

Observação: A placa de identificação do dispositivo relaciona as aprovações que se aplicam ao seu dispositivo.

- Finalidade Geral CSA/FM, CE, C-TICK
- Segurança Intrínseca FM Classe I, Div. 1, Grupos A, B, C, D, Classe II, Div. 1, Grupos E, F, G T4, Classe III, Tipo 4, IP65
- CSA Classe I, Div. 1, Grupos A, B, C, D, Classe II, Div. 1, Grupos E, F, G T4, Classe III, Tipo 4, IP65
- ATEX II 1G EEx ia IIC T4
- À prova de Explosão/
À prova de Chamas FM Classe I, Div 1, Grupos B, C, D, Classe II, Div. 1, Grupos E, F, G T4, Classe III, Tipo 4, IP65
- CSA Classe I, Div. 1, Grupos B, C, D, Classe II, Div. 1, Grupos E, F, G T4, Classe III, Tipo 4, IP65
- ATEX II 1/2 G EEx d [ia] IIC T6
- ATEX II 1/2 D IP65 T85 °C
- Não-inflamável FM Classe I, Div. 2, Grupos A, B, C e D, Classe II, Div. 2, Grupos F, G T4, Classe III, Tipo 4 IP65
- CSA Classe I, Div. 2, Grupos A, B, C, D, Classe II, Div. 2, Grupos E, F, G T4, Classe III, Tipo 4, IP65
- Sem formação de faíscas ATEX II 3G EEx nA [nL] IIC T4 a T6
- ATEX II 3G EEx nA II T4 a T6
- Outros Segurança Funcional para SIL 1 em conformidade com IEC 61508
Fração de Falha Segura (SFF) de 85,5% (Análise terceirizada por FMEDA – apenas para hardware)
- Segurança Funcional para SIL 2 em conformidade com IEC 61508
Fração de Falha Segura (SFF) de 91% (Análise terceirizada por FMEDA – apenas para hardware)

Aplicação de Pressão

! ADVERTÊNCIAS:

- **Não** tente soltar, retirar ou desmontar a conexão do processo ou a caixa de instrumentos enquanto o conteúdo do vaso estiver sob pressão.
- Uma instalação incorreta pode resultar na perda de pressão do processo.

Instalação



• ADVERTÊNCIAS:

- Este produto só poderá funcionar de forma correta e segura se for transportado, armazenado, instalado, configurado e utilizado de forma adequada e se a sua manutenção for corretamente efetuada.
- Os materiais de construção são escolhidos com base em suas capacidades químicas (ou inatividade) para finalidades gerais. Para exposição a ambientes específicos, verificar as tabelas de compatibilidade química, antes da instalação.
- O usuário é responsável pela seleção dos materiais de aparafusamento e juntas que estejam dentro dos limites do flange e da sua utilização pretendida e que sejam adequados às condições de serviço.

Local de montagem

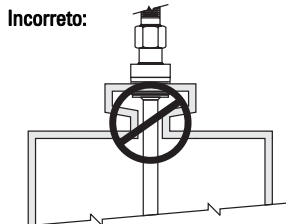
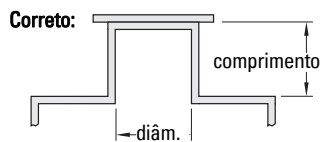
Observação: Para obter instruções completas de montagem para todas as versões de sonda, consulte o Manual de Instruções do SITRANS LG200.

Recomendações

- Fácil acesso para programação por meio das teclas de comando do dispositivo.
- Um ambiente adequado para a classificação de fechamento e materiais de construção.

Precauções

- Não colocar material isolante ao redor de nenhuma parte do transmissor SITRANS LG200, incluindo o flange da sonda, pois isso pode provocar o acúmulo excessivo de calor.
- Evitar proximidade de instalações elétricas de alta tensão ou com corrente, contatos de alta tensão ou com corrente, e de controladores de velocidade de motor de frequência variável.
- Evitar interferências no cone de emissão provenientes de obstruções ou do percurso de enchimento.
- Haste Única:
 1. Não montar em bocais <math>< 50\text{ mm}</math> (2") de diâmetro.
 2. Montar em aplicativos onde a proporção do diâmetro seja: comprimento 1:1 ou superior. Qualquer proporção inferior a 1:1 (por exemplo, um bocal de 2"x6" = 1:3) pode exigir uma distância de travamento e/ou ajuste dielétrico.
 3. Não usar redutores de tubos.
 4. Manter objetos condutores longe da sonda para assegurar o desempenho adequado.
- Haste dupla:
 1. A haste ativa deve ser montada a uma distância mínima 25 mm (1") longe de qualquer obstrução.
 2. O diâmetro mínimo de "stillwell" ou do bocal da sonda é 76 mm (3").



Suporte geral da sonda

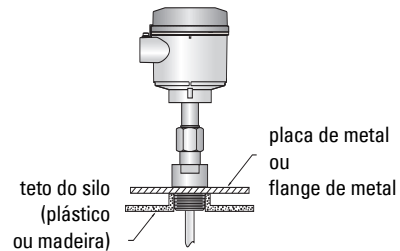
1. Assegure-se de que a conexão do processo seja, no mínimo, 3/4" NPT para sondas coaxiais ou 2" NPT para sondas rígidas ou seja um suporte flangeado.
2. Coloque com cuidado a sonda no vaso. Alinhe a gaxeta nas instalações flangeadas.
3. Alinhe a conexão do processo de sonda com o suporte roscado ou flangeado no vaso.
4. Para conexões roscadas, aperte a porca sextavada na conexão do processo de sonda. Para conexões flangeadas, aperte os parafusos do flange.

Instalação em silos não metálicos

Para instalação em vasos de construção não-metálica ou possivelmente vasos abertos, uma placa de lançamento adequado é necessária para otimizar a impedância do sinal transmitido à medida que ele atravessa a sonda. Não se pode garantir um desempenho ideal se não estiver disponível uma transição adequada na conexão do processo.

Ao utilizar as versões de haste única (flexíveis ou sólidas) e uma conexão por processo roscado, uma lâmina de metal ou flange aumentará consideravelmente as condições, pois isso fornece uma placa de lançamento adequado.

Geralmente, uma conexão por processo flangeado é aceita como fornecimento desta placa de lançamento.



Observação: O SITRANS LG200 atende às exigências da CE de Compatibilidade Eletromagnética (EN 61326-1/2006). As Sondas Simples e Duplas devem ser utilizadas em vasos metálicos e poços de destilação para manter a conformidade com a CE.

Instalação (da caixa) do transmissor

1. Remova a tampa plástica protetora da parte superior da sonda. Coloque a tampa em lugar seguro caso seja necessário remover o transmissor posteriormente.
2. Coloque o transmissor na sonda. Cuidado para não dobrar ou sujar o conector dourado (macho) de alta frequência.
3. Alinhe a conexão universal na base da caixa do transmissor com a parte superior da sonda. Aperte manualmente a conexão.
4. Gire o transmissor de modo que fique de frente para direção mais conveniente para a instalação elétrica, configuração e visualização.
5. Quando o transmissor estiver de frente para a direção desejada, utilize uma chave de 38 mm (1 1/2") para apertar a conexão universal no transmissor para 15 pés-libras. Recomenda-se enfaticamente utilizar uma chave de torque. Esta é uma conexão muito importante. **NÃO APERTE APENAS MANUALMENTE.**

Instalação Elétrica

Alimentação

ADVERTÊNCIAS



Todas as versões HART do transmissor SITRANS LG200 operam em voltagens de 11 a 36 V DC. Voltagens superiores danificam o transmissor.

Conexão do SITRANS LG200

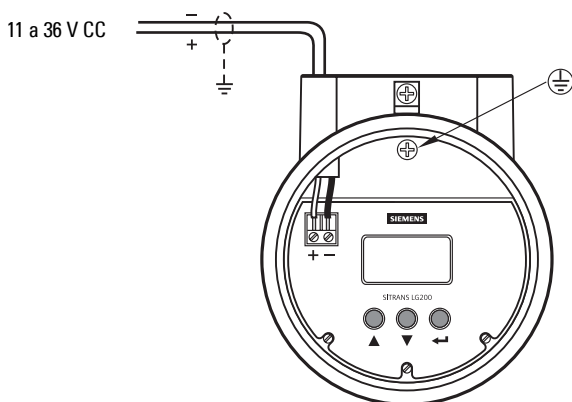
! ADVERTÊNCIAS:

- Examinar a placa de identificação do instrumento, para verificar a classificação nominal.
- Os selos de conduíte impermeável a pó e água aprovados são obrigatórios para o Tipo 4/ NEMA 4, IP65 externo.

Observações:

- Para obter instruções detalhadas sobre as ligações elétricas, consulte o manual de instruções completo.
- Utilize cabo de par trançado com blindagem: 0,5 a 1 mm² (AWG 22 a 18).
- Poderão ser necessários cabos e conduítes separados¹ por uma questão de conformidade com as práticas normalizadas de ligação de instrumentação ou códigos elétricos.

Instalação Elétrica



Modo RUN e PROGRAM

O SITRANS LG200 tem dois modos de funcionamento: RUN e PROGRAM.

Após ligar, a tela do LG200 muda a cada 2 segundos e exibe um dos quatro valores seguintes: **Status**, **Nível**, **% de Produção** e **Corrente de Circuito**. No modo RUN, use as teclas de direção

▲ ▼ para mudar de uma tela para outra. A tela também pode ser configurada para cada tela individualmente.

No modo RUN, pressione as teclas ▲ ▼ para utilizar a rolagem até o parâmetro que gostaria de editar. Pressione Enter ◀ para ativar o modo PROGRAM (Programa) (exibido como um ponto de exclamação (!) como último caractere da linha de exibição superior.)

No modo PROGRAM, pressione as teclas de direção ▲ ▼ para aumentar ou diminuir o valor exibido e mover para a opção seguinte. Pressione as teclas de direção para mover-se rapidamente.

¹. Se o cabo for roteado por conduíte, utilize apenas cubos de tamanho adequado e aprovados para aplicação à prova de água.

Programação do início rápido

1. Remova a tampa do aparelho eletrônico.
2. Utilize a tecla de direção Para baixo (▼) para ir de uma etapa do programa de configuração para a seguinte.
3. Pressione a tecla Enter (↵). O último caractere da primeira linha da tela é alterado para um ponto de exclamação (!).
4. Utilize as teclas de direção Para cima ou Para baixo ▲ ▼ para aumentar ou diminuir o valor na tela ou utilizar a barra de rolagem nas opções.
5. Pressione Enter ↵ para aceitar um valor e mover-se para a etapa seguinte do processo de configuração (a senha padrão é 0).
6. Para retornar ao modo RUN, vá até os parâmetros de tela (*Status*)
7. Após digitar o último valor, aguarde 10 segundos antes de retirar a energia do transmissor (função Salvar).

Proteção de senha (Padrão = 0)

O transmissor SITRANS LG200 é protegido por senha a fim de restringir o acesso a partes da estrutura de menus que afetem o funcionamento do sistema. No modo **Program**, quando se digita a senha correta, um ponto de exclamação (!) é o último caractere da primeira linha da tela. A senha pode ser alterada para qualquer valor numérico até 255. Entretanto, a senha é obrigatória sempre que os valores da configuração forem alterados.

A senha de fábrica padrão do usuário é 0. Insira uma nova senha na última etapa do menu de configuração. Com uma senha de 0, o transmissor não é mais protegido por senha e qualquer valor no menu pode ser alterado sem digitar uma senha de confirmação, exceto valores de diagnóstico.

O dispositivo permanece desprotegido durante cinco minutos sem que um botão seja pressionado e, então, aplica-se a configuração de proteção de senha.

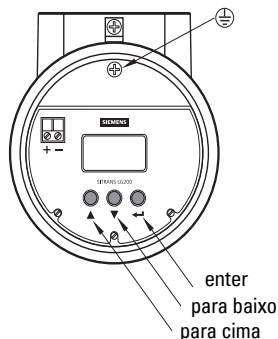
OBSERVAÇÃO: Caso não se conheça a senha do usuário, o item de menu Nova Senha exibe um valor criptografado que representa a senha atual. Contate o fabricante com esse valor criptografado para determinar a senha atual.

Ativação do SITRANS LG200

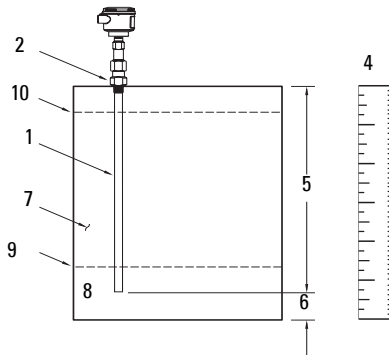
Ligar o LG200. Caso se inicie no modo **RUN** e a tela exibir um dos quatros valores somente leitura a cada 2 segundos: Status, Nível, % de Saída e Corrente de Circuito.

Acesso a um parâmetro

1. Utilize as teclas de **DIREÇÃO** ▲ ▼ para percorrer um parâmetro editável. Pressione as teclas de direção para mover-se rapidamente.
2. Pressione **Enter** ↵ para selecionar um parâmetro.
3. Utilize as teclas de direção (**SETAS**) ▲ ▼ para escolher o valor do parâmetro.
4. Pressione **Enter** ↵ para aceitar um valor e movimentar-se para a etapa seguinte da programação.
5. O LCD exibe o novo parâmetro e o novo valor.



Programação de início rápido



1. Modelo da Sonda [Consulte a Identificação da Sonda (7MLxxxx-x) (7xX) para obter mais detalhes]: _____
2. Tipo de Montagem de Sonda NPT, BSP ou flangeada [utilize o número da peça para determinar o Tipo de Montagem da Sonda (o tamanho de inserção é diferente para NPT e BSP)]: _____
3. Tipo de Medição (apenas para nível, volume, nível de interface ou interface nível e volume): _____
4. Unidades de Nível (polegadas, centímetros, pés, metros): _____
5. Tamanho da Sonda [relacionada nas informações de modelo na parte superior da sonda (Observação Y01 = xxx cm)]: _____
6. Compensação de Nível (Leitura de nível desejado quando o líquido está no final da sonda): _____
7. Dielétrica (Intervalo da constante dielétrica do meio do processo, dielétrica da camada superior para as aplicações de interface): _____
8. Controle de Ciclo (É a corrente de produção a ser controlada pelo nível ou volume?): _____
9. Ajuste para 4,0 mA (Qual é o ponto de referência para o valor 4,0 mA?): _____
10. Ajuste para 20 mA (Qual é o ponto de referência para o valor 20,0 mA?): _____

Configuração Rápida: etapas de 1 a 10

1. Selecione o modelo de Sonda (Padrão: 7xA-x)

Valores	Selecione a partir de:
	7xA-x (7ML1301-1), 7xB-x (7ML1302-1), 7xD-x (7ML1301-2), 7xF-x (7ML1303-1), 7xF-E (7ML1303-1D), 7xF-F (7ML1303-1E), 7xF-4 (7ML1303-1J), 7xF-P (7ML1303-1H), 7xJ-x (7ML1303-2), 7xK-x (7ML1305-1), 7xP-x (7ML1301-3), 7xR-x (7ML1301-4), 7xS-x (7ML1301-5), 7xT-x (7ML1301-6), 7x1-x (7ML1304-1), 7x2-x (7ML1304-2), 7x5-x (7ML1302-2), 7x7-x (7ML1302-3)

2. Selecione o tipo de suporte de Sonda (Padrão: NPT)

Valores	NPT
	BSP
	Flange

3. Selecione o tipo de Medida (Padrão: Apenas Lvl)

Valores	Lvl	Selecione o tipo de medida.
	Lvl&Vol	
	Ifc	
	Ifc&Vol	

4. Selecione as unidades do Nível (Padrão: Polegadas)

Valores	cm
	inches (polegadas)
	feet (pés)
	meters (metros)

5. Selecione o comprimento da Sonda (Padrão: 120,0 pol.)

Valores	Probe Ln xxx.x (Sonda Ln xxx.x). O comprimento da sonda é impresso na placa de identificação e nas informações do pedido (em cm).
---------	---

6. Selecione o deslocamento de Nível (Padrão: 0 pol.)

Valores	Intervalo: -61 a 762 cm (-24 a 300"). O deslocamento de nível é a distância entre a extremidade da sonda e o ponto de nível zero desejado. Insira a leitura desejada quando a sonda estiver seca.
---------	---

7. Selecione o Dielétrico (Padrão: 10 – 100)

Valores	1.4 – 1.7	Selecione o intervalo de restrição da constante dielétrica do meio. O LG200 utiliza a configuração dielétrica para ajustar a configuração de Sensibilidade. A configuração padrão depende da sonda (para 7ML1301-5, a configuração é fixada de 10 a 100; para o módulo de interface, apenas 7ML1301-6, selecione entre 3 a 10, 10 a 100).
	1.7 – 3	
	3 – 10	
	10 – 100	

8. Selecione o controle de Circuito (Padrão: Lvl)

Valores	Lvl	Nível	Selecione a variável para controlar a corrente de circuito.
	Lvl&Vol	Nível e Volume	
	Ifc	Nível ou nível de Interface	
	Ifc&Vol	Nível, nível de Interface, Volume, volume de Interface	

9. Ponto de configuração de 4 mA (Padrão: 0,0 pol. ou 0,0 gal.)

Valores	Set 4 mA xxx.x (Defina 4 mA xxx.x) (Insira o valor PV para o ponto 4 mA).	Insira o nível para 0% ou a saída de 4 mA. Pode ser inferior ou superior ao ponto 20 mA. Se forem digitados pontos de 4 mA e 20 mA com o mesmo valor, a unidade lerá 3,8 mA quando o nível estiver abaixo dos pontos de ajuste, e 20,5 mA quando o nível estiver acima dos pontos de ajuste. Talvez haja uma pequena zona de transição [de 0 a 15 cm (6")] na parte superior ou inferior da sonda.
---------	---	--

10. Ponto de configuração de 20 mA (Padrão: 120,0 pol. ou 396,3 gal.)

Valores	Set 20 mA xxx.x (Defina 20 mA xxx.x) (Insira o valor PV para o ponto 20 mA).	Insira o nível para 100% ou a saída de 20 mA. Pode ser inferior ou superior ao ponto 4 mA. Se forem digitados pontos de 4 mA e 20 mA com o mesmo valor, a unidade lerá 3,8 mA quando o nível estiver abaixo dos pontos de ajuste, e 20,5 mA quando o nível estiver acima dos pontos de ajuste. Talvez haja uma pequena zona de transição [de 0 a 15 cm (6")] na parte superior ou inferior da sonda.
----------------	---	---

Utilize as teclas de direção (**SETAS**) ▲ ▼ para retornar ao modo **RUN**: a configuração básica está completa. Mova-se para o circuito de tela.

Comunicações do SITRANS LG200: HART

- Você precisará do manual completo para obter a lista dos parâmetros aplicáveis.
- Você pode obter o HART Device Descriptor (DD) da HART Communication Foundation em www.hartcomm.org
- Recomendamos que utilize o Gerenciador de Dispositivo de Processo SIMATIC (PDM) para programar seu instrumento.

Manutenção

O SITRANS LG200 não necessita de manutenção ou limpeza em condições de funcionamento normais. Se for necessário fazer uma limpeza em condições de funcionamento difíceis:

1. Tome nota do material da sonda e do meio de processo, e selecione uma solução de limpeza que não reaja de forma adversa com ambos.
2. Retire o instrumento de operação e limpe a sonda utilizando um pano e uma solução de limpeza adequada.

Reparação da Unidade e Exclusões de Responsabilidade

Para obter informações detalhadas, consulte a contracapa interna.

SITRANS LG200 – Pikakäyttöopas

Tämä opas kertoo SITRANS LG200:n ominaisuuksista ja toiminnoista. On erittäin suositeltavaa tutustua myös oppaan laajaan versioon, jossa laitteen ominaisuudet on selvitetty yksityiskohtaisesti. Täydellinen opas löytyy SITRANS LG200 -tuotesivulta verkkosivuiltamme osoitteesta: <https://pia.khe.siemens.com/index.asp?Nr=15361>. Tämän oppaan sisältöä koskevia asioita voi tiedustella osoitteesta:

Siemens Milltronics Process Instruments Inc.
1954 Technology Drive, P.O. Box 4225
Peterborough, Ontario, Canada, K9J 7B1
Sähköposti: techpubs.smpi@siemens.com

**Copyright Siemens Milltronics
Process Instruments Inc. 2008.
Kaikki oikeudet pidätetään**

Vastuuvapauslauseke

Kehotamme käyttäjiä hankkimaan oppaan hyväksytyyn painetun laitoksen tai tutustumaan Siemens Milltronics Process Instruments Inc:n laatimaan ja hyväksymään sähköiseen versioon. Siemens Milltronics Process Instruments ei vastaa osittain tai kokonaan kopioitujen painettujen tai sähköisten versioiden sisällöstä.

Tämän oppaan sisältö on tarkistettu vastaamaan kuvattua laitteistoa, mutta muutokset ovat mahdollisia. Tämän vuoksi valmistaja ei voi taata täydellistä yhtäpitävyyttä. Tämän oppaan sisältöä tarkistetaan säännöllisesti ja korjaukset sisällytetään seuraaviin painoksiin. Otamme parannusehdotuksia mielellämme vastaan.

Teknisiin tietoihin saattaa tulla muutoksia.

MILLTRONICS on Siemens Milltronics Process Instruments Inc:n rekisteröity tavaramerkki.

Turvaohjeet

Annettuja varoituksia on noudatettava käyttäjään ja muihin henkilöihin kohdistuvien henkilövahinkojen sekä tuotteen ja siihen kytkettyjen varusteiden laitevahinkojen välttämiseksi. Varoitusten yhteydessä ilmoitetaan myös vaaratasosta.



VAROITUS: Varoitus liittyy tuotteen varoitussymboliin. Varoituksen huomiotta jättäminen saattaa aiheuttaa hengenvaaran, vakavia ruumiinvammoja ja merkittäviä aineellisia vahinkoja.



VAROITUS¹: Varoituksen huomiotta jättäminen saattaa aiheuttaa hengenvaaran, vakavia ruumiinvammoja ja merkittäviä aineellisia vahinkoja.

Huomautus: Huomautuksissa on tärkeitä tuotteeseen tai käyttöoppaaseen liittyviä tietoja.

¹ Tätä merkkiä käytetään, kun tuotteessa ei ole vastaavaa varoitussymbolia.

SITRANS LG200

- ! VAROITUS: Laitteeseen tehdyt muutokset ja muokkaukset, joita Siemens ei ole erikseen hyväksynyt, saattavat vaikuttaa laitteen käyttöoikeuksiin.**

Huomautukset:

- Tämä laite on FCC-sääntöjen kohdan 15 mukaisten luokan A digitaalilaitteiden vaatimusten mukainen. Nämä vaatimukset on määritetty niin, että ne suojaavat laitteen haitallisilta häiriöiltä käytettäessä laitetta kaupallisessa ympäristössä.
- Tämä laite säteilee ja käyttää radiotaajuusenergiaa. Tämä saattaa häiritä radiolähetysten vastaanottoa, jos laitetta ei asenneta ja käytetä käyttöoppaan ohjeiden mukaan. Laitteen käyttäminen asuinalueilla saattaa aiheuttaa häiriöitä. Käyttäjä vastaa itse tällaisten häiriöiden korjaamisesta.
- SITRANS LG200 -laitetta saa käyttää ainoastaan tässä oppaassa kuvatulla tavalla, muussa tapauksessa laiteturvallisuus saattaa heikentyä.
- Tämä tuote on suunniteltu käytettäväksi teollisuusalueilla. Laitteen käyttäminen asuinalueilla saattaa aiheuttaa häiriöitä erilaiseen radiotaajuuksia käyttävään viestintään.

SITRANS LG200 on ohjattuun aaltoon perustuva tutkalaite, joka on tarkoitettu nesteiden ja kiintoaineiden pinnan tason tai rajapinnan seurantaan ja tilavuuden mittaamiseen lyhyellä ja keskipitkällä mitta-alueella. Prosessiolosuhteiden muutokset, korkea lämpötila ja paine tai höyry eivät vaikuta mittaustulokseen.

SITRANS LG200 tukee HART¹-viestintäprotokollaa ja SIMATIC PDM -ohjelmistoa.

Tekniset tiedot

Täydellinen erittely löytyy SITRANS LG200 -laitteen käyttöoppaasta.

Ympäristön lämpötila/käyttölämpötila

- Ympäristön lämpötila: -40... +80°C (-4...+175°F)
- Suurin prosessilämpötila ja -paine: riippuvainen mittapäästä ja paineesta; katso tiedot prosessikilvestä

Virta



Yleiskäyttö:

Luonnostaan vaaraton:

Räjähdyssuojattu:

11–36 V:n tasavirta

¹. HART® on HART Communications Foundationin rekisteröity tavaramerkki.

Hyväksynät

Huomautus: Laitteen nimikilvessä on lueteltu kyseiselle laitteelle myönnetyt hyväksynät.

- Yleiskäyttö CSA/FM, CE, C-TICK
- Luonnostaan vaaraton FM-luokka I, jako 1, ryhmät A, B, C, D, luokka II, jako 1, ryhmät E, F, G T4, luokka III, tyyppi 4, IP65
- CSA luokka I, jako 1, ryhmät A, B, C, D, luokka II, jako 1, ryhmät E, F, G T4, luokka III, tyyppi 4, IP65
- ATEX II 1G EEx ia IIC T4
- Räjähdyssuojattu/
Palosuojattu FM-luokka I, jako 1, ryhmät B, C, D, luokka II, jako 1, Ryhmät E, F, G T4, luokka III, tyyppi 4, IP65
- CSA-luokka I, jako 1, ryhmät B, C, D, luokka II, jako 1, ryhmät E, F, G T4, luokka III, tyyppi 4, IP65
- ATEX II 1/2 G EEx d [ia] IIC T6
- ATEX II 1/2 D IP65 T85 °C
- Sytyttämätön FM-luokka I, jako 2, ryhmät A, B, C ja D, luokka II, jako 2, ryhmät F, G T4, luokka III, tyyppi 4 IP65
- CSA-luokka I, jako 2, ryhmät A, B, C, D, luokka II, jako 2, ryhmät E, F, G T4, luokka III, tyyppi 4, IP65
- Kipinöimätön ATEX II 3G EEx nA [nL] IIC T4–T6
- ATEX II 3G EEx nA II T4–T6
- Muut Toiminnallisen turvallisuuden eheytaso SIL 1 standardin IEC 61508 mukaisesti
Turvallinen vikaantumistaajuus (SFF) on 85,5 %
(ulkupoolisen tahon suorittama vika- ja vaikutusanalyysi (FMEDA) – vain laitteistolle)
- Toiminnallisen turvallisuuden eheytaso SIL 2 standardin IEC 61508 mukaisesti
Turvallinen vikaantumistaajuus (SFF) on 91%
(ulkupoolisen tahon suorittama vika- ja vaikutusanalyysi (FMEDA) – vain laitteistolle)

Painesovellukset

! VAROITUKSET:

- **Älä** yritä irrottaa, poistaa tai purkaa prosessiliitäntää tai mittarikoteloä säiliön ollessa paineistettuna.
- Virheellinen asennus saattaa aiheuttaa prosessipaineen häviämisen.

Asennus



- **VAROITUKSET:**
- Tämä tuote toimii asianmukaisesti ja turvallisesti ainoastaan, jos kuljetuksen, varastoinnin, asennuksen, säädön, käytön ja huollon yhteydessä toimitaan asianmukaisesti.
- Rakenneaineet valitaan yleisiin käyttötarkoituksiin niiden kemiallisen yhteensopivuuden (eli reagoimattomuuden) perusteella. Erityisympäristöille altistuvissa sovelluksissa kemiallinen yhteensopivuus on tarkistettava taulukoista ennen asennusta.
- Käyttäjä vastaa laipan kiinnitys- ja tiivistämateriaaleista, käytettävästä ja huoltokelpoisuudesta.

Asennuspaikka

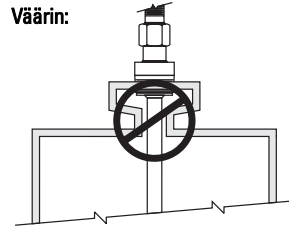
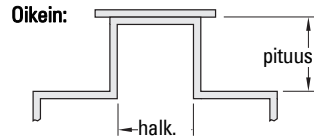
Huomautus: Katso SITRANS LG200 -käyttöoppaan laajasta versiosta täydelliset asennusohjeet eri mittapäille.

Suosituks

- Sopivassa asennuspaikassa laitteen voi ohjelmoida helposti sen omilla painikkeilla.
- Asennuspaikan on oltava laitteen kotelon luokituksen ja materiaalien mukainen.

Varotoimet

- Älä sijoita eristäviä materiaaleja minkään SITRANS LG200 -laitteen osan – myöskään mittapään laipan – ympärille, koska eristeet voivat aiheuttaa laitteen ylikuumentumisen.
- Vältä sijoittamista korkeajännitteisten ja -virtaisten johtojen ja liittimien sekä vaihtuvataajuisten moottorien nopeudenohjainten lähelle.
- Vältä esteiden tai asennusaukon aiheuttamia häiriöitä havaintoalueelle.
- Yksi sauva:
 1. Älä asenna säteilyaukkoihin, joiden läpimitta on <math>< 50\text{ mm}</math> (2").
 2. Asenna käyttökohteisiin, joissa läpimitan ja pituuden välinen suhde on 1:1 tai suurempi. Jos suhde on pienempi kuin 1:1 (esim. 2" x 6" säteilyaukko = 1:3), voidaan joutua käyttämään estoetäisyyttä ja/tai säätämään eristevakiota.
 3. Älä käytä putkikartioita.
 4. Pidä johtavat esineet kaukana mittapästä, jotta laite toimii moitteettomasti.
- Kaksoissauva:
 1. Aktiivinen sauva on asennettava vähintään 25 mm:n (1") päähän kaikista esteistä.
 2. Mittapään pienin mittarikaivon syvyys ja säteilyaukon läpimitta on 76 mm (3").



Mittapään asennus yleissovelluksissa

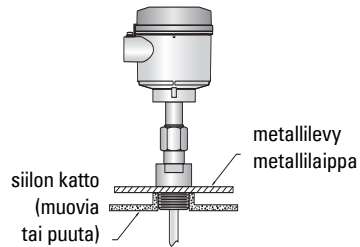
1. Varmista, että prosessiliitännässä käytetään vähintään ¾":n NPT-kierrettä koaksiaalisten mittauspäiden yhteydessä tai 2":n NPT-kierrettä jäykkien mittapäiden yhteydessä tai että kyseessä on laippa-asennus.
2. Aseta mittapää varovasti säiliöön. Kohdista tiiviste paikalleen laippa-asennuksissa.
3. Kohdista mittapään prosessiliitäntä säiliön kierre- tai laippa-asennukseen nähden.
4. Kiristä kierrelitännässä mittapään prosessiliitännän kuusiomutteri. Kiristä laippaliitännässä laipan pultit.

Asennus metallittomiin siiloihin

Asennettaessa laite muusta materiaalista kuin metallista valmistettuun tai esimerkiksi avoimeen säiliöön tarvitaan sopiva asennuslevy, jonka avulla optimoidaan lähetetyn signaalin impedanssi sen kulkiessa mittapään suuntaisesti. Emme takaa laitteen optimaalista toimintaa, jos prosessiliitännässä ei ole sopivaa sovitetta.

Yksisauvaisia versioita (joustavia tai kiinteitä) ja kierteitettyä prosessiliitäntää käytettäessä metallinen levy tai laippa parantaa huomattavasti toimintaolosuhteita, koska se toimii sopivana asennuslevynä.

Laippalisen prosessiliitännän katsotaan yleisesti vastaavan tällaista asennuslevyä.



Huomautus: SITRANS LG200 täyttää EY:n sähkömagneettista yhteensopivuutta koskevat vaatimukset (EN 61326-1/2006). Yksi- ja kaksisauvaisia mittapäitä on käytettävä metallisissa astioissa tai mittarikaivossa, jotta EY:n vaatimustenmukaisuus säilyy.

Lähettimen (kotelon) asennus

1. Poista muovisuojat mittapään yläpäästä. Varastoi suoja varmaan paikkaan siltä varalta, että lähetin joudutaan myöhemmin irrottamaan.
2. Aseta lähetin mittapäähän. Varo, ettet vahingossa väännä tai likaa kultaista suurtaajuusliitäntä (uroslitintä).
3. Kohdista lähettimen kotelon pohjassa oleva yleisliitäntä mittapään yläpäähän. Kiristä liitäntä käsin.
4. Kierrä lähetintä, kunnes se on kytkennän, määritysten asettamisen ja luennan kannalta parhaassa asennossa.
5. Kun lähetin on halutussa asennossa, kiristä lähettimen yleisliitäntä 38 mm:n (1½") avaimella kiristystiukkuuteen 15 ft-lbs. Momenttiavaimen käyttö on erittäin suositeltavaa. Tämä on kriittinen liitäntä. **ÄLÄ JÄTÄ SITÄ PELKÄN KÄSINKIRISTYKSEN VARAAN.**

Johdotus

Virta

VAROITUKSET:



Kaikki SITRANS LG200-lähettimien HART-versiot toimivat 11 – 36 V :n tasajännitteillä. Tätä suurempi jännite rikkoo lähettimen.

SITRANS LG200 -laitteen kytkeminen

! VAROITUKSET:

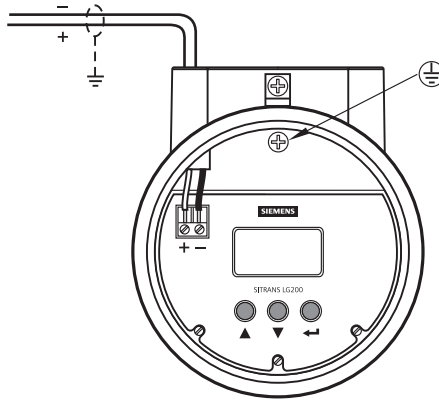
- Tarkista laitteen kilvestä hyväksyntäluokitus.
- Tyyppi 4 / NEMA 4, IP65 -ulkosovelluksissa on käytettävä hyväksytyjä pöly- ja vesitiiviitä johdintivisteitä..

Huomautukset:

- Katso täydelliset kytkentäohjeet käyttöoppaan laajasta versiosta.
- Käytä suojattuja kierrettyjä parikaapeleita: 0,5–1 mm² (AWG 22–18).
- Standardien tai sähköasetusten mukaiseen johdotukseen saatetaan tarvita erilliset kaapelit ja johtimet¹.

Johdotus

11–36 V:n tasavirta



RUN- ja PROGRAM-tilat

SITRANS LG200:ssa on kaksi toimintatilaa: RUN ja PROGRAM.

Virran kytkennän jälkeen LG200:n näyttö vaihtuu 2 sekunnin välein. Näyttöön tulee kerrallaan yksi seuraavista neljästä arvosta: **Status (Tila)**, **Level (Taso)**; **%Output (%Ulostulo)** ja **Loop Current (Silmukavirta)**. RUN-tilassa näyttö muuttuu toiseksi nuolinäppäimillä ▲ ▼. Näyttöön voidaan lisäksi määrittää kukin näyttö erikseen.

Siirry parametriin, jota haluat muokata, painamalla RUN-käyttötilassa nuolinäppäimiä ▲ ▼. Painamalla ← laite siirtyy PROGRAM-ohjelmointitilaan (näytön ylärivin viimeisenä merkinä näkyy huutomerkki !).

PROGRAM-ohjelmointitilassa voit suurentaa tai pienentää näytössä näkyvää arvoa nuolinäppäimillä ▲ ▼ ja siirtyä seuraavaan kohtaan. Pidä nuolinäppäimiä pohjassa, niin arvot vierivät nopeammin.

¹ Jos vedät kaapelin johtimen kautta, käytä vain hyväksytyjä ja sopivankokoisia vedenkestäviä keskiöitä.

Pikaohjelmointi

1. Irrota elektroniikkaosien suojakansi.
2. Määritysohjelman seuraavaan vaiheeseen siirrytään nuoli alas (▼) -näppäimellä.
3. Paina Enter (↵) -näppäintä. Näytön ensimmäisen rivin viimeisenä merkinä on nyt huutomerkki (!).
4. Suurena tai pienennä näytössä näkyvää arvoa nuolinäppäimillä ylös tai alas ▲ ▼ tai vieritä näyttöön eri valintoja.
5. Hyväksy arvo ja siirry määritysprosessin seuraavaan vaiheeseen painamalla Enter (↵) (oletussalasana on 0).
6. Voit palata RUN-käyttötilaan vierittämällä näytön parametreihin (**Status* (Tila))
7. Kun olet syöttänyt viimeisen arvon, odota 10 sekuntia, ennen kuin sammutat virran lähettimestä (tallennustoiminto).

Salasanasuojaus (oletus = 0)

SITRANS LG200 -laite on suojattu salasanalla, jotta asiattomat eivät pääse käsiksi järjestelmän toimintaan vaikuttaviin valikkorakenteisiin. Kun laite on **Program**-ohjelmointitilassa, oikean salasanan syöttämisen jälkeen näytön ensimmäisen rivin viimeisenä merkinä näkyy huutomerkki (!). Salasanaksi voidaan määrittää mikä tahansa luku mutta enintään 255. Salasanaa tarvitaan aina määritysten arvojen muuttamiseen.

Tehtaan oletusasetusten mukainen käyttäjän salasana on 0. Uusi salasana voidaan määrittää määritysvalikon viimeisessä kohdassa. Kun salasanana on 0, lähettimessä ei ole salanasuojausta, jolloin kaikkia valikon arvoja – paitsi vianmäärittysarvoja – voidaan muuttaa antamatta salasanaa.

Laite pysyy suojaamattomana viiden minuutin ajan, jollei mitään painiketta paineta, ja sen jälkeen se on suojattu salasanalla.

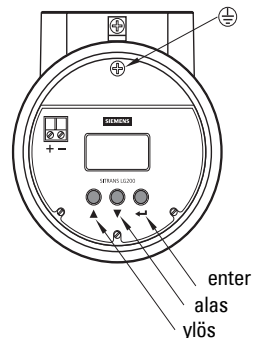
Huomautus: Jos käyttäjän salasana ei ole tiedossasi, New Password (Uusi salasana) -näytössä näkyy koodattu arvo, joka vastaa nykyistä salasanaa. Saat selville laitteen nykyisen salasanan soittamalla tehtaalle ja ilmoittamalla kyseisen koodatun arvon.

SITRANS LG200 -laitteen aktivoiminen

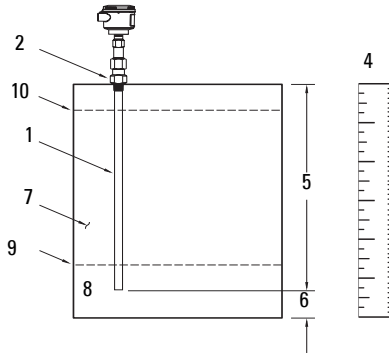
Kytke LG200-laitteeseen virta. Se käynnistyy **RUN**-käyttötilaan ja näytössä näkyy yksi seuraavista neljästä pelkästään luettavista arvoista 2 sekuntia kerrallaan: Status (Tila), Level (Pinnan korkeus), %Output (Lähtö-%) ja Loop Current (Silmukkavirta).

Parametrin haku

1. Siirry muokattavaan parametriin nuolinäppäimillä ▲ ▼ . Pidä nuolinäppäimiä pohjassa, niin arvot vierivät nopeammin.
2. Valitse parametri painamalla Enter (↵).
3. Valitse parametrin arvo **NUOLINÄPPÄIMILLÄ** ▲ ▼ .
4. Hyväksy arvo ja siirry seuraavaan ohjelmointivaiheeseen painamalla Enter (↵)
5. Nestekidenäyttöön tulee uusi parametri ja arvo.



Pikakäyttöohjelmointi



1. Mittapään malli [katso lisätiedot mittapään tuotekilvestä (7MLxxxx-x) (7X)]:

2. Mittapään asennustyyppi NPT, BSP tai laipallinen [määritä mittapään asennustyyppi osanumeron avulla (NPT ja BSP poikkeavat upotuspituudeltaan)]: _____

3. Mittaustyyppi (vain taso, tilavuus, rajapinta-taso tai rajapinta-taso ja tilavuus): _____

4. Tason yksiköt (tuumat, senttimetrit, jalat, metrit): _____

5. Mittapään pituus [lueteltu mallitiedoissa mittapään yläpäässä (huom. Y01 = xxx cm)]:

6. Tasopoikkeama (haluttu tasolukema, kun neste on mittapään ääripään kohdalla):

7. Dielektrinen (prosessinesteen dielektrisen vakion alue, rajapintasovelluksissa yläkerroksen dielektrinen vakio): _____

8. Silmukkaohjaus (Ohjataan lähtövirtaa tason vai tilavuuden perusteella?):

9. 4,0 mA:n asetus (Mikä on viitepiste 4,0 mA:n arvolle?): _____

10. 20 mA:n asetus (Mikä on viitepiste 20,0 mA:n arvolle?): _____

Pika-asetus: vaiheet 1–10

1. Valitse mittapään malli (oletus: 7xA-x)

Arvot	Valitse seuraavista:
	7xA-x (7ML1301-1), 7xB-x (7ML1302-1), 7xD-x (7ML1301-2), 7xF-x (7ML1303-1), 7xF-E (7ML1303-1D), 7xF-F (7ML1303-1E), 7xF-4 (7ML1303-1J), 7xF-P (7ML1303-1H), 7xJ-x (7ML1303-2), 7xK-x (7ML1305-1), 7xP-x (7ML1301-3), 7xR-x (7ML1301-4), 7xS-x (7ML1301-5), 7xT-x (7ML1301-6), 7x1-x (7ML1304-1), 7x2-x (7ML1304-2), 7x5-x (7ML1302-2), 7x7-x (7ML1302-3)

2. Valitse mittapään asennustapa (oletus: NPT)

Arvot	NPT
	BSP
	Flange (Laippa)

3. Valitse mittaustapa (oletus: Lvl Only – Vain pinnan korkeus)

Arvot	Lvl	Valitse mittaustapa.
	Lvl&Vol	
	Ifc	
	Ifc&Vol	

4. Valitse tasoyksiköt (oletus: Inches – tuumat)

Arvot	cm
	tuuma
	jalka
	metri

5. Valitse mittapään pituus (oletus: 304,80 cm – 0 tuumaa)

Arvot	Probe Ln xxx.x. Mittapään pituus on painettu nimikilpeen ja tilaustietoihin (ilmoitettu senttimetreinä).
-------	--

6. Valitse tasopoikkeama (oletus: 0 in – 0 tuumaa)

Arvot	Alue: -61 – 762 cm (-24 – 300"). Tasopoikkeama tarkoittaa etäisyyttä mittapään kärjestä haluttuun 0-tasoon. Syötä haluamasi lukema, kun mittapää on kuiva.
-------	--

7. Valitse eristevakio (oletus: 10 – 100)

Arvot	1.4 – 1.7	Valitse aineen eristevakion mukainen alue. Eristevakion avulla LG200 säätää herkkyysasetusta. Oletusarvo riippuu mittapästä (esim. 7ML1301-5:n asetus on välillä 10–100; rajapintamoduulissa – ainoastaan 7ML1301-6 – valitse arvoksi 3–10, 10–100).
	1.7 – 3	
	3 – 10	
	10 – 100	

8. Valitse silmukkaohjaus (oletus: Lvl – Pinnan korkeus)

Arvot	Lvl	Pinnan korkeus	Valitse silmukkavirtaa ohjaavaa muuttuja.
	Lvl&Vol	Pinnan korkeus ja tilavuus	
	Ifc	Pinnan korkeus tai rajapinta	
	Ifc&Vol	Pinnan korkeus, rajapinta, tilavuus, rajapinnan tilavuus	

9. 4 mA laukaisupiste (oletusarvo: 0,00 mm tai 0,00 l)

Arvot	Set 4 mA xxx.x (Määritä 4 mA xxx.x) (Syötä ensisijaisen muuttujan arvo PV 4 mA:n pisteelle).	Syötä pinnan korkeus, joka vastaa 0% tai 4 mA:n lähtövirtaa. Se voi olla pienempi tai suurempi kuin 20 mA:n piste. Jos 4 mA:n ja 20 mA:n pisteille annetaan sama arvo, yksikkö näyttää 3,8 mA, kun taso on laukaisupisteiden alapuolella, ja 20,5 mA, kun taso on laukaisupisteiden yläpuolella. Mittapään ylä- tai alapäässä voi olla pieni siirtymävyöhyke [0–15 cm (6")].
-------	--	--

10. 20 mA laukaisupiste (oletusarvo: 120,0 in tai 396,3 gal)

Arvot	Set 20 mA xxx.x (Määritä 20 mA xxx.x) (Syötä ensisijaisen muuttujan arvo PV 20 mA:n pisteelle).	Syötä pinnan korkeus, joka vastaa 100 % tai 20 mA:n lähtövirtaa. Se voi olla pienempi tai suurempi kuin 4 mA:n piste. Jos 4 mA:n ja 20 mA:n pisteille annetaan sama arvo, yksikkö näyttää 3,8 mA, kun taso on laukaisupisteiden alapuolella, ja 20,5 mA, kun taso on laukaisupisteiden yläpuolella. Mittapään ylä- tai alapäässä voi olla pieni siirtymävyöhyke [0–15 cm (6")].
--------------	--	--

NUOLINÄPPÄIMILLÄ ▲ ▼ palataan **RUN**-käyttötilaan: perusasetus on valmis. Vieritä näyttöä, kunnes näyttöön tulee silmukka.

SITRANS LG200:n viestinvälitys: HART

- Luettelo kaikista käytettävissä olevista parametreista löytyy oppaan laajasta versiosta.
- HART Device Description (DD) on saatavissa HART Communications Foundationilta osoitteesta www.hartcomm.org.
- Suosittelemme käyttämään laitteen ohjelmoinnin yhteydessä SIMATIC Process Device Manageria (PDM).

Huolto

SITRANS LG200 ei normaaleissa käyttöolosuhteissa vaadi huoltoa tai puhdistamista. Toimi seuraavasti, jos laitteen käyttö ääriolosuhteissa edellyttää sen puhdistamista:

1. Valitse puhdistusaine, joka ei vahingoita mittapäätä eikä reagoi prosessinesteeseen kanssa.
2. Poista laite käytöstä ja pyyhi mittapää puhtaaksi kankaalla ja sopivalla puhdistusaineella.

Laitteen korjaaminen ja vastuuvapauslauseke

Katso lisätietoja takakannen sisäsivulta.

SITRANS LG200 Snabbstart manual

Denna manual ger en översikt över de viktigaste egenskaperna och funktionerna hos SITRANS LG200. Vi råder er uttryckligen att skaffa er den detaljerade versionen av manualen så att ni kan få ut det mesta av ert instrument. Den kompletta manualen finns tillgänglig på produktsidan för SITRANS LG200 på vår hemsida på: <https://pia.khe.siemens.com/index.asp?Nr=15361>. Frågor angående innehållet i denna manual kan sändas till:

Siemens Milltronics Process Instruments Inc.
1954 Technology Drive, P.O. Box 4225
Peterborough, Ontario, Kanada, K9J 7B1
E-post: techpubs.smpi@siemens.com

**Copyright Siemens Milltronics
Process Instruments Inc. 2008.
Med ensamrätt**

Ansvarsbegränsning

Vi råder användare att skaffa sig auktoriserade inbundna handböcker, eller att konsultera av Siemens Milltronics Process Instruments Inc. framtagna och utgivna elektroniska versioner. Siemens Milltronics Process Instruments Inc. ansvarar inte för innehållet i ofullständiga eller kompletta kopior av inbundna eller elektroniska versioner.

Trots att vi kontrollerat att innehållet i denna handbok överensstämmer med beskriven instrumentering, kan avvikelser förekomma. Därför kan vi inte garantera full överensstämmelse. Innehållet i denna handbok revideras regelbundet och ändringar tas med i följande versioner. Vi välkomnar alla förslag till förbättringar.

Tekniska data kan komma att ändras utan föregående varsel.

MILLTRONICS är ett registrerat varumärke för Siemens Milltronics Process Instruments Inc.

Riktlinjer för säkerhet

Varningsnotiser måste efterlevas för att din personliga och andras säkerhet skall kunna säkerställas samt skydda produkten och ansluten utrustning. Dessa varningsnotiser åtföljs av anvisningar om den säkerhetsnivå som skall observeras.



WARNING: berör en varningssymbol på produkten. Den innebär att underlåtenhet att efterfölja nödvändiga föreskrifter kan orsaka dödsfall, svår kroppsskada och/eller stor materiell skada.



WARNING¹: innebär att underlåtenhet att efterfölja nödvändiga föreskrifter kan orsaka dödsfall, svår kroppsskada och/eller stor materiell skada.

Anmärkning: innebär viktig information om produkten eller denna del av användarmanualen.

¹ Denna symbol används när det inte finns någon motsvarande varningssymbol på produkten.

SITRANS LG200

- ! VARNING: Ändringar eller modifikationer som inte uttryckligen godkänts av Siemens kan upphäva användarens tillstånd att bruka utrustningen.**

Anmärkningar:

- Denna utrustning har testats och befunnits uppfylla de fordringar och gränser som uppsatts för digitalutrustning av Klass A, med fortsättning till Del 15 av FCC-reglerna. Dessa gränser avses ge skäligt skydd mot skadlig störning när utrustningen används i en industriell miljö.
- Denna utrustning genererar, använder och kan utstråla radiofrekvensenergi samt kan, om den inte installeras och används i enlighet med användarmanualen, förorsaka besvärande störningar av radiokommunikationer. Användning av denna utrustning i bostadsområden kommer troligen att orsaka besvärande störningar, och användaren kommer då att åläggas att avhjälpa störningarna på egen bekostnad.
- SITRANS LG200 skall endast användas på det sätt som anges i denna manual; i annat fall kan det skydd som utrustningen ger visa sig otillräckligt.
- Denna produkt är avsedd att användas i industriområden. Om denna utrustning används i bostadsområden kan den förorsaka störningar på många frekvensbaserade kommunikationer.

SITRANS LG200 är en styrd vågradartransmitter för kort- och medeldistansnivå-, nivå/gränssnitts- och volymmätning av vätskor och fasta ämnen. Den påverkas inte av ändringar i processförhållanden, av höga temperaturer och tryck eller ångor.

SITRANS LG200 stöder HART:s¹ kommunikationsprotokoll, och SIMATIC PDM-programvara.

Specifikationer

För fullständig lista, var god se SITRANS LG200 Användarmanual.

Omgivnings- och drifttemperatur

- Omgivningstemperatur: -40 till +80 °C
- Max. processtemperatur och -tryck: Sondtyp och tryckberoende; se processbricka för detaljer

Effekt



Allmänt syfte:

Fullständigt

antändningssäker:

Explosionssäker:

11 till 36 V DC

¹. HART® är ett registrerat handelsmärke för HART Communications Foundation.

Anmärkning: Apparatens namnskylt listar godkännanden som gäller för er apparat.

- Allmänt syfte CSA/FM, CE, C-TICK
- Icke-antändbara FM Klass I, Div. 1, Grupper A, B, C, D, Klass II, Div. 1, Grupper E, F, G T4, Klass III, Typ 4 IP65
- CSA Klass I, Div. 1, Grupper A, B, C, D, Klass II, Div. 1, Grupper E, F, G T4, Klass III, Typ 4 IP65
- ATEX II 1G EEx ia IIC T4
- Explosionssäker/
Flamsäker FM Klass I, Div 1, Grupper B, C, D, Klass II, Div. 1, Grupper E, F, G T4, Klass III, Typ 4, IP65
- CSA Klass I, Div. 1, Grupper B, C, D, Klass II, Div. 1, Grupper E, F, G T4, Klass III, Typ 4, IP65
- ATEX II 1/2 G EEx d [ja] IIC T6
- ATEX II 1/2 D IP65 T85 °C
- Icke-antändbara FM: Klass I, Div. 2, Grupper A, B, C, D, Klass II, Div. 2, Grupper F, G T4, Klass III, Typ 4, IP65
- CSA Klass I, Div. 2, Grupper A, B, C, D, Klass II, Div. 2, Grupper E, F, G T4, Klass III, Typ 4, IP65
- Gnistfri ATEX II 3G EEx nA [nL] IIC T4 till T6
- ATEX II 3G EEx nA II T4 till T6
- Övriga Funktionell Säkerhet till SIL 1 i överensstämmelse med IEC 61508
Andel ofarliga fel [upptäckta i tid]: Safe Failure Fraction (SFF) på 85,5% (Tredje parts FMEDA-analys – endast maskinvara)
- Funktionell Säkerhet till SIL 2 i enlighet med IEC 61508
Andel ofarliga fel [upptäckta i tid]: Safe Failure Fraction (SFF) på 91% (Tredje parts FMEDA-analys – endast maskinvara)

Tillämpning under tryck



! VARNINGAR:

- **Försök inte att lossa, ta bort eller demontera processanslutningen eller instrumenthöljet medan innehållet i kärlet står under tryck.**
- **Felaktig installation kan orsaka bortfall av processtryck.**

Installation



- **VARNINGAR:**
- Denna produkt kan endast fungera rätt och säkert om den transporteras, lagras, installeras, sätts upp, används och underhålls på rätt sätt.
- Konstruktionsmaterial väljs på basis av dess kemiska kompatibilitet (eller låga reaktionsbenägenhet) för allmänna ändamål. För exponering mot specifika miljöer, kontrollera mot kemiska kompatibilitetstabeller före installation.
- Användaren är ansvarig för val av material i skruvförband och packningar som skall hålla sig inom flänsens gränsvärden och passa för dess avsedda användning och rådande driftförhållanden.

Monteringsplats

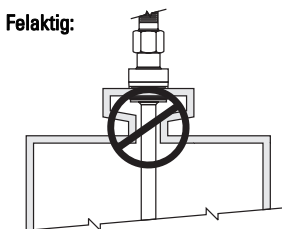
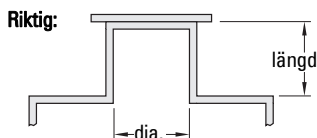
Anmärkning: För kompletta monteringsinstruktioner för alla sondversioner, se SITRANS LG200 instruktionsmanual.

Rekommendationer

- Lätt åtkomlighet för programmering via tryckknappar på apparaten.
- En miljö som höljets skyddsklass och konstruktionsmaterialen klarar.

Försiktighetsåtgärder

- Placera inte isolerande material kring några delar i transmittern SITRANS LG200 inklusive sondflänsen eftersom detta kan leda till överdriven värmebildning.
- Undvik att ha apparaturen i närheten av högspännings- eller strömledningar, högspännings- eller strömkontakter och frekvensvarierande motorvarvvalsstyrningar.
- Undvik störning på emissionskonan från hinder eller från påfyllningsbanan.
- Enkel stång:
 1. Montera inte in munstycken <math>< 50\text{ mm}</math> (2") i diameter.
 2. Montera i applikationer där kvoten diameter:längd är 1:1 eller större. Varje kvot mindre än 1:1 (t.ex. ett 2"x6"-munstycke = 1:3) kan kräva en blockeringsdistans och/eller dielektrisk justering.
 3. Använd inte reducermuffar.
 4. Håll ledande föremål borta från sonden för att säkerställa riktiga prestanda.
- Tvillingstång:
 1. Aktiv stång måste monteras på minst 25 mm (1") avstånd från varje hinder.
 2. Minimum "stillwell" eller munstycksdiameter för sond är 76 mm (3").



Allmän sondmontering

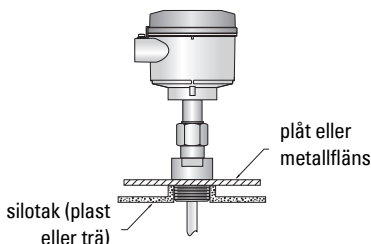
1. Säkerställ att processanslutningen är minst 3/4" NPT för koaxialsonder eller 2" NPT för styva sonder eller är flänsmonterad.
2. Sätt försiktigt in sonden i tanken. Rikta upp packningen på flänsade utföranden.
3. Rikta upp sondens processanslutning med den gängade eller flänsade delen på tanken.
4. För gängade anslutningar, dra åt sexkantsmuttern på sondprocessanslutningen. För flänsade anslutningar, dra åt flänskruvarna.

Installation i icke-metalliska silor

För installation i tankar av icke-metallisk typ eller möjligen öppna tankar, krävs en lämplig referensplatta för att optimera impedansen i den överförda signalen när den går längs sonden. Optimala prestanda kan inte garanteras om en lämplig övergång inte finns tillgänglig i processanslutningen.

Vid användning av enkelstångsversioner (flexibla eller fasta) och en gängad processanslutning, kommer en plåt eller metallfläns att kraftigt förbättra förhållandena eftersom den utgör en lämplig referensplatta.

En flänsad processanslutning anses i allmänhet fullt motsvara denna referensplatta.



Anmärkning: SITRANS LG200 uppfyller kraven på Elektromagnetisk kompatibilitet (EN 61326-1/2006). Enkel- och tvillingstångssonder måste användas i plåttank eller mätbrunn för att uppfylla EU-krav.

Transmitter (kapsling) installation

1. Avlägsna den skyddande plathatten från sondens överdel. Förvara hatten på säkert ställe om transmittern måste tas bort senare.
2. Placera transmittern på sonden. Se noga till att inte böja eller smutsa ner den förgyllda högfrequenskontakten (han-).
3. Rikta upp den universella anslutningen i nederdelen på transmitterhuset mot överdelen på sonden. Dra åt anslutningen för hand.
4. Vrid transmittern så att den hamnar i den riktning som lämpar sig bäst för kabeldragning, konfiguration och insyn.
5. När transmittern vänts i önskad riktning, använd en 38 mm (1 1/2") skruvnyckel för att dra åt universalanslutningen på transmittern till 15 ft-lbs. En vridmomentnyckel rekommenderas uttryckligen. **DETTA ÄR EN KRITISK ANSLUTNING. DEN FÅR INTE BARA VARA HANDÅTDRAGEN.**

Kabeldragning

Effekt

Varningar:



Alla HART-versioner av SITRANS LG200-transmittern arbetar vid spänningar på mellan 11 och 36 V DC. Högre spänning skulle skada transmittern.

Anslutning av SITRANS LG200

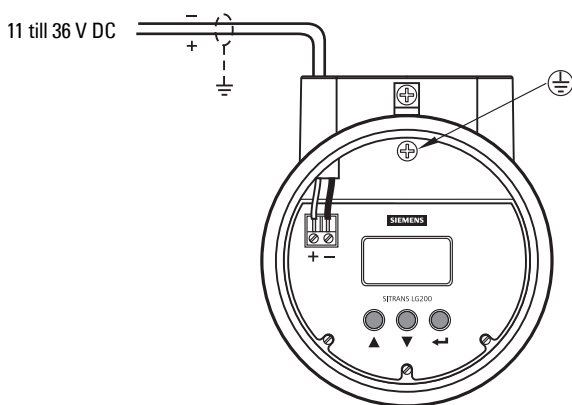
! VARNINGAR:

- Se märkskylt på instrumentet, för att kontrollera angivna värden.
- Godkända damm- och vattentäta ledningstätningar krävs för utomhustypen 4/ NEMA 4, IP65.

Anmärkningar:

- För detaljerade kablingsinstruktioner, var god läs hela Instruktionsmanualen.
- Använd skärmad, partvinnad kabel: 0,5 till 1 mm² (AWG 22 till 18).
- Separata kablar och ledningar¹ kan krävas för att uppfylla standardiserad kabeldragningspraxis, eller elbestämmelser.

Kabeldragning



RUN-läge och PROGRAM-läge

SITRANS LG200 har 2 driftlägen: RUN och PROGRAM.

Efter påslagning, växlar LG200-displayen varannan sekund för att visa ett av fyra värden:

Tillstånd, **Nivå**, **%Utmatning**, och **Kretsström**. I RUN-läge, använd piltangenterna ▲ ▼ för att växla från en visning till nästa. Visningen kan också ställas in individuellt för varje visning.

Tryck i RUN-läge in pilknapparna ▲ ▼ för att rulla till den parameter du vill redigera. Tryck in Enter ← för att koppla till PROGRAM-läge (visar ett utropstecken! som det sista tecknet på den övre visningsraden.)

I PROGRAM-läge, tryck in piltangenterna ▲ ▼ för att öka eller minska värdet och för att gå till nästa val. Håll piltangenterna för snabb rullning.

¹. Om kabel dras genom kanal, använd endast godkända genomföringar av lämplig storlek för vattentät tillämpning.

Snabbstartsprogrammering

1. Avlägsna locket från elektroniken.
2. Använd Ner (▼)-piltangenten för att flytta från ett steg i konfigurationsprogrammet till nästa.
3. Tryck in Enter (↵)-tangenten. Det sista tecknet på den första raden i displayen ändras till ett utropstecken (!).
4. Använd Upp- eller Ner-tangentpilarna ▲ ▼ för att öka eller minska värdet i displayen eller för att rulla genom valen.
5. Tryck in Enter ↵ för att acceptera ett värde och gå vidare till nästa steg i konfigurationsprocessen (standardlösenordet är 0).
6. För att återgå till RUN-läge, rulla till visningsparametrarna (*Status*)
7. Efter införing av det sista värdet, vänta i 10 sekunder innan du stänger av strömmen till transmittern (spara-funktion).

Lösenordsskydd (Standard = 0)

Transmittern SITRANS LG200 är lösenordsskyddad för att begränsa tillträdet till delar i menystrukturen som påverkar systemets drift. I **Program**-läge, när rätt lösenord förts in, är ett utropstecken (!) det sista tecknet på den första raden i displayen. Lösenordet kan ändras till vilket siffrvärde som helst upp till 255. Lösenordet krävs varje gång som konfigurationsvärden ändras.

Standardlösenord är 0. För in ett nytt lösenord i det sista steget i konfigurationsmenyn. Med ett lösenord på 0, är transmittern inte längre lösenordsskyddad och vilket värde som helst i menyn kan ändras utan införing av ett bekräftat lösenord, med undantag av diagnostikvärden.

Enheten förblir oskyddad i fem minuter utan någon knapp intryckt och sedan påläggs lösenordsskyddet.

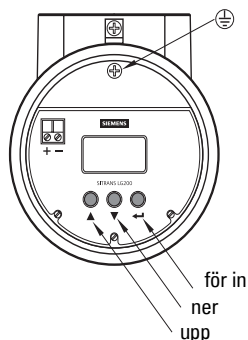
ANMÄRKNING: Om användarlösenordet inte är känt, visar menypositionen New Password (Nytt lösenord) ett krypterat värde som representerar det aktuella lösenordet. Ring fabriken med detta krypterade värde för att få reda på det aktuella lösenordet.

Aktivering av SITRANS LG200

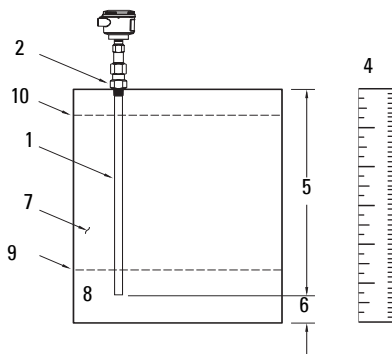
Slå på LG200. Den börjar i **RUN**-läge och displayen visar ett av fyra läsvärden varannan sekund: Tillstånd, Nivå, %Utmatning, och Kretsström.

Tillträde till en parameter

1. Använd **PIL**-tangenterna ▲ ▼ för att rulla till en redigerbar parameter. Håll piltangenterna för snabb rullning.
2. Tryck in **Enter** ↵ för att välja en parameter.
3. Använd **PIL**-tangenterna ▲ ▼ för att välja parametervärdet.
4. Tryck in **Enter** ↵ för att acceptera ett värde och gå vidare till nästa programmeringssteg
5. LCD-displayen visar den nya parametern och värdet.



Snabbstartsprogrammering



1. Sondmodell [Se Sondmärkskylt (7MLxxx-x) (7xX) för detaljer]:

2. Sondmonteringstyp NPT, BSP, eller flänsad [använd artikelnummer för att fastställa Sondmonteringstyp (NPT och BSP) skiljer sig med avseende på införlängd]:

3. Mättyp (endast nivå, volym, gränssnittsnivå, eller gränssnitt Nivå och volym): _____

4. Nivåenheter (tum, centimeter, fot, meter): _____

5. Sondlängd [listad på modellinformation upptill på sonden (Meddelande Y01 = xxx cm)]: _____

6. Nivåförskjutning (Önskad nivåavläsning när vätskan befinner sig i änden på sonden):

7. Dielektrikum (Dielektriskt konstant område i processmedium, övre dielektriskt skikt för gränssnittsapplikationer): _____

8. Kretsstyrning (Is utström som skall styras av nivå eller volym?):

9. Ställ in 4,0 mA (vad är referenspunkten för 4,0 mA-värdet?): _____

10. Ställ in 20 mA (vad är referenspunkten för 20,0 mA-värdet?): _____

Snabbinställning: steg 1 till 10

1. Välj sondmodell (Standard: 7xA-x)

Värden	Välj från:
	7xA-x (7ML1301-1), 7xB-x (7ML1302-1), 7xD-x (7ML1301-2), 7xF-x (7ML1303-1), 7xF-E (7ML1303-1D), 7xF-F (7ML1303-1E), 7xF-4 (7ML1303-1J), 7xF-P (7ML1303-1H), 7xJ-x (7ML1303-2), 7xK-x (7ML1305-1), 7xP-x (7ML1301-3), 7xR-x (7ML1301-4), 7xS-x (7ML1301-5), 7xT-x (7ML1301-6), 7x1-x (7ML1304-1), 7x2-x (7ML1304-2), 7x5-x (7ML1302-2), 7x7-x (7ML1302-3)

2. Välj sondmonteringstyp (Standard: NPT)

Värden	NPT
	BSP
	Flange (Fläns)

3. Välj mätytp (Standard: Endast Lvl)

Värden	Lvl	Välj mätytp.
	Lvl&Vol	
	Ifc	
	Ifc&Vol	

4. Välj Nivåmätenheter (Standard: Tum)

Värden	cm
	tum
	fot
	meter

5. Välj sondlängd (Standard: 120,0 tum)

Värden	Probe Ln xxx.x (Sond Ln xxx.x). Sondlängd är tryckt på märskylt och beställningsinformation (i cm).
--------	---

6. Välj Nivåförskjutning (Standard: 0 tum)

Värden	Område: -61 till 762 cm (-24 till 300"). Nivåförskjutning är avståndet från sondspetsen till den önskade nollnivåpunkten. För in den önskade avläsningen när sonden är torr.
--------	--

7. Välj dielektrikum (Standard: 10 – 100)

Värden	1.4 – 1.7	Välj område som begränsar mediets dielektricitetskonstant. LG200 använder denna dielektrikuminställning för att justera Känslighetsinställningen. Standardinställning är sondberoende (för 7ML1301-5 är inställningen 10–100; för gränssnittsmödel, endast 7ML1301-6, välj från 3–10, 10–100).
	1.7 – 3	
	3 – 10	
	10 – 100	

8. Välj Kretsstyrning (Standard: Lvl)

Värden	Lvl	Nivå	Välj variabel till styrkretsström.
	Lvl&Vol	Nivå och Volym	
	Ifc	Nivå eller Gränssnittsnivå	
	Ifc&Vol	Nivå, Gränssnittsnivå, Volym, Gränssnittsvolym	

9. 4 mA Börvärde (Standard: 0,0 tum eller 0,0 gal)

Värden	Ställ in 4 mA xxx.x (För in PV-värde för 4 mA-punkten).	För in nivån för 0% eller 4 mA-utgång. Den kan vara lägre eller högre än 20 mA-punkten. Om ett 4 mA och ett 20 mA punktvärde förs in med samma värde, kommer enheten att visa 3,8 mA när nivån ligger under börvärdena, och 20,5 mA när nivån ligger över börvärdena. En liten övergångszon [0 till 15 cm (6")] kan finnas upptill eller nertill i sonden.
--------	---	--

10. 20 mA Börvärde (Standard: 120,0 tum eller 396,3 gal)

Värden	Ställ in 20 mA xxx.x (För in PV-värde för 20 mA-punkten).	För in nivån för 100% eller 20 mA-utgång. Den kan vara lägre eller högre än 4 mA-punkten. Om ett 4 mA och ett 20 mA punktvärde förs in med samma värde, kommer enheten att visa 3,8 mA när nivån ligger under börvärdena, och 20,5 mA när nivån ligger över börvärdena. En liten övergångszon [0 till 15 cm (6")] kan finnas upptill eller nertill i sonden.
---------------	--	---

Använd **PIL**-tangenterna ▲ ▼ för att återgå till **RUN**-läge: grundläggande inställning är nu utförd. Rulla fram för att visa krets.

SITRANS LG200 Communications: HART

- Du behöver den detaljerade manualen för att få en lista på tillämpliga parametrar.
- HART Device Description (DD) kan erhållas från HART Communications Foundation på www.hartcomm.org.
- Vi rekommenderar att ni använder SIMATIC Process Device Manager (PDM) för att programmera ert instrument.

Underhåll

SITRANS LG200 kräver vare sig underhåll eller rengöring under normala driftförhållanden. Om rengöring blir nödvändig under svåra driftförhållanden:

1. Notera sondmaterial och processmedium och välj en rengöringslösning som inte är skadlig för någondera.
2. Ta ur anordningen och rengör sonden med en duk och lämplig rengöringslösning.

Reparation och ansvarsbegränsning

För detaljerad information, v.g. se omslagets tredje sida.

Unit Repair and Excluded Liability

All changes and repairs must be done by qualified personnel, and applicable safety regulations must be followed. Please note the following:

- The user is responsible for all changes and repairs made to the device.
- All new components must be provided by Siemens Milltronics Process Instruments Inc.
- Restrict repair to faulty components only.
- Do not re-use faulty components

Reparation af enheden og ansvarsbegrænsning:

Alle ændringer og reparationer skal udføres af kvalificeret personale, og de gældende sikkerhedsbestemmelser skal overholdes.

Bemærk venligst følgende:

- Brugeren er ansvarlig for alle de på apparatet udførte ændringer og reparationer.
- Alle nye komponenter skal være leveret af Siemens Milltronics Process Instruments Inc.
- Reparer kun defekte komponenter.
- Defekte komponenter må ikke genbruges

Geräte Reparatur und Haftungsausschluss:

Alle Änderungen und Reparaturen müssen von qualifiziertem Personal unter Beachtung der jeweiligen Sicherheitsbestimmungen vorgenommen werden. Bitte beachten Sie:

- Der Benutzer ist für alle Änderungen und Reparaturen am Gerät verantwortlich.
- Alle neuen Bestandteile sind von Siemens Milltronics Process Instruments Inc. bereit zu stellen.
- Reparieren Sie lediglich defekte Bestandteile.
- Defekte Bestandteile dürfen nicht wiederverwendet werden.

Επισκευή μονάδας και αποκλειόμενη ευθύνη:

Όλες οι αλλαγές και οι επισκευές πρέπει να πραγματοποιούνται από εξειδικευμένο προσωπικό, και πρέπει να τηρούνται όλοι οι σχετικοί κανόνες ασφαλείας. Σημειώστε τα παρακάτω:

- Ο χρήστης είναι υπεύθυνος για όλες τις αλλαγές και επισκευές που γίνονται στη συσκευή.
- Όλα τα καινούργια εξαρτήματα πρέπει να παρέχονται από τη Siemens Milltronics Process Instruments Inc.
- Περιορίστε τις επισκευές μόνο στα ελαττωματικά εξαρτήματα.
- Μην επαναχρησιμοποιείτε ελαττωματικά εξαρτήματα.

Reparación del dispositivo y límite de responsabilidad:

Las modificaciones y reparaciones deberán ser efectuadas por personal calificado de acuerdo con las normas de seguridad aplicables. Notas importantes:

- El usuario es el único responsable de las modificaciones y reparaciones del dispositivo.
- Recomendamos utilizar sólo recambios originales Siemens Milltronics Process Instruments Inc.
- Reparar sólo los componentes defectuosos.
- Los componentes defectuosos no se deben reutilizar.

Réparation de l'unité et limite de responsabilité :

Les modifications et réparations doivent être effectuées par un personnel qualifié en accord avec les consignes de sécurité applicables.

Remarques importantes :

- L'utilisateur est seul responsable des modifications et réparations effectuées sur l'unité.
- Utiliser seulement des composants fournis par Siemens Milltronics Process Instruments Inc.
- Réparer uniquement les composants défectueux.
- Les composants défectueux ne doivent pas être réutilisés.

Riparazioni dell'apparecchiatura e limiti di responsabilità:

Le modifiche e le riparazioni devono essere effettuate solo da personale qualificato, rispettando le normative sulla sicurezza. Note importanti:

- L'utente è responsabile delle eventuali modifiche e riparazioni effettuate sull'apparecchiatura.
- Utilizzare solo pezzi di ricambio originali forniti da Siemens Milltronics Process Instruments Inc.
- Riparare solo i componenti difettosi.
- È importante non riutilizzare i componenti difettosi.

Reparatie van apparatuur en uitsluiting van aansprakelijkheid:

Alle modificaties en reparaties moeten worden uitgevoerd door gekwalificeerd personeel en de geldende veiligheidsvoorschriften moeten worden aangehouden. Let op:

- De gebruiker is verantwoordelijk voor alle modificaties en reparaties die worden uitgevoerd aan het apparaat.
- Alle nieuwe onderdelen moeten zijn geleverd door Siemens Milltronics Process Instruments Inc.
- Beperk de reparatie uitsluitend tot de defecte componenten.
- Defecte componenten niet opnieuw gebruiken.

Reparação da Unidade e Responsabilidade Excluída

Todas as alterações e reparações devem ser realizadas por pessoal qualificado e devem ser seguidas as regras de segurança aplicáveis. Por favor, note o seguinte:

- O utilizador é responsável por todas as alterações e reparações efectuadas no dispositivo.
- Todos os novos componentes devem ser fornecidos pela Siemens Milltronics Process Instruments Inc.
- Reparação restrita apenas a componentes danificados.
- Não reutilize componentes danificados.

Yksikön korjaaminen ja vastuuvapaus:

Muutos- ja korjaustyöt saa suorittaa ainoastaan pätevä henkilökunta, ja voimassa olevia turvallisuusmääräyksiä on noudatettava. Pyydämme ottamaan huomioon seuraavat seikat:

- Käyttäjä on vastuussa kaikista laitteeseen tehdystä muutoksista ja korjauksista.
- Kaikki uudet osat on hankittava Siemens Milltronics Process Instruments Inc.:ltä.
- Korjaukset on kohdistettava ainoastaan viallisiin osiin.
- Viallisia osia ei saa käyttää uudelleen.

Reparation och ansvarsfrihet:

Alla ändringar och reparationer måste utföras av kompetent personal och under iakttagande av gällande säkerhetsbestämmelser. Observera att:

- Användaren ansvarar för alla ändringar och reparationer som görs på enheten.
- Alla nya delar måste komma från Siemens Milltronics Process Instruments Inc.
- Reparera endast med fel behäftade delar.
- Delar behäftade med fel får ej återanvändas.



www.siemens.com/processautomation

Siemens Milltronics Process Instruments Inc.
1954 Technology Drive, P.O. Box 4225
Peterborough, ON, Canada K9J 7B1
Tel: (705) 745-2431 Fax: (705) 741-0466
Email: techpubs.smpi@siemens.com

© Siemens Milltronics Process Instruments Inc. 2009
Subject to change without prior notice



Printed in Canada

Rev. 1.2